



June 8, 2016  
ML0034 Document Revision Q  
© 2016 by Bitronics, LLC

## TABLE OF CONTENTS

---

<b>1.</b>	<b>IEC61850 IMPLEMENTATION DETAILS.....</b>	<b>2</b>
1.1	Introduction	2
1.2	What is IEC61850?	2
1.3	IEC61850 in the Mx70 IEDs	5
1.4	The data model of Mx70 IEDs	9
1.5	The communication services of Mx70 IEDs	9
1.6	Peer-to-peer (GSE) communications	9
1.7	Ethernet functionality	11

---

<b>2.</b>	<b>PROTOCOL IMPLEMENTATION CONFORMANCE STATEMENT (PICS) .....</b>	<b>13</b>
2.1	Introduction	13
2.2	ACSI basic conformance statement	13
2.3	ACSI models conformance statement	14
2.4	ACSI service conformance statement	15

---

<b>3.</b>	<b>MODEL IMPLEMENTATION CONFORMANCE STATEMENT (MICS) .....</b>	<b>20</b>
3.1	Introduction	20
3.2	Objective	20
3.3	Logical Device definitions	20
3.4	Logical Node definitions	44
3.5	Common Data Class definitions	82
3.6	Common data attribute type definitions	101
3.7	Enumerated type definitions	104
3.8	MMS data-type conversions	111

---

<b>4.</b>	<b>IEC61850 TECHNICAL ISSUES (TISSUES) CONFORMANCE STATEMENT - TICS</b>	<b>113</b>
4.1	Introduction	113
4.2	Tissues considered	113
4.3	Document structure	114
4.4	Document Information (TICS)	114
4.5	Part 5 Standard	115

<b>4.6</b>	<b>Part 6 Standard</b>	<b>116</b>
<b>4.7</b>	<b>Part 7-1 Standard</b>	<b>121</b>
<b>4.8</b>	<b>Part 7-2 Standard</b>	<b>122</b>
<b>4.9</b>	<b>Part 7-3 Standard</b>	<b>144</b>
<b>4.10</b>	<b>Part 7-4 Standard</b>	<b>149</b>
<b>4.11</b>	<b>Part 8-1 Standard</b>	<b>156</b>
<b>4.12</b>	<b>Part 9-1 Standard (Not supported)</b>	<b>163</b>
<b>4.13</b>	<b>Part 9-2 Standard (Not supported)</b>	<b>163</b>
<b>4.14</b>	<b>Part 10 Standard</b>	<b>164</b>
<hr/>		
<b>5.</b>	<b>PROTOCOL IMPLEMENTATION EXTRA INFORMATION FOR TESTING (PIXIT)167</b>	
<b>5.1</b>	<b>Introduction</b>	<b>167</b>
<b>5.2</b>	<b>Document structure</b>	<b>167</b>
<b>5.3</b>	<b>Application Association Model</b>	<b>168</b>
<b>5.4</b>	<b>Server Model</b>	<b>169</b>
<b>5.5</b>	<b>Data Set Model</b>	<b>172</b>
<b>5.6</b>	<b>Substitution Model (not supported)</b>	<b>172</b>
<b>5.7</b>	<b>Setting Group Control Model (not supported)</b>	<b>172</b>
<b>5.8</b>	<b>Reporting Model</b>	<b>173</b>
<b>5.9</b>	<b>Logging Model (Not supported)</b>	<b>175</b>
<b>5.10</b>	<b>Generic Substation Events Model</b>	<b>176</b>
<b>5.11</b>	<b>Control Model</b>	<b>180</b>
<b>5.12</b>	<b>Time and Time Synchronization</b>	<b>182</b>
<b>5.13</b>	<b>File Transfer Model</b>	<b>184</b>
<b>5.14</b>	<b>Transmission of Sampled Values Model (Not supported)</b>	<b>186</b>
<b>5.15</b>	<b>Sub-station Configuration Language</b>	<b>186</b>
<b>5.16</b>	<b>IED Configuration</b>	<b>186</b>

---

**This Bitronics 70 Series IEC61850 Protocol Manual is made up of the following sections**

<b>INTRODUCTION</b>	<b>70 SERIES BACKGROUND INFORMATION</b>
<b>SECTION 1</b>	<b>IEC 61850 IMPLEMENTATION DETAILS</b>
<b>SECTION 2</b>	<b>PROTOCOL IMPLEMENTATION CONFORMANCE STATEMENT (PICS)</b>
<b>SECTION 3</b>	<b>MODEL IMPLEMENTATION CONFORMANCE STATEMENT (MICS)</b>
<b>SECTION 4</b>	<b>TECHNICAL ISSUES (TISSUES) CONFORMANCE STATEMENT (TICS)</b>
<b>SECTION 5</b>	<b>PROTOCOL IMPLEMENTATION EXTRA INFORMATION FOR TESTING (PIXIT)</b>



## 70 SERIES BACKGROUND INFORMATION

### 70 SERIES Firmware Version

The following table provides the most recent firmware and software versions. For best results, the Configurator version used should match with the firmware version. A complete list of firmware and software versions is provided on the 70 Series Utilities CD.

Firmware Versions							
Description	Bios Version	DSP Firmware	Host Firmware	Configurator	ICD file version	Utilities CD	Release Date
M870 Family							
Mx7x Product Release, New Hardware supported Dual Bus, Analog I/O	2.1/3.0*	1.210	2.050	2.31		2.43	03/24/06
Mx7x Updated Release	2.1/3.0*	"	2.060	2.32		2.44	04/14/06
Mx7x Updated Release	2.1/3.0*	1.240	2.120	2.39		2.50	10/01/06
M87x Updated Release	2.1/3.0*	1.240	2.150	2.41		2.52	12/18/06
M87x Product Release, Fault Location, Adjustable Sample Rate	3.40	1.30	2.170	2.43		2.56	12/21/07
M87x Product Release; Add Demand per phase for Watts, VAr, & VA. Configurator & BiView improvements w/ modems. Change to Digital I/O default watchdog contact (Configurator setup; not firmware dependent). Support new version of hardware on P3x, P4x	3.40	1.30	2.18	3.00A		2.57	10/17/08
M87x Product Release: Added 1mHz accuracy on M87x. Improved poll rate from 500ms to 100ms for a single P40 transducer inputs module (M87x). Fault distance configuration is changed. Time sync with respect to DNP master is changed from the DNP master jamming the time to asking the master what time to jam. Increased waveform recording limit from 999 post trigger for	3.40	1.31	2.19	3.02		2.58	09/30/2009
M87x Product Release, IEC61850 & SNTP; Avg 3-Ph Amps and Avg 3-Ph Volts. MCL file v1.01.	3.40	1.30	3.01.0	3.01	1.01	3.01	1/30/2009

Firmware Versions							
Description	Bios Version	DSP Firmware	Host Firmware	Configurator	ICD file version	Utilities CD	Release Date
M87x Product Release: Added 1mHz accuracy on M87x. Improved poll rate from 500ms to 100ms for a single P40 transducer inputs module (M87x). Fault distance configuration is changed. Time sync with respect to DNP master is changed from the DNP master jamming the time to asking the master what time to jam. Increased waveform recording limit from 999 post trigger for	3.40	1.31	3.02	3.02	1.01	3.02	09/30/2009
M87x Product Release: Added virtual I/O to DR. Added Peak Fault Current Measurement. Improved password security. Added support for control characters for SMS.	3.40	1.31	3.04	3.04	1.01	3.04	10/15/2010
M87x Product Release: Added support for dual peak current input range M872 (S16, S17), IEEE C37.232 naming convention, periodic triggering, and 4 IEC 61850 buffered reports	3.40	1.32	3.05	3.05	1.02	3.05	2/28/2011
M87x Product Release: Increased pre- and post-trigger time on disturbance recorders, modified base memory to 1MB	3.40	1.32	3.07	3.07	1.02	3.07	11/11/11
M87x Product Release: Fixed FtN1 failure mode.	3.40	1.32	3.07.3	3.07	1.02	3.07	2/1/2012
M87x Product Release: IED responds with error if client tries to set qchg bit	3.40	1.32	3.07.4	3.07	1.02	3.07	2/15/2012
M57x/87x Release: fixes incorrect error code when trying to set unsupported RCB optional fields.	3.40	1.32	3.07.6	3.07	1.02	3.07	3/13/2012
M57x/87x Release:fixed incorrect neg. error resp. for test SrvN3 (set mismatching data types)	3.40	1.32	3.07.7	3.07	1.02	3.07	3/15/2012
M57x/87x Release:support for H12 & new MMS stack	N/A	1.33	4.00.0	4.00	1.03	4.00	11/30/2012

Firmware Versions							
Description	Bios Version	DSP Firmware	Host Firmware	Configurator	ICD file version	Utilities CD	Release Date
M57x/87x Production Release: Deadbands now supported	N/A	1.33	4.02.0	4.02	1.04	4.02	4/25/13
M57x/87x - TrgOps write w/unsupported bits (Alstom), various fixes	N/A	1.33	4.07.0	4.04	1.04	4.04	10/24/13
M57x/87x – Change BCR actVal TYPE to INT32, add Amp & Vol to TCTR & TVTR, change SPC SBO type to VisString65	N/A	1.33	4.08.0	4.05	1.05	4.04	6/26/14
M57x/87x – fix deadbands reporting value problem	N/A	1.33	4.08.1	4.05	1.05	4.04	7/1/14
M57x/87x – fix IED description strings (vendor, etc) to match SCL (ICD) file	N/A	1.33	4.08.2	4.05	1.05	4.05	7/28/14
M57x/87x – set GOOSE stNum & sqNum to 1 after GoEna transition to TRUE	N/A	1.33 M57x 1.34 M87x	4.08.3	4.06	1.05	n/a	12/15/14
M57x/87x – change ObjectReference length to 65 (Ed 1). It was 129 (Ed2).	N/A	1.33 M57x 1.34 M87x	4.08.4	4.08	1.05	4.08	12/19/14
M87x – Add double point status object for input bit pairs, add IEC61850 support for P33 module.	N/A	1.34	4.11.0	4.11	1.06	4.11	6/8/16

\* H10/H11



## 70 SERIES MANUAL SET

ML0021	M87X User Manual
ML0032	M57X User Manual
ML0022	70 SERIES UCA® Object Model
ML0024	70 SERIES Modbus Plus Module & Protocol
ML0025	70 SERIES Modbus Protocol
ML0026	70 SERIES DNP3 Protocol
ML0027	M870D Remote Display Manual
ML0033	M570Dx Remote Display Manual
ML0034	70 SERIES IEC 61850® Protocol Manual
ML0041	878 DIOD User Manual

## CERTIFICATION

Bitronics, LLC certifies that the calibration of our products is based on measurements using equipment whose calibration is traceable to the United States National Institute of Standards Technology (NIST).

## INSTALLATION AND MAINTENANCE

Bitronics, LLC products are designed for ease of installation and maintenance. As with any product of this nature, installation and maintenance can present electrical hazards and should be performed only by properly trained and qualified personnel. If the equipment is used in a manner not specified by Bitronics, LLC, the protection provided by the equipment may be impaired.

## WARRANTY AND ASSISTANCE

This product is warranted against defects in materials and workmanship for a period of one hundred and twenty (120) months from the date of their original shipment from the factory. Products repaired at the factory are likewise warranted for eighteen (18) months from the date the repaired product is shipped, or for the remainder of the product's original warranty, whichever is greater. Obligation under this warranty is limited to repairing or replacing, at our designated facility, any part or parts that our examination shows to be defective. Warranties only apply to products subject to normal use and service. There are no warranties, obligations, liabilities for consequential damages, or other liabilities on the part of Bitronics, LLC except this warranty covering the repair of defective materials. The warranties of merchantability and fitness for a particular purpose are expressly excluded.

For assistance, contact Bitronics, LLC at:

Phone: +1.610.997.5100

Fax: +1.610.997.5450

Email: [bitronics@novatechweb.com](mailto:bitronics@novatechweb.com)

Website: [www.novatechweb.com/bitronics](http://www.novatechweb.com/bitronics)

### Shipping:

261 Brodhead Road

Bethlehem, PA 18017-8698

USA

## **COPYRIGHT NOTICE**

This manual is copyrighted and all rights are reserved. The distribution and sale of this manual is intended for the use of the original purchaser or his agents. This document may not, in whole or part, be copied, photocopied, reproduced, translated or reduced to any electronic medium or machine-readable form without prior consent of Bitronics LLC, except for use by the original purchaser.

The product described by this manual contains hardware and software that is protected by copyrights owned by one or more of the following entities:

Bitronics, LLC, 261 Brodhead Road, Bethlehem, PA 18017;  
IntervalZero, Inc., 400 Fifth Avenue, 4<sup>th</sup> Floor, Waltham, MA 02451;  
SISCO, Inc., 6605 192 Mile Road, Sterling Heights, MI 48314-1408;  
General Software, Inc., Box 2571, Redmond, WA 98073;  
Schneider Automation, Inc., One High Street, North Andover, MA 01845;  
Triangle MicroWorks, Inc., 2213 Middlefield Court, Raleigh, NC 27615  
Greenleaf Software Inc., Brandywine Place, Suite 100, 710 East Park Blvd, Plano, TX 75074

## **TRADEMARKS**

The following are trademarks or registered trademarks of Bitronics, LLC:

The Bitronics logo      Bitronics      PowerPlex      Triplex      Triple-II  
MultiComm      PowerServe      SubCycle Technology      SubCycleStuf

The following are trademarks or registered trademarks of Alstom Grid, Inc.:

Alstom Grid      the Alstom logo      MiCOM

The following are trademarks or registered trademarks of the DNP User's Group:

DNP      DNP3

The following are trademarks or registered trademarks of the Electric Power Research Institute (EPRI):

UCA      UCA2

The following are trademarks or registered trademarks of Schneider Automation, Inc.:

MODSOFT      Modicon      Modbus Plus      Modbus      Compact 984 PLC

The following are trademarks or registered trademarks of IntervalZero, Inc.:

PharLap      the Phar Lap logo

The following are trademarks or registered trademarks of Systems Integration Specialists Company, Inc. (SISCO):

SISCO      MMS-EASE Lite      AX-S4MMS

The following are trademarks or registered trademarks of General Software, Inc.:

General Software      the GS logo      EMBEDDED BIOS      Embedded DOS

The following are trademarks or registered trademarks of the PCI Industrial Computer Manufacturers Group:

CompactPCI      PICMG the CompactPCI logo      the PICMG logo

## **SAFETY SECTION**

Please refer to the M87x and M57x User Manuals, ML0021 and ML0032 respectively, for information regarding safety, installation, commissioning and decommissioning.

---

## **Section 1**

### **IEC61850 Implementation Details**

---

---

## 1. IEC61850 IMPLEMENTATION DETAILS

### 1.1 Introduction

IEC61850 is the international standard for Ethernet-based communication in substations. It enables integration of all protection, control, measurement and monitoring functions within a substation, and additionally provides the means for interlocking and inter-tripping. It combines the convenience of Ethernet with the security which is essential in substations today.

Bitronics has been involved in the Working Groups which formed the standard, building on experience gained with UCA2.0, the predecessor of IEC61850.

The 70 Series Measurement, Recording and Network I/O IEDs, models M57x and M87x, support the IEC61850 protocol over the Ethernet interface. M57x and M87x models are designed to integrate with substation control systems (ie. Alstom MiCOM protection relays integrated with PACiS substation control systems).

### 1.2 What is IEC61850?

IEC61850 is an international standard, comprised of 14 parts, which defines a communication architecture for electric utility substations.

The standard defines and offers much more than just a protocol. It provides:

- Standardized models for IEDs and other equipment within the substation
- Standardized communication services (the methods used to access and exchange data)
- Standardized formats for configuration files
- Peer-to-peer communication between devices

The standard includes mapping of data onto Ethernet. Using Ethernet in the substation offers many advantages, but most significantly, including:

- High-speed data rates (currently 100 Mbits/s, rather than 10's of kbits/s or less used by most serial protocols)
- Multiple masters (called "clients")
- Ethernet, as an open standard in every-day use

#### 1.2.1 Interoperability

A major benefit of IEC61850 is interoperability. IEC61850 standardizes the data model of substation IEDs. This responds to the utilities' desire of having easier integration for different vendors' products, i.e. interoperability. It means that data is accessed in the same manner in different IEDs from either the same or different IED vendors, even though, for example, the measurement and protection algorithms of different vendors' IED (or device) types remain different.

When a device is described as IEC61850-compliant, this does not mean that it is interchangeable, but it does mean that it is interoperable. You cannot simply replace one product with another, however the terminology is pre-defined and anyone with prior knowledge of IEC 61850 should be able to very quickly integrate a new device without the need for mapping of all of the new data. IEC61850 will inevitably bring improved substation communications and interoperability, at a lower cost to the end user.

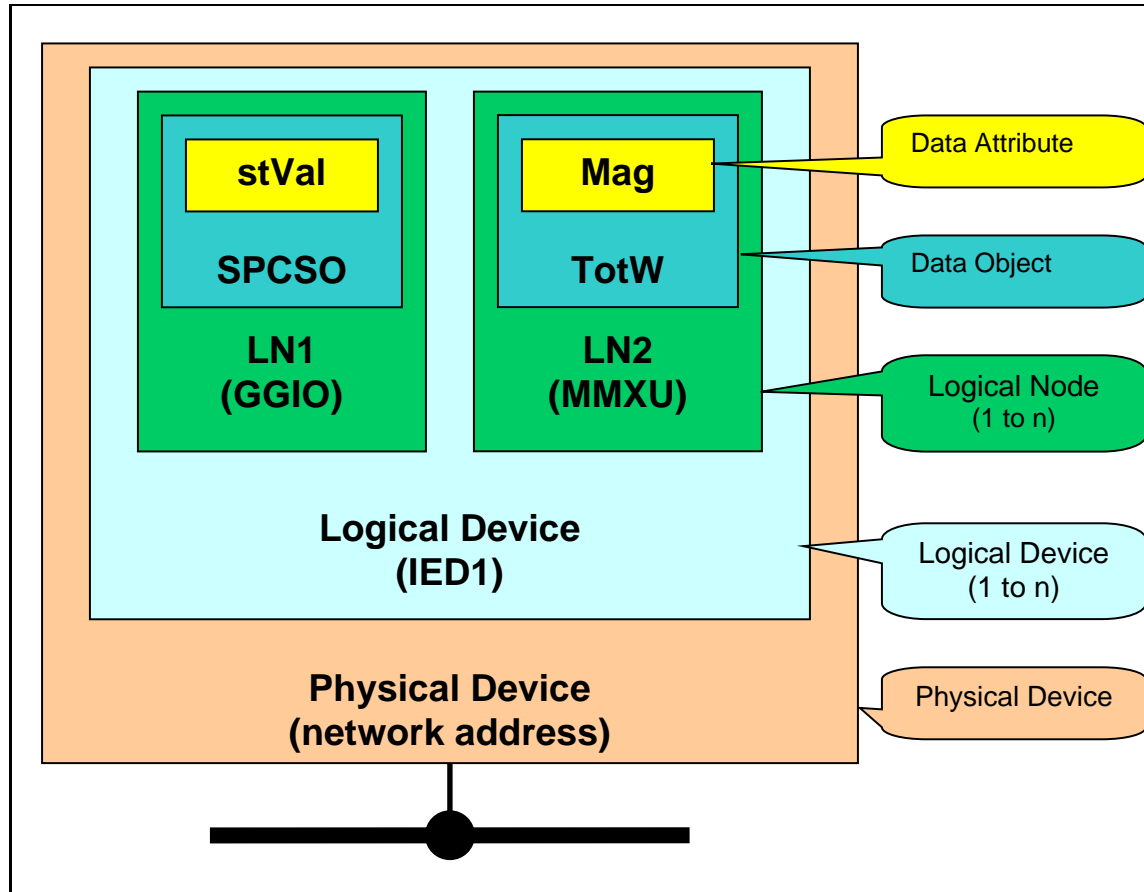
**1.2.2 Summary of 70 Series IEC61850 Features (Based on part 7-2 of the IEC61850 standard)**

This table summarizes the IEC61850 features for M57x or M87x type devices.	
<i>Section 6</i>	Server Model
	<ul style="list-style-type: none"> <li>• 3 logical devices – Measurements, Records, System (Mx71, Mx72) or</li> <li>• 1 logical device – System (M878)</li> <li>• 1 File Directory (of COMTRADE files)</li> </ul>
<i>Section 7</i>	Association
	<ul style="list-style-type: none"> <li>• Two Party Application Association Model – used for normal data and (non - GOOSE) reporting. Includes a simple method to inhibit writing for view-only applications</li> <li>• Multicast Association Model – used for GOOSE messaging</li> </ul>
<i>Section 8</i>	Logical Device
	Mx7x Measurement IEDs
<i>Section 9</i>	Logical Nodes
	<ul style="list-style-type: none"> <li>• 50+ Logical Nodes as defined in the Model Implementation Conformance Statement (MICS). Exact Count is dependent upon device configuration (for example, number of physical I/O points, which can vary based on the installed options )</li> <li>• No pre-defined datasets</li> <li>• 32 pre-defined URCBs (Unbuffered Report Control Blocks) in System/LLN0</li> <li>• 4 pre-defined BRCBs (Buffered Report Control Blocks) in System/LLN0</li> <li>• 8 pre-defined GoCB (GOOSE Control Blocks) in System/LLN0</li> </ul>
<i>Section 10</i>	Data
	<ul style="list-style-type: none"> <li>• Includes all features except access controls (however, the writability of points depends upon association parameters)</li> </ul>
<i>Section 11</i>	Datasets
	<ul style="list-style-type: none"> <li>• 26 definable datasets with FCD/FCDA capability. (A dataset consists of a named list of variables)</li> </ul>
<i>Section 12</i>	Substitution
	NOT SUPPORTED in 70 Series
<i>Section 13</i>	Settings Groups
	NOT SUPPORTED in 70 Series
<i>Section 14</i>	Report Control Blocks (and Reports)
	<ul style="list-style-type: none"> <li>• 32 indexed UCRBs (Unbuffered Report Control Blocks)</li> <li>• Power-on configurability includes cbName (control block name) and DataSet (dataset).</li> <li>• Dynamic configurability includes RptID (report ID), OptFlds (option fields), BufTm (buffer time), and TrgOps (trigger options).</li> <li>• 4 indexed BRCB (Buffered Report Control Blocks).</li> <li>• LCBs (Logic Control Blocks) are UNSUPPORTED</li> <li>• Dynamic RCBs (Report Control Blocks) are UNSUPPORTED. (new RCBs cannot be created after power-on once the configuration reboot occurs to accept the 61850 configuration).</li> </ul>

<i>Section 15</i>	<b>Generic Substation Events – GSE (and GOOSE)</b>
	<ul style="list-style-type: none"> <li>• 8 publishing GOOSEs (with GOOSE Control Block - GoCB)</li> <li>• Power-on configurability includes Control Block name (cbName), Dataset (DatSet), Application ID (AppID), Configuration Revision (confRev) and Dataset Address (DstAddress).</li> <li>• No Dynamic Configurability - only Report Enable (rptEna) can be changed.</li> <li>• 32 subscribing GOOSEs, with 32 booleans and 32 integers/enumerations and 32 floating points (analog) populated in the internal 70 Series database.</li> <li>• No GOOSE management capabilities (these are GetGoReference and GetGOOSEElement).</li> </ul>
<i>Section 16</i>	<b>Sampled Measured Values</b>
	NOT SUPPORTED in 70 Series
<i>Section 17</i>	<b>Controls – Control Models</b>
	<ul style="list-style-type: none"> <li>• Time Activated Operate (TAO) which is “perform operation at a later time” is NOT SUPPORTED.</li> <li>• Operate-many configuration is supported, but can only be set up through the 70 Series Configurator software tool used to set UCA configuration, not in the 61850 IED Configurator software tool.</li> <li>• Pulse time configuration is supported, but can only be setup through the 70 Series Configurator software tool used to set UCA configuration, not in the 61850 IED Configurator software tool.</li> <li>• The following physical inputs are supported – status-only, direct-with-normal-security, sbo-with-normal security (including cancel).</li> <li>• For internal control points (other than Digital outputs), only direct-with-normal-security is supported.</li> <li>• Many controls are status-only (such as Mod.ctl.Val)</li> </ul>
<i>Section 18</i>	<b>Time Synchronization</b>
	<ul style="list-style-type: none"> <li>• Up to 2 SNTP servers using optional many-cast (or any-cast) mode of operation are supported along with configurable polling times. SNTP servers can be polled for configurable time, but only one at a time.</li> </ul>
<i>Section 20</i>	<b>Files</b>
	<ul style="list-style-type: none"> <li>• COMTRADE files are supported.</li> </ul>

### 1.2.3 The data model

To ease understanding, the data model of any IEC61850 IED can be viewed as a hierarchy of information. The categories and naming of this information is standardized in the IEC61850 specification.



**Figure 1: Data model layers in IEC 61850**

The levels of this hierarchy can be described as follows:

- Physical Device
  - Identifies the actual IED within a system. Typically the device's name or IP address can be used. (for example **Feeder\_1** or **192.168.0.254**).
- Logical Device
  - Identifies groups of related Logical Nodes within the Physical Device. For the Mx70 IEDs 3 Logical Devices exist: **Measurements, Records, System**.
- Wrapper/Logical Node Instance
  - Identifies the major functional areas within the IEC 61850 data model. Either 3 or 6 characters are used as a prefix to define the functional group (wrapper) while the actual functionality is identified by a 4 character Logical Node name suffixed by an instance number. For example, GGIO1 (generic

process I/O), MMXU1(measurements Bus 1),  
DmdMMXU1(Present thermal demands for  
Bus 1).

- Data Object
  - This next layer is used to identify the type of data you will be presented with. For example, **SPCSO1** (Digital output 1) of Logical Node type **GGIO**.
- Data Attribute
  - This is the actual data (measurement value, status, description, etc.). For example, **stVal** (status value) indicating actual position of the output contact for Digital output 1 for Data Object type **SPCSO1** of Logical Node type **GGIO**.



### 1.3 IEC61850 in the Mx70 IEDs

IEC61850 can be implemented in the 70 Series of IEDs (M57x, M87x) only when equipped with an Ethernet option. The M87x requires an Ethernet module that is capable of supporting a 100Mb connection. For an M57x it is necessary that the instrument be equipped with a factory installed Ethernet option. The appropriate version of Host firmware and hardware defined below for 70 Series devices is necessary to support the IEC61850 protocol implementation and is required for proper operation. The 70 Series Configurator software and the IEC61850 IED Configurator software (MiCOM S1 Support Software) provide the Configuration tools, which manage the majority of the IEC61850 implementation and data transfer capabilities. An MMS browser is used to view the data.

For M57x and M87x devices to be used with the IEC61850 communication protocol, here are some essential requirements that need to be met for these Mx70 devices to properly operate, namely:

- the Host board must have been manufactured with 64M RAM,
- It is necessary that the Host board has a compact Flash card installed
- The Host firmware version must be version v3.00.0 (or later) which is the version that implements the IEC61850 communications protocol.
- The 70 Series Configurator software must be the proper version in order to support:
  - Creation of new initialization (INI) files: The INI files are required in order to configure the Mx70 device. The 70 Series Configurator creates these INI files and stores them on the Mx70 device in the folder "C:\Config".
  - Creation of the IED Capability Description (ICD) file: The 70 Series ICD file is an IEC61850 Substation Configuration Language (SCL) file which contains the IEC61850 'capability' description of the particular 70 Series IED. It is created by the 70 Series Configurator tool and then used by the IEC61850 IED Configurator tool to perform an IEC61850 configuration. After a new device configuration is created, the 70 Series Configurator tool automatically installs the ICD file in the "C:\Config" folder on the Mx70 device. In addition, the 70 Series Configurator places a second copy of the ICD file in a user-definable location on the local personal computer (PC) for use by the IEC61850 IED Configurator tool. This user-definable location can be set using the "File->Set Templates directory" option in the 70 Series Configurator tool menu. It is recommended this option be set to the location of the "Templates" folder used by the IEC61850 IED Configurator tool (i.e. "..\IED Configurator\Templates"). If necessary, the 70 Series Configurator tool will automatically create two sub-folders named "M57X" and "M87X" where it will place the ICD files specific to each of the M57x and M87x family of devices, respectively.
  - Creation of the MiCOM Configuration Language (MCL) file: The 70 Series MCL file, which contains the IEC61850-specific configuration of the device, is a binary file created by the IEC61850 IED Configurator tool. This tool uses the ICD file as a template from which it can create an IEC61850 device configuration. After configuration is completed and verified, the user can select "Device->Send Configuration" (CTRL+D) menu option to upload the configuration to the device. The user will then be asked to enter the IP address of the device. Two configurations are supported; 'active' and 'inactive'. The program will then prompt the user if they would like the current configuration to be made the active configuration. The two configurations correspond to the following filenames;
    - Active configuration filename - IEC61850\_CONFIG.MCL
    - Inactive configuration filename - IEC61850\_CONFIG.MC2

Finally, the user will be prompted if they would like the Mx70 IED to be automatically restarted. The user should answer 'yes' in order for the active bank switch to take effect during the next power cycle.

The user should also make a backup copy of their configuration. This can be done using the "File-Save" or "File->Save As" menu options which saves a backup copy of the MCL file to the local PC. It should be noted that in addition to creating 'new' IEC61850 configurations using ICD template files, the IED Configurator tool gives the user the ability to **import** and **export** the following types of IEC61850 SCL files;

- Importing -
  - Substation Configuration Description files (SCD)
  - Configured IED Description files (CID)
  - Individual IED Description files (IID)
- Exporting -
  - Configured IED Description files (CID)
  - Individual IED Description files (IID)
  - IED Configuration Description files (ICD)
  - Substation Configuration Description files (SCD)
  - Extensible Markup Language files (XML)

In order to communicate with an IEC61850 device, it is necessary to set its Ethernet IP address. Before configuring an Mx70 device on the TCP/IP network you will need to determine the IP address for the device. An IP address is needed to enter a configuration for an Mx70 device, using the 70 Series Configurator and the IEC61850 IED Configurator software tools. The IP address can be retrieved or changed through the P1 service port (serial port) by establishing a connection through HyperTerminal. (Refer to the relevant Host section in either the M87x or M57x user manual if you need to acquaint yourself with the connection to and operation over the service port P1.) It is recommended that before establishing a TCP/IP connection that the IP address be changed from the factory default address of 192.168.0.254 to the IP address to be assigned for the IED.

A serial connection to the Mx70 device's P1 service port can be used to obtain the IP address from an Mx70 device. The service port operating with HyperTerminal allows the IP address to be retrieved and changed by typing the "ip" command. You are prompted to enter a new IP address.

During the configuration process you will enter the device's IP address. The IP address is entered starting with the 70 Series Configurator while in the Identity menu page. On the Identity menu page, a radio button allows the user to select the source from which the IP address (and SNTP addressing) will be loaded. The IP address can be obtained by either loading it from the INI file or the MCL file. If any change is made to the IP address by way of the "IEC61850 IED Configurator", the IP address may not be written to the Mx70 device's IDENTITY INI file. As a result, it is possible that the 70 Series Configurator Identity page may not indicate the actual IP address. It is always a good practice to determine the IP address before the configuration process is initiated.

In order to communicate with an IEC61850 device, it is necessary to know its Ethernet address. This IP address can then be configured into either:

- An IEC61850 "client" (or master). For example, a computer or Human Machine Interface (HMI).

- An “MMS browser”, with which the full data model can be retrieved from the IED. Note that an MMS browser, such as SISCO’s MMS Object Explorer, may be required in order to browse and verify IEC61850 objects that have been configured for the Mx70 device.

### 1.3.1 Capability

The IEC61850 interface provides the following capabilities:

#### 1. Read access to measurements

All measurands are presented using the measurement Logical Nodes, in the ‘Measurements’ Logical Device. Reported measurement values are refreshed by the IED once per second, in line with the IEDs user interface

#### 2. Generation of unbuffered reports on change of status/measurement

Through the 61850 client, reports are enabled when the RptEna bit is set to a value of 1 in the Unbuffered and Buffered Report Control Blocks (URCB and BRCB). When reports are enabled, any change of state in statuses and/or measurements (which includes ‘measurements’ and such number-of-COMTRADE files, for example “Records/WrxRDRE1\$ST\$FitNum\$stVal”, where the fault number indicates the COMTRADE file count; the COMTRADE file count is the next number to be assigned) are reported to the client. Unbuffered and Buffered Report Control Blocks (URCB and BRCB) can be configured in Mx70 devices by using the “IEC 61850 Configurator” tool, however the client must set the RptEna to 1 in order to enable a report to be sent to the client. For the purpose of viewing the contents of reports, an MMS browser can be used as the client performing that purpose. If using a browser such as SISCO’s MMS Object Explorer, a Report Control Block (RCB) can be enabled by right clicking on the RCB (such as urcb01), selecting “Monitor Reports”, then clicking on the RCB (such as urcb01) and selecting “Enable Reports”.

#### 3. Support for time synchronization over an Ethernet link

Time synchronization is supported using SNTP (Simple Network Time Protocol); this protocol is used to synchronize the internal real time clock in substation devices (i.e., control systems, relays, IEDs). It is recommended that only one method of time synchronization be used for an Mx70 device. Time synchronization issues may be encountered if an Mx70 device operates with multiple clients that are operating from multiple protocols, which rely upon time synchronization from different time sources. The order of priority for time synchronization methods used in Mx70 devices is that IRIG-B time will take priority over UCA time, which will take priority over SNTP time. This allows a more accurate time source to be the over-riding time synchronization source for the Mx70 device.

Use care when selecting a method for time synchronization with 70 Series devices when IEC 61850 protocol and DNP protocol co-exist on the same IED device: In this case, do NOT use the DNP time set command with SNTP (or any of the other time synchronization methods). A DNP set time command will override all other methods of time synchronization, which may result in a time contention between the 2 time sources, where one and then the other will set the time and time may never be able to synchronize correctly.

#### 4. GOOSE peer-to-peer communication

GOOSE communications of statuses are included as part of the IEC61850 protocol implementation. For more details see the section covering Peer-to-peer (GSE) communications.

#### 5. Disturbance record extraction

Extraction of disturbance records, by file transfer, is supported. Available for extraction

are the records created from the 2 Disturbance recorders and the 2 Waveform recorders in the Mx70 device. The record is extracted as an ASCII format COMTRADE file.

Setting changes are not supported in the current IEC61850 implementation. In order to keep this process as simple as possible, such setting changes would be done using the 70 Series Configurator and the "IEC61850 IED Configurator" (MiCOM S1 support software) over the Ethernet link. A reboot of the device is necessary for the configuration to take effect after changing any of the configurable parameters for an Mx70 device.

### 1.3.2 IEC61850 Configuration

One of the main objectives of IEC61850 is to allow IEDs to be directly configured from a configuration file generated at system configuration time. At the system configuration level, the capabilities of the IED are determined from an IED capability description (ICD) file. For Mx70 devices, the ICD file is an output file generated by the 70 Series Configurator software tool. The ICD file is automatically stored in the "C:\Config" folder on the Mx70 device. In order to perform the IEC 61850 configuration of an Mx70 device, it is necessary to load the ICD file that is stored on the Mx70 device onto the hard drive of the computer on which the configuration tools were installed. It is recommended that the ICD file be stored on the user computer's hard drive under the Programs folder where the IEC61850 IED Configurator program is installed (referred to later in this paragraph as "iedcfg"). One such possible example for "iedcfg" is "C:\Program Files\MiCOM S1 Studio\IED Configurator". A sub folder named "Templates" contains subfolders for M57x and M87x devices. If these subfolders do not exist it would be necessary to create them. The "61850 IED Configurator" software requires that the ICD file be loaded as an input file in order to complete the IEC 61850 configuration. Note that the 70 Series Configurator should be able to automatically make and store the ICD file on the PC for the user. The location where the ICD file should be stored is iedcfg\Templates and the M57x and/or M87x folders will automatically be created when the user sets iedcfg\Templates location as the desired location where the ICD file is saved. The browse function can be used from within the IED Configurator to make it easier to load the ICD file once it has been saved on the PC. The 61850 IED Configurator will produce the MiCOM configuration language (MCL) file which contains the IEC 61850 configuration that is loaded into the Mx70 device.

Using a collection of these ICD files from varying products, the entire protection and measurement function of a substation can be designed, configured and tested (using simulation tools) before the product is even installed into the substation.

To aid in this process, the 61850 IED Configurator software tool (included on the CD as MiCOM S1 Studio Support Software) allows the pre-configured IEC 61850 configuration file (an SCD file or CID file) to be imported and transferred to the IED. Alongside this, the requirements of entering a configuration manually are satisfied by allowing the manual creation of configuration files for M57x and M87x devices based on their original IED capability description (ICD) file.

Other features include the extraction of configuration data for viewing and editing, and a sophisticated error checking sequence which ensures that the configuration data is valid for sending to the IED and that the IED will function within the context of the substation.

#### 1.3.2.1 Configuration Banks

To promote version management and minimize down-time during system upgrades and maintenance, the Mx70 devices utilize a storage mechanism consisting of multiple configuration banks. These configuration banks are categorized as:

- Active Configuration Bank (MCL file stored in E:\Config on Mx70 device)
- Inactive Configuration Bank (MC2 file is previous configuration file stored in E:\Config on Mx70 device)

Any new configuration to the Mx70 device will be automatically stored into the inactive configuration bank, therefore not immediately affecting the current configuration

When the upgrade or maintenance stage is complete, the 61850 IED Configurator tool will prompt the user to make the configuration (to a single IED) active. A reboot of the Mx70 device is necessary in order for the configuration to be activated, authorizing the activation of the new configuration contained in the inactive configuration bank, by switching the active and inactive configuration banks. This technique ensures that the system down-time is minimized while enabling the new configuration.

### 1.3.2.2 Network connectivity

**Note:** This section presumes a prior knowledge of IP addressing and related topics. Further details on this topic may be found on the Internet (search for IP Configuration) and in numerous relevant books.

Configuration of the relay IP parameters (IP Address, Subnet Mask, Gateway) and SNTP time synchronization parameters (SNTP Server 1, SNTP Server 2, and polling interval) is performed by the IED Configurator tool, so if these parameters are not available via an SCL file, they must be configured manually.

If the assigned IP address is duplicated elsewhere on the same network, the remote communications will operate in an indeterminate way. However, a check is performed for a conflict on every IP configuration change and at power up. The Mx70 allows other devices to perform duplicate IP address detection.

An Mx70 device can be configured to accept data from networks other than the local network by using the 'Gateway' setting.

## 1.4 The data model of Mx70 IEDs

The data model naming convention, which was adopted in the M57x and M87x family of Measurement, Recording and Network I/O IEDs, has been standardized for consistency. Hence the Logical Nodes are allocated to one of the three Logical Devices; Measurements, Records, or System as appropriate, and the wrapper names used to instantiate Logical Nodes will remain consistent between the M57x and M87x IEDs

The data model is described in the Model Implementation Conformance Statement (MICS) document, which is available as a separate section of this IEC 61850 user manual. The MICS document provides lists of Logical Device definitions, Logical Node definitions, Common Data Class and Attribute definitions, Enumeration definitions, and MMS data type conversions. It generally follows the format used in Parts 7-3 and 7-4 of the IEC 61850 standard.

## 1.5 The communication services of Mx70 IEDs

The IEC 61850 communication services which are implemented in the M57x and M87x IEDs are described in the Protocol Implementation Conformance Statement (PICS) document, which is available within a separate section of this IEC 61850 user manual. The PICS document provides the Abstract Communication Service Interface (ACSI) conformance statements as defined in Annex A of Part 7-2 of the IEC 61850 standard.

## 1.6 Peer-to-peer (GSE) communications

The implementation of IEC 61850 with respect to Generic Substation Events (GSE) sets the way for cheaper and faster inter-device communications amongst control systems, relays and IEDs. The generic substation event model provides the possibility for a fast and reliable system-wide distribution of input and output data values. The generic substation event model is based on the concept of an autonomous decentralization, providing an efficient method allowing the simultaneous delivery of the same generic substation event information to more than one physical device through the use of multicast services.

The use of multicast messaging means that IEC 61850 GOOSE uses a publisher-subscriber system to transfer information around the network\*.

Note: \* Multicast messages cannot be routed across networks without specialized equipment.

When a device detects a change in one of its monitored status points it publishes (i.e. sends) a new message. Any device that is interested in the information subscribes (i.e. listens) to the data it contains.

Each new message is re-transmitted at user-configurable intervals until the maximum interval is reached, in order to overcome possible corruption due to interference, and congestion.

### 1.6.1 Scope (GOOSE messages)

In the Mx70 device database, a maximum of 32 GOOSE binary inputs, 32 GOOSE integer inputs, and 32 GOOSE float (floating point) inputs are available to be mapped directly up to a published dataset in a GOOSE message. All Mx70 published GOOSE signals may contain BOOLEAN, Integer, and Float values. These signals are referred to by the following names:

- GOOSE Binary Input - Ind#, where # will be a number between 1-32,
- GOOSE Integer Input - IntIn#, where # will be a number between 1-32,
- GOOSE Analog Input - AnIn# (floating point), where # will be a number between 1-32,

These inputs for a GOOSE message would be mapped in the IEC61850 IED Configurator. The 61850 IED Configurator tool is used to configure GOOSE publishing and GOOSE subscribing. It is only possible to publish a GOOSE from System/LLN0 in the "IEC61850 IED Configurator". To subscribe to a GOOSE, use System/GosGGIO1 to configure the GOOSE from the "IEC61850 IED Configurator" tool.

Each GOOSE signal contained in a subscribed GOOSE message can be mapped to any of the 32 GOOSE binary inputs, 32 GOOSE integer inputs, and 32 GOOSE float inputs. These virtual inputs used by the GOOSE message allow the mapping to internal logic functions for protection control, directly to output contacts, or to LEDs for monitoring.

Once the binary, integer, and analog points are mapped in a particular application a GOOSE message should be usable in order to cause trigger conditions for other devices (e.g. cross triggering between Mx70 devices), where a 2<sup>nd</sup> IED is configured by programming a trigger condition expected to be contained in the dataset received in a GOOSE message. When the trigger occurs (such as a binary state change) a GOOSE message results, containing a dataset that can be mapped to the 2<sup>nd</sup> IEDs GOOSE inputs (either the binary inputs, integer inputs, or analog floating point inputs) and used to trigger that IED on the network, based on the values or measurements contained in the dataset

The Mx70 IEDs can subscribe to all GOOSE messages but only the following data types can be decoded and mapped to the inputs (binary, integer, and float) supported by the GOOSE.

- BOOLEAN
- BSTR2
- INT16
- INT32
- INT8
- INT16U
- INT32U
- INT8U
- FLOAT32
- SPS
- DPS

#### 1.6.2 IEC61850 GOOSE configuration

All GOOSE configurations are performed via the IED Configurator tool available within the 61850 IED Configurator software tool (available from MiCOM S1 Studio Support Software).

All GOOSE publishing configuration can be found under the 'GOOSE Publishing' tab in the configuration editor window. All GOOSE subscription configurations can be found under the 'External Binding' tab in the configuration editor window. Care should be taken to ensure that the configuration is correct, to ensure efficient GOOSE scheme operation.

The set up (programming of trigger conditions to allow an Mx70 device to be cross triggered from another device's dataset received as a GOOSE message is a typical distributed recorder application for Mx70 devices in a substation.

### 1.7 Ethernet functionality

#### 1.7.1 Ethernet disconnection

IEC61850 'associations' are unique and made to the IED between the client (master) and server (IEC61850 device). In the event that the Ethernet is disconnected, such associations are lost, and will need to be re-established by the client. The TCP\_KEEPALIVE function is implemented in Mx70 devices to monitor each association, and terminate any which are no longer active.

#### 1.7.2 Loss of power

Mx70 devices allow the re-establishment of associations by the client without a negative impact on the IED's operation after having its power removed. As the Mx70 device acts as a server in this process, the client must request the association. When power is lost, reports requested by connected clients are reset and must be re-enabled by the client when it next creates the new association to the IED.

---

**Section 2 PICS**

**Protocol Implementation Conformance Statement**

---



## 2. PROTOCOL IMPLEMENTATION CONFORMANCE STATEMENT (PICS)

### 2.1 Introduction

This section is the **Protocol Implementation Conformance Statement (PICS)** and presents the ACSI conformance statements as defined in Annex A of Part 7-2 of the IEC61850 standard.

The 70 Series IEC61850 standard implementation shall conform to the Protocol Implementation Conformance Statement below:

### 2.2 ACSI basic conformance statement

The basic conformance statement shall be as defined in Table A.1.

**Table A.1 - Basic conformance statement**

		Client/ Subscriber		Server/ Publisher		Value/Comments
<b>Client-Server roles</b>						
B11	<b>Server</b> side (of TWO-PARTY-APPLICATION-ASSOCIATION)	—	—	c1	Y	
B12	<b>Client</b> side of (TWO-PARTY-APPLICATION-ASSOCIATION)	c1	N	—	—	
<b>SCSMs supported</b>						
B21	<b>SCSM:</b> IEC 61850-8-1 used		N		Y	
B22	<b>SCSM:</b> IEC 61850-9-1 used				N	
B23	<b>SCSM:</b> IEC 61850-9-2 used				N	
B24	<b>SCSM:</b> other				N	
<b>Generic substation event model (GSE)</b>						
B31	<b>Publisher</b> side	—	—	O	Y	
B32	<b>Subscriber</b> side	O	Y	—	—	
<b>Transmission of sampled value model (SVC)</b>						
B41	<b>Publisher</b> side	—	—	O	N	
B42	<b>Subscriber</b> side	O	N	—	—	
c1 – shall be 'M' if support for <b>LOGICAL-DEVICE</b> model has been declared. O – Optional M – Mandatory Y – Yes (supported) N – No (not supported)						

**2.3 ACSI models conformance statement**

The ACSI models conformance statement shall be as defined in Table A.2.

**Table A.2 - ACSI models conformance statement**

		Client/ Subscriber		Server/ Publisher		Value/Comments
If <b>Server</b> side (B1) supported						
M1	<b>Logical device</b>	c2	N	c2	Y	
M2	<b>Logical node</b>	c3	N	c3	Y	
M3	<b>Data</b>	c4	N	c4	Y	
M4	<b>Data set</b>	c5	N	c5	Y	
M5	<b>Substitution</b>	O	N	O	N	
M6	<b>Setting group control</b>	O	N	O	N	
<b>Reporting</b>						
M7	<b>Buffered report control</b>	O	N	O	Y	
M7-1	sequence-number				Y	
M7-2	report-time-stamp				Y	
M7-3	reason-for-inclusion				Y	
M7-4	data-set-name				Y	
M7-5	data-reference				Y	
M7-6	buffer-overflow				Y	
M7-7	entryID				Y	
M7-8	BufTim				Y	
M7-9	IntgPd				Y	
M7-10	GI				Y	
M7-11	<b>conf-revision (revision 2 adds this row entry)</b>					
M8	<b>Unbuffered report control</b>	O	N	O	Y	
M8-1	sequence-number				Y	
M8-2	report-time-stamp				Y	
M8-3	reason-for-inclusion				Y	
M8-4	data-set-name				Y	
M8-5	data-reference				Y	
M8-6	BufTim				Y	
M8-7	IntgPd				Y	
M8-8	GI				Y	
M8-9	<b>conf-revision (revision 2 adds this row entry)</b>					
<b>Logging</b>		O	N	O	N	
M9	<b>Log control</b>	O	N	O	N	
M9-1	IntgPd		N		N	
M10	<b>Log</b>	O	N	O	N	
M11	<b>Control</b>	M	N	M	Y	
If <b>GSE</b> (B31/32) is supported						
M12	<b>GOOSE</b>	O	Y	O	Y	
M12-1	entryID (revision 2 removes this row entry)				N	

		Client/ Subscriber		Server/ Publisher		Value/Comments
M12-2	DataRefInc (revision 2 removes this row entry)				N	
M13	<b>GSSE</b>	O	Y	O	Y	
If <b>SVC</b> (B41/42) is supported						
M14	Multicast SVC	O	N	O	N	
M15	Unicast SVC	O	N	O	N	
M16	<b>Time</b>	M	Y	M	N	Time source with required accuracy shall be available
M17	<b>File Transfer</b>	O	N	O	Y	
c2 – shall be 'M' if support for <b>LOGICAL-NODE</b> model has been declared c3 – shall be 'M' if support for <b>DATA</b> model has been declared c4 – shall be 'M' if support for <b>DATA-SET</b> , Substitution, Report, Log Control, or Time model has been declared c5 – shall be 'M' if support for Report, GSE, or SMV models has been declared						

## 2.4 ACSI service conformance statement

The ACSI service conformance statement shall be as defined in Table A.3 (depending on the statements in Table A.1).

**Table A.3 - ACSI service conformance statement**

	Services	AA: TP/MC	Client/ Subscriber		Server/ Publisher		Comments
<b>Server (clause 6)</b>							
S1	ServerDirectory	TP		N	M	Y	
<b>Application association (clause 7)</b>							
S2	Associate		M	N	M	Y	
S3	Abort		M	N	M	Y	
S4	Release		M	N	M	Y	
<b>Logical device (clause 8)</b>							
S5	LogicalDeviceDirectory	TP	M	N	M	Y	
<b>Logical node (clause 9)</b>							
S6	LogicalNodeDirectory	TP	M	N	M	Y	
S7	GetAllDataValues	TP	O	N	M	Y	
<b>Data (clause 10)</b>							
S8	GetDataValues	TP	M	N	M	Y	
S9	SetDataValues	TP	O	N	O	Y	
S10	GetDataDirectory	TP	O	N	M	Y	
S11	GetDataDefinition	TP	O	N	M	Y	
<b>Data set (clause 11)</b>							
S12	GetDataSetValues	TP	O	N	M	Y	

	Services	AA: TP/MC	Client/ Subscriber		Server/ Publisher		Comments
S13	SetDataSetValues	TP	O	N	O	N	
S14	CreateDataSet	TP	O	N	O	N	
S15	DeleteDataSet	TP	O	N	O	N	
S16	GetDataSetDirectory	TP	O	N	O	Y	

Substitution (clause 12)							
S17	SetDataValues	TP	M	N	M	N	

Setting group control (clause 13)							
S18	SelectActiveSG	TP	O	N	O	N	
S19	SelectEditSG	TP	O	N	O	N	
S20	SetSGValues	TP	O	N	O	N	
S21	ConfirmEditSGValues	TP	O	N	O	N	
S22	GetSGValues	TP	O	N	O	N	
S23	GetSGCBValues	TP	O	N	O	N	

Reporting (clause 14)							
Buffered report control block (BRCB)							
S24	Report	TP	c6	N	c6	Y	
S24-1	data-change (dchg)					Y	
S24-2	qchg-change (qchg)					N	
S24-3	data-update (dupd)					N	
S25	GetBRCBValues	TP	c6	N	c6	Y	
S26	SetBRCBValues	TP	c6	N	c6	Y	
Unbuffered report control block (URCB)							
S27	Report	TP	c6	N	c6	Y	
S27-1	data-change (dchg)			N		Y	
S27-2	qchg-change (qchg)			N		N	
S27-3	data-update (dup)			N		N	
S28	GetURCBValues	TP	c6	N	c6	Y	
S29	SetURCBValues	TP	c6	N	c6	Y	
c6 – shall declare support for at least one (BRCB or URCB)							

Logging (clause 14)							
Log control block							
S30	GetLCBValues	TP	M	N	M	N	
S31	SetLCBValues	TP	O	N	M	N	
Log							
S32	QueryLogByTime	TP	c7	N	M	N	
S33	QueryLogAfter	TP	c7	N	M	N	
S34	GetLogStatusValues	TP	M	N	M	N	
c7 – shall declare support for at least one (QueryLogByTime or QueryLogByEntry)							

**Generic substation event model (GSE) (clause 14.3.5.3.4)**

	Services	AA: TP/MC	Client/ Subscriber		Server/ Publisher		Comments
<b>GOOSE-CONTROL-BLOCK</b>							
S35	SendGOOSEMessage	MC	c8	N	c8	Y	
S36	GetGoReference	TP	O	N	c9	N	
S37	GetGOOSEElementNumber	TP	O	N	c9	N	
S38	GetGoCBValues	TP	O	N	O	Y	
S39	SetGoCBValues	TP	O	N	O	Y	
<b>GSSE-CONTROL-BLOCK</b>							
S40	SendGSSEMessage	MC	c8	N	c8	Y	
S41	GetGsReference	TP	O	N	c9	N	
S42	GetGSSEElementNumber	TP	O	N	c9	N	
S43	GetGsCBValues	TP	O	N	O	N	
S44	SetGsCBValues	TP	O	N	O	N	
c8 – shall declare support for at least one (SendGOOSEMessage or SendGSSEMessage) c9 – shall declare support if TP association is available							

<b>Transmission of sampled value model (SVC) (clause 16)</b>							
<b>Multicast SVC</b>							
S45	SendMSVMessage	MC	c10	N	c10	N	
S46	GetMSVCBValues	TP	O	N	O	N	
S47	SetMSVCBValues	TP	O	N	O	N	
<b>Unicast SVC</b>							
S48	SendUSVMessage	TP	c10	N	c10	N	
S49	GetUSVCBValues	TP	O	N	O	N	
S50	SetUSVCBValues	TP	O	N	O	N	
c10 – shall declare support for at least one (SendMSVMessage or SendUSVMessage)							

<b>Control (clause 17.5.1)</b>							
S51	Select	TP	M	N	O	Y	
S52	SelectWithValue	TP	M	N	O	N	
S53	Cancel	TP	O	N	O	Y	
S54	Operate	TP	M	N	M	Y	
S55	Command-Termination	TP	M	N	O	N	
S56	TimeActivated-Operate	TP	O	N	O	N	

<b>File transfer (clause 20)</b>							
S57	GetFile	TP	O	N	M	Y	
S58	SetFile	TP	O	N	O	N	
S59	DeleteFile	TP	O	N	O	Y	
S60	GetFileAttributeValues	TP	O	N	M	Y	

<b>Time (5.5)</b>							
T1	Time resolution of internal clock				20 (1µs)	nearest negative power of 2 in seconds	
T2	Time accuracy of internal clock						T0

	Services	AA: TP/MC	Client/ Subscriber	Server/ Publisher	Comments
					T1
				14 (100µs)	T2
					T3
					T4
					T5
T3	supported TimeStamp resolution	-		20 (1µs)	Nearest value of 2 <sup>n</sup> in seconds according to 5.5.3.7.3.3

---

**Section 3    MICS**

---

**Model Implementation Conformance Statement**

---

### 3. MODEL IMPLEMENTATION CONFORMANCE STATEMENT (MICS)

#### 3.1 Introduction

This specification is the Model Implementation Conformance Statement (MICS) and presents the top-level IEC61850 data model that has been implemented. The definitions of all used Logical Nodes and their associated Common Data Classes, components and associated enumerated values are also included for completeness.

The reader is expected to be conversant with the terminology presented within the IEC61850 part 7 series of specifications.

#### 3.2 Objective

To provide comprehensive details of the standard data object model elements supported by each one of the logical devices - M571, M572 (Dual Feeder), M572 (Breaker & ½), M871, M872 (Dual Feeder), M872 (Breaker & ½.) and M878 (Network I/O). The MICS is conformant to the devices associated ICD (Substation Configuration Language) file, according to part 6 of the IEC61850 standards. The layout of the presented tables within this document is conformant to the Part 7 series of the IEC61850 standard specifications with the following exceptions:

- The "Trigger Options" field is not presented within the data object tables.
- The "M/O" (Mandatory/Optional) field is not present in the data object tables, as the definitions are as deployed within the models
- An additional column "X" is used to signify Bitronics custom objects or attributes

#### 3.3 Logical Device definitions

The Mx70 IEDs implement an IEC61850 server that can contain one or more Logical Devices. Each Logical Device contains a data model built from instances of specific Logical Nodes and must consist of at least an instance of the LPHD Logical Node (which is responsible for providing physical device information) and an instance of the LLN0 Logical Node (for addressing common issues across the Logical Device).

The IEC61850 data model is contained within the Logical Devices detailed in the table below. All Bitronics devices will name the supported Logical Devices consistently to ensure that data model variables with the same purpose will have the same name within each Bitronics server.

Logical Device	Comment/Usage
Control	This Domain is not used in any of the Mx70 Logical Devices
Measurements	Mx70 Series Measurements Domains: Measurement Domains are used for each Measurements Logical Devices.  M571, M572 Dual Feeder, M572 Breaker & ½ M871, M872 Dual Feeder, M872 Breaker & ½
Protection	This Domain is not used in any of the Mx70 Logical Devices
Records	Mx70 Series Records Domain for the Records Logical Devices:  M571, M572 Dual Feeder, M572 Breaker & ½ M871, M872 Dual Feeder, M872 Breaker & ½
System	Mx70 Series System Domain for the System Logical Devices:  M571, M572 Dual Feeder, M572 Breaker & ½ M871, M872 Dual Feeder, M872 Breaker & ½



Logical Device	Comment/Usage
	M878 Network I/O

3.3.1 IEC61850 logical device data model

The IEC61850 Logical Device top-level data model consists of instances of Logical Nodes. The data model name for a Logical Node instance is constructed from an optional prefix (known as the wrapper), the Logical Node name, and an instance ID (or suffix).

The data models for each of the logical devices are presented in this document. The logical order is used to describe each of the physical devices. However, when it comes to the data objects, data attributes and enumeration tables these are alphabetically sorted so that searching is made easier.

The following Tables indicate the Logical Node Description Lists. The “LN Types” that are used for all Mx70 measurement products are found in Tables 1-7. It is necessary to use the “LN Types” indicated to create the mapping necessary for the “LN Instance”. There are tables for each of the following: M571, M572 Dual Feeder, M572 Breaker & ½, M871, M872 Dual Feeder, M872 Breaker & ½ and M878 Network I/O. LN Type is remapped to LN Instance in order to define each Logical Node per the standard, IEC61850 Part 7. Tables 1-7 define the logical devices, while table 8 defines the “LN Types”.

**Note 1 (applies for M87x tables 4-7):** GGIOx - The GGIO suffix number indicated by x in the LN instance name represents the logical slot number that has been configured through the 70 Series Configurator. A maximum number of seven (7) times the number of logical nodes are possible with an M87x due to the logical slot configuration for LN Instance. It is possible for the GGIO logical slots to range from 1 though 7 for M87x. (i.e. GGIO1-GGIO7), which differs from M57x where the number of logical slots is fixed at 1 (i.e. GGIO1).

During Configuration, Digital I/O slot numbers 0-6 map to logical slots GGIO1-GGIO7. Transducer (Analogue) Input slot numbers 1-7 map to logical slots GGIO1-GGIO7. For Digital I/O modules, P30 and P31, the slot numbers 0-6 must be incremented by 1 to obtain the GGIOx logical slot number, however for Transducer Input module P40 the assigned slot number is the GGIO logical slot number. For example if two Digital I/O modules are assigned to logical slot numbers 0 and 2 and one Transducer (Analogue) Input module is assigned logical slot 3, then GGIO1 would consist of one Digital I/O module, while GGIO3 would consist of 1 Digital I/O and 1 Transducer input module. However, if the two Digital I/O modules are assigned to logical slot numbers 0 and 3 and the (Analogue) Transducer Input module is assigned logical slot 3, then GGIO1 would consist of one Digital I/O module, GGIO3 would consist of 1 Transducer input module, and GGIO4 would consist of 1 Digital I/O module.

For M87x models the total number of logical slots will depend upon the chassis size, the number of slots that can be assigned for GGIO, and whether the digital and analogue are grouped together (such as P30+P40 grouped together to represent one logical node) or kept separate.

Please note that the P32 I/O wrap-around module serves a specialized function, and therefore is not included in the IEC61850 object model for M87x Series IEDs.

**Table 1 – M571**

LD	LN Instance	LN Type	Description
<b>Measurements</b>			
	LLN0	LLN0_0	Measurements Logical Device
	LPHD1	LPHD_0	Physical Device Information
	MMXU1	MMXU_10	M571 Bus 1 (V,A,W,VAr) Measurements (LN is extended to include custom measurements)
	MMXU2	MMXU_11	M571 Bus 2 (V) Measurements (LN is extended to include custom measurements)
	FndMMXU1	MMXU_7	Fundamental of Bus 1 (MMXU1) Measurements
	FndMMXU2	MMXU_8	Fundamental of Bus 2 (MMXU2) Measurements
	DmdMMXU1	MMXU_1	Present Thermal Demands of Bus 1 (MMXU1) Measurements
	DmdMMXU2	MMXU_2	Present Thermal Demands of Bus 2 (MMXU2) Measurements
	DmnMMXU1	MMXU_3	Minimum Thermal Demands of Bus 1 (MMXU1)
	DmnMMXU2	MMXU_2	Minimum Thermal Demands of Bus 2 (MMXU2)
	DmxMMXU1	MMXU_1	Maximum Thermal Demands of Bus 1 (MMXU1)
	DmxMMXU2	MMXU_2	Maximum Thermal Demands of Bus 2 (MMXU2)
	FndDmdMMXU1	MMXU_5	Fundamental Thermal Demands of Bus 1 (MMXU1)
	FndDmxMMXU1	MMXU_5	Fundamental Maximum Thermal Demands of Bus 1 (MMXU1)
	MMTR1	MMTR_0	Bus 1 Energy Metering Measurement (LN is extended to include custom measurements)
	MSQI1	MSQI_0	Bus 1 Sequence Components (Volts & Amps)
	MSQI2	MSQI_1	Bus 2 Sequence Components (Volts only)
	MHAI1	MHAI_2	Bus 1 Harmonics (Volts & Amps) including individual harmonics, phase related K factor and harmonic demand (LN is extended to include custom measurements)
	MHAI2	MHAI_3	Bus 2 Harmonics (Volts only) including individual harmonics and harmonic demand (LN is extended to include custom measurements)
	DmdMHAI1	MHAI_0	Present Thermal Demands for Bus 1 (MHAI1)
	DmdMHAI2	MHAI_1	Present Thermal Demands for Bus 2 (MHAI2) - Volts only
	DmnMHAI1	MHAI_1	Minimum Thermal Demands for Bus 1 (MHAI1) -No minimum Amp demands
	DmnMHAI2	MHAI_1	Minimum Thermal Demands for Bus 2 (MHAI2) - Volts only
	DmxMHAI1	MHAI_0	Maximum Thermal Demands for Bus 1 (MHAI1)
	DmxMHAI2	MHAI_1	Maximum Thermal Demands for Bus 2 (MHAI2) - Volts only
	MLFK1	MLFK_0	Voltage Flicker Bus 1 Measurement (Custom LN)
	MLFK2	MLFK_0	Voltage Flicker Bus 2 Measurement (Custom LN)
	MSYN1	MSYN_0	Synch check Bus1 to Bus 2 Phase A (Custom LN)

LD	LN Instance	LN Type	Description
<b>Measurements</b>			
	MSYN2	MSYN_0	Synch check Bus1 to Bus 2 Phase B (Custom LN)
	MSYN3	MSYN_0	Synch check Bus1 to Bus 2 Phase C (Custom LN)
	MADV1	MADV_0	Advanced Measurements Bus 1 (Custom LN)
	MFLO1	MFLO_0	Fault Distance Measurement Bus 1 (Custom LN)
	MTMP1	MTMP_0	Temperature Measurement - internal ambient (Custom LN)
<b>Records</b>			
	LLN0	LLN0_0	Records Logical Device
	LPHD1	LPHD_0	Physical Device Information
	WrxRDRE1	RDRE_0	Waveform Recorder 1
	WrxRDRE2	RDRE_0	Waveform Recorder 2
	DrxRDRE1	RDRE_0	Disturbance Recorder 1
	DrxRDRE2	RDRE_0	Disturbance Recorder 2
<b>System</b>			
	LLN0	LLN0_1	System Logical Device Can only Publish GOOSE in System/LLN0
	LPHD1	LPHD_0	Physical Device Information
	GosGGIO1	GGIO_8	GOOSE Input Status (GOOSE Subscriptions are done here)
	TVTR1	TVTR_0	Voltage Transformer Phase A Bus 1
	TVTR2	TVTR_0	Voltage Transformer Phase B Bus 1
	TVTR3	TVTR_0	Voltage Transformer Phase C Bus 1
	TVTR4	TVTR_0	Voltage Transformer Phase N Bus 1
	TVTR5	TVTR_0	Voltage Transformer Phase A Bus 2
	TVTR6	TVTR_0	Voltage Transformer Phase B Bus 2
	TVTR7	TVTR_0	Voltage Transformer Phase C Bus 2
	TVTR8	TVTR_0	Voltage Transformer Phase N Bus 2
	TCTR1	TCTR_0	Current Transformer Phase A Bus 1
	TCTR2	TCTR_0	Current Transformer Phase B Bus 1
	TCTR3	TCTR_0	Current Transformer Phase C Bus 1
<b>I/O Options (GGIO Logical slot number is fixed at 1).</b>			
Choose option based on logical slot configuration	No GGIO option	No GGIO option	No generic Process I/O
Choose option based on logical slot configuration	GGIO1	GGIO_0	Generic Process I/O GGIO for M57x : 4DI/4DO
Choose option based on logical slot configuration	GGIO1	GGIO_3	Generic Process I/O GGIO for M57x : 4DI/4DO/4AI
Choose option based on logical slot configuration	GGIO1	GGIO_6	Generic Process I/O GGIO for M57x : /4AI

LD	LN Instance	LN Type	Description
<b>Measurements</b>			
	GosGGIO2	GGIO_9	Generic Process I/O – 32 Virtual Output signals

**Table 2 – M572 Dual Feeder**

LD	LN Instance	LN Type	Description
<b>Measurements</b>			
	LLN0	LLN0_0	Measurements Logical Device
	LPHD1	LPHD_0	Physical Device Information
	MMXU1	MMXU_10	M572 Bus 1 (V,A,W,VAr) Measurements (LN is extended to include custom measurements)
	MMXU2	MMXU_10	M572 Bus 2 (V,A,W,VAr) Measurements (LN is extended to include custom measurements)
	MMXN1	MMXN_0	M572 Dual Feeder Voltage Reference 1 (V)
	MMXN2	MMXN_0	M572 Dual Feeder Voltage Reference 2 (V)
	FndMMXU1	MMXU_7	Fundamental of Bus 1 (MMXU1) Measurements
	FndMMXU2	MMXU_7	Fundamental of Bus 2 (MMXU2) Measurements
	DmdMMXU1	MMXU_1	Present Thermal Demands of Bus 1 (MMXU1) Measurements
	DmdMMXU2	MMXU_1	Present Thermal Demands of Bus 2 (MMXU2) Measurements
	DmnMMXU1	MMXU_3	Minimum Thermal Demands of Bus 1 (MMXU1)
	DmnMMXU2	MMXU_3	Minimum Thermal Demands of Bus 2 (MMXU2)
	DmxMMXU1	MMXU_1	Maximum Thermal Demands of Bus 1 (MMXU1)
	DmxMMXU2	MMXU_1	Maximum Thermal Demands of Bus 2 (MMXU2)
	FndDmdMMXU1	MMXU_5	Fundamental Thermal Demands of Bus 1 (MMXU1)
	FndDmdMMXU2	MMXU_5	Fundamental Thermal Demands of Bus 2 (MMXU2)
	FndDmxMMXU1	MMXU_5	Fundamental Maximum Thermal Demands of Bus 1 (MMXU1)
	FndDmxMMXU2	MMXU_5	Fundamental Maximum Thermal Demands of Bus 2 (MMXU2)
	MMTR1	MMTR_0	Bus 1 Energy Metering Measurement (LN is extended to include custom measurements)
	MMTR2	MMTR_0	Bus 2 Energy Metering Measurement (LN is extended to include custom measurements)
	MSQI1	MSQI_0	Bus 1 Sequence Components (Volts & Amps)
	MSQI2	MSQI_0	Bus 2 Sequence Components (Volts & Amps)
	MHAI1	MHAI_2	Bus 1 Harmonics (Volts & Amps) including individual harmonics, phase related K factor and harmonic demand (LN is extended to include custom measurements)
	MHAI2	MHAI_2	Bus 2 Harmonics (Volts & Amps) including individual harmonics, phase related K factor and harmonic demand (LN is extended to include custom measurements)
	DmdMHAI1	MHAI_0	Present Thermal Demands for Bus 1 (MHAI1)
	DmdMHAI2	MHAI_0	Present Thermal Demands for Bus 2 (MHAI2)
	DmnMHAI1	MHAI_1	Minimum Thermal Demands for Bus 1 (MHAI1) - (No minimum Amp demands)

LD	LN Instance	LN Type	Description
<b>Measurements</b>			
	DmnMHA12	MHA1_1	Minimum Thermal Demands for Bus 2 (MHA12) - No minimum Amp demands
	DmxMHA11	MHA1_0	Maximum Thermal Demands for Bus 1 (MHA11)
	DmxMHA12	MHA1_0	Maximum Thermal Demands for Bus 2 (MHA12)
	MLFK1	MLFK_0	Voltage Flicker Bus 1 Measurement (Custom LN)
	MLFK2	MLFK_0	Voltage Flicker Bus 2 Measurement (Custom LN)
	MSYN1	MSYN_0	Synch check Bus 1 Phase A to VREF1 for M572 (Dual Feeder) (Custom LN)
	MSYN2	MSYN_0	Synch check Bus 1 Phase B to VREF1 (Custom LN)
	MSYN3	MSYN_0	Synch check Bus 1 Phase C to VREF1 (Custom LN)
	MSYN4	MSYN_0	Synch check Bus 1 Phase A to VREF2 (Custom LN)
	MSYN5	MSYN_0	Synch check Bus 1 Phase B to VREF2 (Custom LN)
	MSYN6	MSYN_0	Synch check Bus 1 Phase C to VREF2 (Custom LN)
	MADV1	MADV_0	Advanced Measurements Bus 1 (Custom LN)
	MADV2	MADV_0	Advanced Measurements Bus 2 (Custom LN)
	MFLO1	MFLO_0	Fault Distance Measurement Bus 1 (Custom LN)
	MFLO2	MFLO_0	Fault Distance Measurement Bus 2 (Custom LN)
	MTMP1	MTMP_0	Temperature Measurement – Internal ambient (Custom LN)
<b>Records</b>			
	LLN0	LLN0_0	Records Logical Device
	LPHD1	LPHD_0	Physical Device Information
	WrxRDRE1	RDRE_0	Waveform Recorder 1
	WrxRDRE2	RDRE_0	Waveform Recorder 2
	DrxRDRE1	RDRE_0	Disturbance Recorder 1
	DrxRDRE2	RDRE_0	Disturbance Recorder 2
<b>System</b>			
	LLN0	LLN0_1	System Logical Device Can only Publish GOOSE in System/LLN0
	LPHD1	LPHD_0	Physical Device Information
	GosGGIO1	GGIO_8	GOOSE Input Status (GOOSE Subscriptions are done here)
	TVTR1	TVTR_0	Voltage Transformer Phase A Bus 1
	TVTR2	TVTR_0	Voltage Transformer Phase B Bus 1
	TVTR3	TVTR_0	Voltage Transformer Phase C Bus 1
	TVTR4	TVTR_0	Voltage Transformer Phase N Bus 1
	TVTR5	TVTR_0	Voltage Transformer Phase A Bus 2
	TVTR6	TVTR_0	Voltage Transformer Phase B Bus 2

LD	LN Instance	LN Type	Description
<b>Measurements</b>			
	TVTR7	TVTR_0	Voltage Transformer Phase C Bus 2
	TVTR8	TVTR_0	Voltage Transformer Phase N Bus 2
	TVTR9	TVTR_0	Voltage Transformer for Vref1
	TVTR10	TVTR_0	Voltage Transformer for Vref2
	TCTR1	TCTR_0	Current Transformer Phase A Bus 1
	TCTR2	TCTR_0	Current Transformer Phase B Bus 1
	TCTR3	TCTR_0	Current Transformer Phase C Bus 1
	TCTR5	TCTR_0	Current Transformer Phase A Bus 2
	TCTR6	TCTR_0	Current Transformer Phase B Bus 2
	TCTR7	TCTR_0	Current Transformer Phase C Bus 2
<b>System I/O Options (GGIO Logical slot number is fixed at 1).</b>			
Choose option based on logical slot configuration	No GGIO option	No GGIO option	No generic Process I/O
Choose option based on logical slot configuration	GGIO1	GGIO_0	Generic Process I/O GGIO for M57x : 4DI/4DO
Choose option based on logical slot configuration	GGIO1	GGIO_3	Generic Process I/O GGIO for M57x : 4DI/4DO/4AI
Choose option based on logical slot configuration	GGIO1	GGIO_6	Generic Process I/O GGIO for M57x : /4AI
	GosGGIO2	GGIO_9	Generic Process I/O – 32 Virtual Output signals

**Table 3 – M572 Breaker and ½**

LD	LN Instance	LN Type	Description
<b>Measurements</b>			
	LLN0	LLN0_0	Measurements Logical Device
	LPHD1	LPHD_0	Physical Device Information
	MMXU1	MMXU_10	M572 Bus 1 (V,A,W,VAr) Measurements (LN is extended to include custom measurements)
	MMXU2	MMXU_10	M572 Bus 2 (V,A,W,VAr) Measurements (LN is extended to include custom measurements)
	FndMMXU1	MMXU_7	Fundamental of Bus 1 (MMXU1) Measurements
	FndMMXU2	MMXU_7	Fundamental of Bus 2 (MMXU2) Measurements
	DmdMMXU1	MMXU_1	Present Thermal Demands of Bus 1 (MMXU1) Measurements
	DmdMMXU2	MMXU_1	Present Thermal Demands of Bus 2 (MMXU2) Measurements
	DmnMMXU1	MMXU_3	Minimum Thermal Demands of Bus 1 (MMXU1)
	DmnMMXU2	MMXU_3	Minimum Thermal Demands of Bus 2 (MMXU2)
	DmxMMXU1	MMXU_1	Maximum Thermal Demands of Bus 1 (MMXU1)
	DmxMMXU2	MMXU_1	Maximum Thermal Demands of Bus 2 (MMXU2)
	FndDmdMMXU1	MMXU_5	Fundamental Thermal Demands of Bus 1 (MMXU1)
	FndDmdMMXU2	MMXU_5	Fundamental Thermal Demands of Bus 2 (MMXU2)
	FndDmxMMXU1	MMXU_5	Fundamental Maximum Thermal Demands of Bus 1 (MMXU1)
	FndDmxMMXU2	MMXU_5	Fundamental Maximum Thermal Demands of Bus 2 (MMXU2)
	MMTR1	MMTR_0	Bus 1 Energy Metering Measurement (LN is extended to include custom measurements)
	MMTR2	MMTR_0	Bus 2 Energy Metering Measurement (LN is extended to include custom measurements)
	MSQI1	MSQI_0	Bus 1 Sequence Components (Volts & Amps)
	MSQI2	MSQI_0	Bus 2 Sequence Components (Volts & Amps)
	MHAI1	MHAI_2	Bus 1 Harmonics (Volts & Amps) including individual harmonics, phase related K factor and harmonic demand (LN is extended to include custom measurements)
	MHAI2	MHAI_2	Bus 2 Harmonics (Volts & Amps) including individual harmonics, phase related K factor and harmonic demand (LN is extended to include custom measurements)
	DmdMHAI1	MHAI_0	Present Thermal Demands for Bus 1 (MHAI1)
	DmdMHAI2	MHAI_0	Present Thermal Demands for Bus 2 (MHAI2)
	DmnMHAI1	MHAI_1	Minimum Thermal Demands for Bus 1 (MHAI1) - No minimum Amp demands
	DmnMHAI2	MHAI_1	Minimum Thermal Demands for Bus 2 (MHAI2) - No minimum Amp demands
	DmxMHAI1	MHAI_0	Maximum Thermal Demands for Bus 1 (MHAI1)



LD	LN Instance	LN Type	Description
<b>Measurements</b>			
	DmxMHAI2	MHAI_0	Maximum Thermal Demands for Bus 2 (MHAI2)
	MLFK1	MLFK_0	Voltage Flicker Bus 1 Measurement (Custom LN)
	MLFK2	MLFK_0	Voltage Flicker Bus 2 Measurement (Custom LN)
	MSYN1	MSYN_0	Synch check Bus1 to Bus 2 Phase A for M572 Breaker & ½ (Custom LN)
	MSYN2	MSYN_0	Synch check Bus1 to Bus 2 Phase B for M572 Breaker & ½ (Custom LN)
	MSYN3	MSYN_0	Synch check Bus1 to Bus 2 Phase C for M572 Breaker & ½ (Custom LN)
	MADV1	MADV_0	Advanced Measurements Bus 1 (Custom LN)
	MADV2	MADV_0	Advanced Measurements Bus 2 (Custom LN)
	MFLO1	MFLO_0	Fault Distance Measurement Bus 1 (Custom LN)
	MFLO2	MFLO_0	Fault Distance Measurement Bus 2 (Custom LN)
	MTMP1	MTMP_0	Temperature Measurement – Internal ambient (Custom LN)
<b>Records</b>			
	LLN0	LLN0_0	Records Logical Device
	LPHD1	LPHD_0	Physical Device Information
	WrxRDRE1	RDRE_0	Waveform Recorder 1
	WrxRDRE2	RDRE_0	Waveform Recorder 2
	DrxRDRE1	RDRE_0	Disturbance Recorder 1
	DrxRDRE2	RDRE_0	Disturbance Recorder 2
<b>System</b>			
	LLN0	LLN0_1	System Logical Device Can only Publish GOOSE in System/LLN0
	LPHD1	LPHD_0	Physical Device Information
	GosGGIO1	GGIO_8	GOOSE Input Status (GOOSE Subscriptions are done here)
	TVTR1	TVTR_0	Voltage Transformer Phase A Bus 1
	TVTR2	TVTR_0	Voltage Transformer Phase B Bus 1
	TVTR3	TVTR_0	Voltage Transformer Phase C Bus 1
	TVTR4	TVTR_0	Voltage Transformer Phase N Bus 1
	TVTR5	TVTR_0	Voltage Transformer Phase A Bus 2
	TVTR6	TVTR_0	Voltage Transformer Phase B Bus 2
	TVTR7	TVTR_0	Voltage Transformer Phase C Bus 2
	TVTR8	TVTR_0	Voltage Transformer Phase N Bus 2
	TCTR1	TCTR_0	Current Transformer Phase A Bus 1
	TCTR2	TCTR_0	Current Transformer Phase B Bus 1
	TCTR3	TCTR_0	Current Transformer Phase C Bus 1
	TCTR5	TCTR_0	Current Transformer Phase A Bus 2
	TCTR6	TCTR_0	Current Transformer Phase B Bus 2

LD	LN Instance	LN Type	Description
<b>Measurements</b>			
	TCTR7	TCTR_0	Current Transformer Phase C Bus 2

<b>System I/O Options (GGIO Logical slot number is fixed at 1).</b>			
Choose option based on logical slot configuration	No GGIO option	No GGIO option	No generic Process I/O
Choose option based on logical slot configuration	GGIO1	GGIO_0	Generic Process I/O GGIO for M57x : 4DI/4DO
Choose option based on logical slot configuration	GGIO1	GGIO_3	Generic Process I/O GGIO for M57x : 4DI/4DO/4AI
Choose option based on logical slot configuration	GGIO1	GGIO_6	Generic Process I/O GGIO for M57x : /4AI
	GosGGIO2	GGIO_9	Generic Process I/O – 32 Virtual Output signals

**Table 4 – M871**

LD	LN Instance	LN Type	Description
<b>Measurements</b>			
	LLN0	LNN0_0	Measurements Logical Device
	LPHD1	LPHD_0	Physical Device Information
	MMXU1	MMXU_9	M871 Bus 1 (V,A, W, VAr) Measurements (LN is extended to include custom measurements)
	MMXU2	MMXU_11	M871 Bus 2 (V) Measurements (LN is extended to include custom measurements)
	MMXN1	MMXN_0	M871 Auxiliary voltage 1 (V)
	MMXN2	MMXN_0	M871 Auxiliary voltage 2 (V)
	MMXN3	MMXN_0	M871 Auxiliary differential voltage (V)
	FndMMXU1	MMXU_6	Fundamental Measurements of Bus 1 (MMXU1)
	FndMMXU2	MMXU_8	Fundamental Measurements of Bus 2 (MMXU2)
	DmdMMXU1	MMXU_0	Present Thermal Demands of Bus 1 (MMXU1) Measurements
	DmdMMXU2	MMXU_2	Present Thermal Demands of Bus 2 (MMXU2) Measurements
	DmnMMXU1	MMXU_3	Minimum Thermal Demands of Bus 1 (MMXU1)
	DmnMMXU2	MMXU_2	Minimum Thermal Demands of Bus 2 (MMXU2)
	DmxMMXU1	MMXU_0	Maximum Thermal Demands of Bus 1 (MMXU1)
	DmxMMXU2	MMXU_2	Maximum Thermal Demands of Bus 2 (MMXU2)
	FndDmdMMXU1	MMXU_4	Fundamental Thermal Demands of Bus 1 (MMXU1)
	FndDmxMMXU1	MMXU_4	Fundamental Maximum Thermal Demands of Bus 1 (MMXU1)
	MMTR1	MMTR_0	Bus 1 Energy Metering Measurement (LN is extended to include custom measurements)
	MSQI1	MSQI_0	Bus 1 Sequence Components (Volts & Amps)
	MSQI2	MSQI_1	Bus 2 Sequence Components (Volts only)
	MHAI1	MHAI_2	Bus 1 Harmonics (Volts & Amps) including individual harmonics, phase related K factor and harmonic demand (LN is extended to include custom measurements)
	MHAI2	MHAI_3	Bus 2 Harmonics (Volts only) including individual harmonics and harmonic demand (LN is extended to include custom measurements)
	DmdMHAI1	MHAI_0	Present Thermal Demands for Bus 1 (MHAI1)
	DmdMHAI2	MHAI_1	Present Thermal Demands for Bus 2 (MHAI2) – Volts only
	DmnMHAI1	MHAI_1	Minimum Thermal Demands for Bus 1 (MHAI1) – No minimum Amp demands
	DmnMHAI2	MHAI_1	Minimum Thermal Demands for Bus 2 (MHAI2) - Volts only
	DmxMHAI1	MHAI_0	Maximum Thermal Demands for Bus 1 (MHAI1)
	DmxMHAI2	MHAI_1	Maximum Thermal Demands for Bus 2 (MHAI2) – Volts only

LD	LN Instance	LN Type	Description
<b>Measurements</b>			
	MLFK1	MLFK_0	Voltage Flicker Bus 1 Measurement (Custom LN)
	MLFK2	MLFK_0	Voltage Flicker Bus 2 Measurement (Custom LN)
	MSYN1	MSYN_0	Synch check Bus1 to Bus 2 Phase A (Custom LN)
	MSYN2	MSYN_0	Synch check Bus1 to Bus 2 Phase B (Custom LN)
	MSYN3	MSYN_0	Synch check Bus1 to Bus 2 Phase C (Custom LN)
	MADV1	MADV_0	Advanced Measurements Bus 1 (Custom LN)
	MFLO1	MFLO_0	Fault Distance Measurement Bus 1 (Custom LN)
	MTMP1	MTMP_0	Temperature Measurement –Internal ambient (Custom LN)
<b>Records</b>			
	LLN0	LLN0_0	Records Logical Device
	LPHD1	LPHD_0	Physical Device Information
	WrxRDRE1	RDRE_0	Waveform Recorder 1
	WrxRDRE2	RDRE_0	Waveform Recorder 2
	DrxRDRE1	RDRE_0	Disturbance Recorder 1
	DrxRDRE2	RDRE_0	Disturbance Recorder 2
<b>System</b>			
	LLN0	LLN0_1	System Logical Device Can only Publish GOOSE in System/LLN0
	LPHD1	LPHD_0	Physical Device Information
	GosGGIO1	GGIO_8	GOOSE Input Status (GOOSE Subscriptions are done here)
	TVTR1	TVTR_0	Voltage Transformer Phase A Bus 1
	TVTR2	TVTR_0	Voltage Transformer Phase B Bus 1
	TVTR3	TVTR_0	Voltage Transformer Phase C Bus 1
	TVTR4	TVTR_0	Voltage Transformer Phase N Bus 1
	TVTR5	TVTR_0	Voltage Transformer Phase A Bus 2
	TVTR6	TVTR_0	Voltage Transformer Phase B Bus 2
	TVTR7	TVTR_0	Voltage Transformer Phase C Bus 2
	TVTR8	TVTR_0	Voltage Transformer Phase N Bus 2
	TVTR9	TVTR_0	Voltage Transformer - Auxiliary voltage 1
	TVTR10	TVTR_0	Voltage Transformer - Auxiliary voltage 2
	TVTR11	TVTR_0	Voltage Transformer - differential auxiliary voltage
	TCTR1	TCTR_0	Current Transformer Phase A Bus 1
	TCTR2	TCTR_0	Current Transformer Phase B Bus 1
	TCTR3	TCTR_0	Current Transformer Phase C Bus 1
	TCTR4	TCTR_0	Current Transformer Phase N Bus 1

<b>System I/O Options (GGIO Logical slot numbers may range from 1 -7).</b>			
Chose option based on logical slot configuration	No GGIO option	No GGIO option	No generic Process I/O
Chose option based on logical slot configuration	GGIOx (see Note 1)	GGIO_1	Generic Process I/O (P30) GGIO for logical slot x-1: 8DI/4DO
Chose option based on logical slot configuration	GGIOx (see Note 1)	GGIO_2	Generic Process I/O (P31) GGIO for logical slot x-1: 16DI/4DO
Chose option based on logical slot configuration	GGIOx (see Note 1)	GGIO_10	Generic Process I/O (P33) GGIO for logical slot x-1: 8DO
Chose option based on logical slot configuration	GGIOx (see Note 1)	GGIO_4	Generic Process I/O (P30+P40) GGIO for logical slot x-1 (P30) & logical slot x (P40): 8DI/4DO/8AI
Chose option based on logical configuration	GGIOx (see Note 1)	GGIO_5	Generic Process I/O (P31+P40) GGIO for logical slot x-1 (P31) & logical slot x (P40): 16DI/4DO/8AI
Chose option based on logical configuration	GGIOx (see Note 1)	GGIO_11	Generic Process I/O (P33+P40) GGIO for logical slot x-1 (P33) & logical slot x (P40): 8DO/8AI
Choose option based on logical slot configuration	GGIOx (see Note 1)	GGIO_7	Generic Process I/O (P40) GGIO for logical slot x: /8AI
	GosGGIO2	GGIO_9	Generic Process I/O – 32 Virtual Output signals

**Table 5 –M872 Dual Feeder**

LD	LN Instance	LN Type	Description
<b>Measurements</b>			
	LLN0	LLN0_0	Measurements Logical Device
	LPHD1	LPHD_0	Physical Device Information
	MMXU1	MMXU_10	M872 Bus 1 (V,A,W,VAr) Measurements (LN is extended to include custom measurements)
	MMXU2	MMXU_10	M872 Bus 2 (V,A,W,VAr) Measurements (LN is extended to include custom measurements)
	MMXN1	MMXN_0	M872 Dual Feeder Voltage Reference 1 (V)
	MMXN2	MMXN_0	M872 Dual Feeder Voltage Reference 2 (V)
	FndMMXU1	MMXU_7	Fundamental Measurements of Bus 1 (MMXU1)
	FndMMXU2	MMXU_7	Fundamental Measurements of Bus 2 (MMXU2)
	DmdMMXU1	MMXU_1	Present Thermal Demands of Bus 1 (MMXU1) Measurements
	DmdMMXU2	MMXU_1	Present Thermal Demands of Bus 2 (MMXU2) Measurements
	DmnMMXU1	MMXU_3	Minimum Thermal Demands of Bus 1 (MMXU1)
	DmnMMXU2	MMXU_3	Minimum Thermal Demands of Bus 2 (MMXU2)
	DmxMMXU1	MMXU_1	Maximum Thermal Demands of Bus 1 (MMXU1)
	DmxMMXU2	MMXU_1	Maximum Thermal Demands of Bus 2 (MMXU2)
	FndDmdMMXU1	MMXU_5	Fundamental Thermal Demands of Bus 1 (MMXU1)
	FndDmdMMXU2	MMXU_5	Fundamental Thermal Demands of Bus 2 (MMXU2)
	FndDmxMMXU1	MMXU_5	Fundamental Maximum Thermal Demands of Bus 1 (MMXU1)
	FndDmxMMXU2	MMXU_5	Fundamental Maximum Thermal Demands of Bus 2 (MMXU2)
	MMTR1	MMTR_0	Bus 1 Energy Metering Measurement (LN is extended to include custom measurements)
	MMTR2	MMTR_0	Bus 2 Energy Metering Measurement (LN is extended to include custom measurements)
	MSQI1	MSQI_0	Bus 1 Sequence Components (Volts & Amps)
	MSQI2	MSQI_0	Bus 2 Sequence Components (Volts & Amps)
	MHAI1	MHAI_2	Bus 1 Harmonics (Volts & Amps) including individual harmonics, phase related K factor and harmonic demand (LN is extended to include custom measurements)
	MHAI2	MHAI_2	Bus 2 Harmonics (Volts & Amps) including individual harmonics, phase related K factor and harmonic demand (LN is extended to include custom measurements)
	DmdMHAI1	MHAI_0	Present Thermal Demands for Bus 1 (MHAI1)
	DmdMHAI2	MHAI_0	Present Thermal Demands for Bus 2 (MHAI2)
	DmnMHAI1	MHAI_1	Minimum Thermal Demands for Bus 1 (MHAI1) – No minimum Amp demands
	DmnMHAI2	MHAI_1	Minimum Thermal Demands for Bus 2 (MHAI2) - No minimum Amp demands
	DmxMHAI1	MHAI_0	Maximum Thermal Demands for Bus 1 (MHAI1)
	DmxMHAI2	MHAI_0	Maximum Thermal Demands for Bus 2 (MHAI2)

LD	LN Instance	LN Type	Description
<b>Measurements</b>			
	MLFK1	MLFK_0	Voltage Flicker Bus 1 Measurement (Custom LN)
	MLFK2	MLFK_0	Voltage Flicker Bus 2 Measurement (Custom LN)
	MSYN1	MSYN_0	Synch check Bus 1, Phase A to VREF1 (Custom LN)
	MSYN2	MSYN_0	Synch check Bus 1 Phase B to VREF1 (Custom LN)
	MSYN3	MSYN_0	Synch check Bus 1 Phase C to VREF1 (Custom LN)
	MSYN4	MSYN_0	Synch check Bus 1 Phase A to VREF2 (Custom LN)
	MSYN5	MSYN_0	Synch check Bus 1 Phase B to VREF2 (Custom LN)
	MSYN6	MSYN_0	Synch check Bus 1 Phase C to VREF2 (Custom LN)
	MADV1	MADV_0	Advanced Measurements Bus 1 (Custom LN)
	MADV2	MADV_0	Advanced Measurements Bus 2 (Custom LN)
	MFLO1	MFLO_0	Fault Distance Measurement Bus 1 (Custom LN)
	MFLO2	MFLO_0	Fault Distance Measurement Bus 2 (Custom LN)
	MTMP1	MTMP_0	Temperature Measurement- internal ambient (Custom LN)
<b>Records</b>			
	LLN0	LLN0_0	Records Logical Device
	LPHD1	LPHD_0	Physical Device Information
	WrxRDRE1	RDRE_0	Waveform Recorder 1
	WrxRDRE2	RDRE_0	Waveform Recorder 2
	DrxRDRE1	RDRE_0	Disturbance Recorder 1
	DrxRDRE2	RDRE_0	Disturbance Recorder 2
<b>System</b>			
	LLN0	LLN0_1	System Logical Device Can only Publish GOOSE in System/LLN0
	LPHD1	LPHD_0	Physical Device Information
	GosGGIO1	GGIO_8	GOOSE Input Status (GOOSE Subscriptions are done here)
	TVTR1	TVTR_0	Voltage Transformer Phase A Bus 1
	TVTR2	TVTR_0	Voltage Transformer Phase B Bus 1
	TVTR3	TVTR_0	Voltage Transformer Phase C Bus 1
	TVTR4	TVTR_0	Voltage Transformer Phase N Bus 1
	TVTR5	TVTR_0	Voltage Transformer Phase A Bus 2
	TVTR6	TVTR_0	Voltage Transformer Phase B Bus 2
	TVTR7	TVTR_0	Voltage Transformer Phase C Bus 2
	TVTR8	TVTR_0	Voltage Transformer Phase N Bus 2
	TVTR9	TVTR_0	Voltage Transformer for Vref1
	TVTR10	TVTR_0	Voltage Transformer for Vref2
	TCTR1	TCTR_0	Current Transformer Phase A Bus 1
	TCTR2	TCTR_0	Current Transformer Phase B Bus 1
	TCTR3	TCTR_0	Current Transformer Phase C Bus 1
	TCTR5	TCTR_0	Current Transformer Phase A Bus 2



LD	LN Instance	LN Type	Description
<b>Measurements</b>			
	TCTR6	TCTR_0	Current Transformer Phase B Bus 2
	TCTR7	TCTR_0	Current Transformer Phase C Bus 2

<b>System</b>	<b>I/O Options (GGIO Logical slot numbers may range from 1-7).</b>		
Choose option based on logical slot configuration	No GGIO option	No GGIO option	No generic Process I/O
Choose option based on logical slot configuration	GGIOx (see Note 1)	GGIO_1	Generic Process I/O (P30) GGIO for logical slot x-1: 8DI/4DO
Choose option based on logical slot configuration	GGIOx (see Note 1)	GGIO_2	Generic Process I/O (P31) GGIO for logical slot x-1: 16DI/4DO
Choose option based on logical slot configuration	GGIOx (see Note 1)	GGIO_10	Generic Process I/O (P33) GGIO for logical slot x-1: 8DO
Choose option based on logical slot configuration	GGIOx (see Note 1)	GGIO_4	Generic Process I/O (P30+P40) GGIO for logical slot x-1 (P30) & logical slot x (P40): 8DI/4DO/8AI
Choose option based on logical slot configuration	GGIOx (see Note 1)	GGIO_5	Generic Process I/O (P31+P40) GGIO for logical slot x-1 (P31) & logical slot x (P40): 16DI/4DO/8AI
Choose option based on logical slot configuration	GGIOx (see Note 1)	GGIO_11	Generic Process I/O (P33+P40) GGIO for logical slot x-1 (P33) & logical slot x (P40): 8DO/8AI
Choose option based on logical slot configuration	GGIOx (see Note 1)	GGIO_7	Generic Process I/O (P40) GGIO for logical slot x: /8AI
	GosGGIO2	GGIO_9	Generic Process I/O – 32 Virtual Output signals

**Table 6 –M872 Breaker and ½**

LD	LN Instance	LN Type	Description
<b>Measurements</b>			
	LLN0	LLN0_0	Measurements Logical Device
	LPHD1	LPHD_0	Physical Device Information
	MMXU1	MMXU_10	M872 Bus 1 (V,A,W,VAr) Measurements (LN is extended to include custom measurements)
	MMXU2	MMXU_10	M872 Bus 2 (V,A,W,VAr) Measurements (LN is extended to include custom measurements)
	FndMMXU1	MMXU_7	Fundamental of Bus 1 (MMXU1) Measurements
	FndMMXU2	MMXU_7	Fundamental of Bus 2 (MMXU2) Measurements
	DmdMMXU1	MMXU_1	Present Thermal Demands of Bus 1 (MMXU1) Measurements
	DmdMMXU2	MMXU_1	Present Thermal Demands of Bus 2 (MMXU2) Measurements
	DmnMMXU1	MMXU_3	Minimum Thermal Demands of Bus 1 (MMXU1)
	DmnMMXU2	MMXU_3	Minimum Thermal Demands of Bus 2 (MMXU2)
	DmxMMXU1	MMXU_1	Maximum Thermal Demands of Bus 1 (MMXU1)
	DmxMMXU2	MMXU_1	Maximum Thermal Demands of Bus 2 (MMXU2)
	FndDmdMMXU1	MMXU_5	Fundamental Thermal Demands of Bus 1 (MMXU1)
	FndDmdMMXU2	MMXU_5	Fundamental Thermal Demands of Bus 2 (MMXU2)
	FndDmxMMXU1	MMXU_5	Fundamental Maximum Thermal Demands of Bus 1 (MMXU1)
	FndDmxMMXU2	MMXU_5	Fundamental Maximum Thermal Demands of Bus 2 (MMXU2)
	MMTR1	MMTR_0	Bus 1 Energy Metering Measurement (LN is extended to include custom measurements)
	MMTR2	MMTR_0	Bus 2 Energy Metering Measurement (LN is extended to include custom measurements)
	MSQI1	MSQI_0	Bus 1 Sequence Components (Volts & Amps)
	MSQI2	MSQI_0	Bus 2 Sequence Components (Volts & Amps)
	MHAI1	MHAI_2	Bus 1 Harmonics (Volts & Amps) including individual harmonics, phase related K factor and harmonic demand (LN is extended to include custom measurements)
	MHAI2	MHAI_2	Bus 2 Harmonics (Volts & Amps) including individual harmonics, phase related K factor and harmonic demand (LN is extended to include custom measurements)
	DmdMHAI1	MHAI_0	Present Thermal Demands for Bus 1 (MHAI1)
	DmdMHAI2	MHAI_0	Present Thermal Demands for Bus 2 (MHAI2)
	DmnMHAI1	MHAI_1	Minimum Thermal Demands for Bus 1 ( MHAI1) - No minimum Amp demands
	DmnMHAI2	MHAI_1	Minimum Thermal Demands for Bus 2 (MHAI2) - No minimum Amp demands

LD	LN Instance	LN Type	Description
<b>Measurements</b>			
	DmxMHAI1	MHAI_0	Maximum Thermal Demands for Bus 1 (MHAI1)
	DmxMHAI2	MHAI_0	Maximum Thermal Demands for Bus 2 (MHAI2)
	MLFK1	MLFK_0	Voltage Flicker Bus 1 Measurement (Custom LN)
	MLFK2	MLFK_0	Voltage Flicker Bus 2 Measurement (Custom LN)
	MSYN1	MSYN_0	Synch check Bus1 to Bus 2 Phase A for M872 (Breaker & 1/2) (Custom LN)
	MSYN2	MSYN_0	Synch check Bus1 to Bus 2 Phase B for M872 (Breaker & 1/2) (Custom LN)
	MSYN3	MSYN_0	Synch check Bus1 to Bus 2 Phase C for M872 (Breaker & 1/2) (Custom LN)
	MADV1	MADV_0	Advanced Measurements Bus 1 (Custom LN)
	MADV2	MADV_0	Advanced Measurements Bus 2 (Custom LN)
	MFLO1	MFLO_0	Fault Distance Measurement Bus 1 (Custom LN)
	MFLO2	MFLO_0	Fault Distance Measurement Bus 2 (Custom LN)
	MTMP1	MTMP_0	Temperature Measurement – internal ambient (Custom LN)
<b>Records</b>			
	LLN0	LLN0_0	Records Logical Device
	LPHD1	LPHD_0	Physical Device Information
	WrxRDRE1	RDRE_0	Waveform Recorder 1
	WrxRDRE2	RDRE_0	Waveform Recorder 2
	DrxRDRE1	RDRE_0	Disturbance Recorder 1
	DrxRDRE2	RDRE_0	Disturbance Recorder 2
<b>System</b>			
	LLN0	LLN0_1	System Logical Device Can only Publish GOOSE in System/LLN0
	LPHD1	LPHD_0	Physical Device Information
	GosGGIO1	GGIO_8	GOOSE Input Status (GOOSE Subscriptions are done here)
	TVTR1	TVTR_0	Voltage Transformer Phase A Bus 1
	TVTR2	TVTR_0	Voltage Transformer Phase B Bus 1
	TVTR3	TVTR_0	Voltage Transformer Phase C Bus 1
	TVTR4	TVTR_0	Voltage Transformer Phase N Bus 1
	TVTR5	TVTR_0	Voltage Transformer Phase A Bus 2
	TVTR6	TVTR_0	Voltage Transformer Phase B Bus 2
	TVTR7	TVTR_0	Voltage Transformer Phase C Bus 2
	TVTR8	TVTR_0	Voltage Transformer Phase N Bus 2
	TCTR1	TCTR_0	Current Transformer Phase A Bus 1
	TCTR2	TCTR_0	Current Transformer Phase B Bus 1
	TCTR3	TCTR_0	Current Transformer Phase C Bus 1
	TCTR5	TCTR_0	Current Transformer Phase A Bus 2

LD	LN Instance	LN Type	Description
<b>Measurements</b>			
	TCTR6	TCTR_0	Current Transformer Phase B Bus 2
	TCTR7	TCTR_0	Current Transformer Phase C Bus 2

<b>System I/O Options (GGIO Logical slot numbers may range from 1 -7).</b>			
Choose option based on logical slot configuration	No GGIO option	No GGIO option	No generic Process I/O
Choose option based on logical slot configuration	GGIOx (see Note 1)	GGIO_1	Generic Process I/O (P30) GGIO for logical slot x-1: 8DI/4DO
Choose option based on logical slot configuration	GGIOx (see Note 1)	GGIO_2	Generic Process I/O (P31) GGIO for logical slot x-1: 16DI/4DO
Choose option based on logical slot configuration	GGIOx (see Note 1)	GGIO_10	Generic Process I/O (P33) GGIO for logical slot x-1: 8DO
Choose option based on logical slot configuration	GGIOx (see Note 1)	GGIO_4	Generic Process I/O (P30+P40) GGIO for logical slot x-1 (P30) & logical slot x (P40): 8DI/4DO/8AI
Choose option based on logical slot configuration	GGIOx (see Note 1)	GGIO_5	Generic Process I/O (P31+P40) GGIO for logical slot x-1 (P31) & logical slot x (P40): 16DI/4DO/8AI
Choose option based on logical slot configuration	GGIOx (see Note 1)	GGIO_11	Generic Process I/O (P33+P40) GGIO for logical slot x-1 (P33) & logical slot x (P40): 8DO/8AI
Choose option based on logical slot configuration	GGIOx (see Note 1)	GGIO_7	Generic Process I/O (P40) GGIO for logical slot x: /8AI
	GosGGIO2	GGIO_9	Generic Process I/O – 32 Virtual Output signals

**Table 7 – M878 Network I/O**

LD	LN Instance	LN Type	Description
<b>System</b>			
	LLN0	LLN0_1	System Logical Device Can only Publish GOOSE in System/LLN0
	LPHD1	LPHD_0	Physical Device Information
	GosGGIO1	GGIO_8	GOOSE Input Status (GOOSE Subscriptions are done here)
<b>System I/O Options (GGIO Logical slot numbers may range from 1 -7).</b>			
Choose option based on logical slot configuration	No GGIO option	No GGIO option	No generic Process I/O
Choose option based on logical slot configuration	GGIOx (see Note 1)	GGIO_1	Generic Process I/O (P30) GGIO for logical slot x-1: 8DI/4DO
Choose option based on logical slot configuration	GGIOx (see Note 1)	GGIO_2	Generic Process I/O (P31) GGIO for logical slot x-1: 16DI/4DO
Choose option based on logical slot configuration	GGIOx (see Note 1)	GGIO_10	Generic Process I/O (P33) GGIO for logical slot x-1: 8DO
Choose option based on logical slot configuration	GGIOx (see Note 1)	GGIO_4	Generic Process I/O (P30+P40) GGIO for logical slot x-1 (P30) & logical slot x (P40): 8DI/4DO/8AI
Choose option based on logical slot configuration	GGIOx (see Note 1)	GGIO_5	Generic Process I/O (P31+P40) GGIO for logical slot x-1 (P31) & logical slot x (P40): 16DI/4DO/8AI
Choose option based on logical slot configuration	GGIOx (see Note 1)	GGIO_11	Generic Process I/O (P33+P40) GGIO for logical slot x-1 (P33) & logical slot x (P40): 8DO/8AI
Choose option based on logical slot configuration	GGIOx (see Note 1)	GGIO_7	Generic Process I/O (P40) GGIO for logical slot x: /8AI
	GosGGIO2	GGIO_9	Generic Process I/O – 32 Virtual Output signals

### 3.4 Logical Node definitions

The definition tables for each of the Logical Nodes in the top-level data model are presented in the following sub-sections.

The following table presents a summary of the Logical Node templates used across the Logical Devices within the overall IEC61850 product data model:

**Table 8: LN Type Definitions**

LN Type	(LN Class)	Description	Name Space
GGIO_0	(GGIO)	Generic Process I/O – M57x with option of 4 Digital Inputs / 4 Digital Outputs	IEC 61850-7-4:2003
GGIO_1	(GGIO)	Generic Process I/O – M87x with option of 8 Digital Inputs/4 Digital Outputs	IEC 61850-7-4:2003
GGIO_2	(GGIO)	Generic Process I/O – M87x with option of 16 Digital inputs/4 Digital outputs	IEC 61850-7-4:2003
GGIO_3	(GGIO)	Generic Process I/O – M57x with option of 4 Digital Inputs/ 4 Digital Outputs/ 4 Analog Inputs	IEC 61850-7-4:2003
GGIO_4	(GGIO)	Generic Process I/O – M87x with options of 8 Digital inputs / 4 Digital outputs / 8 Analog inputs	IEC 61850-7-4:2003
GGIO_5	(GGIO)	Generic Process I/O – M87x with options of 16 Digital inputs / 4 Digital outputs / 8 Analog inputs	IEC 61850-7-4:2003
GGIO_6	(GGIO)	Generic Process I/O - M57x with option of 4 Analog Inputs	IEC 61850-7-4:2003
GGIO_7	(GGIO)	Generic Process I/O - M87x with option of 8 Analog Inputs	IEC 61850-7-4:2003
GGIO_8	(GGIO)	Generic Process I/O - GOOSE Message	IEC 61850-7-4:2003
GGIO_9	(GGIO)	Generic Process I/O – Virtual Output signals	IEC 61850-7-4:2003
GGIO_10	(GGIO)	Generic Process I/O – M87x with option of 8 Digital Outputs	IEC 61850-7-4:2003
GGIO_11	(GGIO)	Generic Process I/O – M87x with options of 8 Digital outputs / 8 Analog inputs	IEC 61850-7-4:2003
LLN0_0	(LLN0)	Common information for the logical device which applies to logical nodes in the Measurements and Records Domains	IEC 61850-7-4:2003
LLN0_1	(LLN0)	Common information for logical device, which applies to logical nodes in the System Domain	IEC 61850-7-4:2003
LPHD_0	(LPHD)	Mx70 Physical Device Information	IEC 61850-7-4:2003
MADV_0	(MADV)	Advanced Measurements (Custom LN definition is found in this section of the manual)	Bitronics NS Not Standard
MFLK_0	(MFLK)	Flicker measurements (Custom LN definition is found in this section of the manual)	Bitronics NS Not Standard
MFLO_0	(MFLO)	Fault Distance Measurement calculated for a Fault Location (Custom LN definition is found in this section of the manual)	Bitronics NS Not Standard
MHAI_0	(MHAI)	Harmonic information for Volts and Amps without the individual harmonics	IEC 61850-7-4:2003



LN Type	(LN Class)	Description	Name Space
MHAI_1	(MHAI)	Harmonic information for Volts only (No Amps) without the individual harmonics	IEC 61850-7-4:2003
MHAI_2	(MHAI)	Harmonic information for Volts and Amps, etc. including the individual harmonics, phase related K factor and harmonic demand.  (Provides measurements of individual harmonic magnitudes and angles for polyphase analogue values.)  (LN is extended to include custom measurements)	IEC 61850-7-4:2003
MHAI_3	(MHAI)	Harmonic information for Volts only (No Amps), etc. including the individual harmonics and harmonic demand.  (Provides measurements of individual harmonic magnitudes and angles for polyphase analogue values for voltage only.)  (LN is extended to include custom measurements)	IEC 61850-7-4:2003
MMTR_0	(MMTR)	Energy measurements  (Provides for acquiring of polyphase metering values pertaining to a field device or circuit.)  (LN is extended to include custom measurements)	IEC 61850-7-4:2003
MMXN_0	(MMXN)	Auxiliary voltage Measurements for M871 or Dual Feeder Reference voltage measurements for Mx72	IEC 61850-7-4:2003
MMXU_0	(MMXU)	Standard Measurements: Present and Maximum Thermal Demands  - Bus 1 (M871)  (Provides measurements of single phase or polyphase analog values, including neutral, pertaining to a wye or delta connected field device or circuit.)	IEC 61850-7-4:2003
MMXU_1	(MMXU)	Standard Measurements: Present and Maximum Thermal Demands  - Bus 1 (M571, M572, M872) - Bus 2 (M572, M872)  (Provides measurements of single phase or polyphase analog values pertaining to a wye or delta connected field device or circuit.)	IEC 61850-7-4:2003
MMXU_2	(MMXU)	Standard Measurements: Present, Minimum and Maximum Thermal Demands (Volts only)  - Bus 2 (M571, M871)  (Provides measurements of single phase or polyphase analog values pertaining to a wye or delta connected field device or circuit.)	IEC 61850-7-4:2003
MMXU_3	(MMXU)	Standard Measurements: Minimum Thermal Demands	IEC 61850-7-4:2003

LN Type	(LN Class)	Description	Name Space
		<ul style="list-style-type: none"> <li>- Bus 1 (M571, M572, M871, M872)</li> <li>- Bus2 (M572, M872)</li> </ul> (Provides measurements of single phase or polyphase analog values pertaining to a wye or delta connected field device or circuit.)	
MMXU_4	(MMXU)	Standard Measurements: Fundamental Thermal Demands and Fundamental Maximum Thermal Demands <ul style="list-style-type: none"> <li>- Bus 1 (M871)</li> </ul> (Provides measurements of single phase or polyphase analog values pertaining to a wye or delta connected field device or circuit.)	IEC 61850-7-4:2003
MMXU_5	(MMXU)	Standard Measurements: Fundamental Thermal Demands and Fundamental Maximum Thermal Demands <ul style="list-style-type: none"> <li>- Bus 1 (M571, M572, M872)</li> <li>- Bus 2 (M572, M872)</li> </ul> (Provides measurements of single phase or polyphase analog values pertaining to a wye or delta connected field device or circuit.)	IEC 61850-7-4:2003
MMXU_6	(MMXU)	Standard Measurements: Fundamental (Fourier) values – Bus 1 (M871) (Provides measurements of single phase or polyphase analog values pertaining to a wye or delta connected field device or circuit.)	IEC 61850-7-4:2003
MMXU_7	(MMXU)	Standard Measurements: Fundamental (Fourier) values <ul style="list-style-type: none"> <li>- Bus 1 (M571, M572, M872)</li> <li>- Bus 2 (M572, M872)</li> </ul> (Provides measurements of single phase or polyphase analog values pertaining to a wye or delta connected field device or circuit.)	IEC 61850-7-4:2003
MMXU_8	(MMXU)	Standard Measurements: Fundamental (Fourier) values (Volts and frequency only) <ul style="list-style-type: none"> <li>- Bus 2 (M571, M871)</li> </ul> (Provides measurements of single phase or polyphase analog values pertaining to a wye or delta connected field device or circuit.)	IEC 61850-7-4:2003
MMXU_9	(MMXU)	Standard measurements - Bus 1 (M871) (Provides measurements of single phase or polyphase analog values pertaining to a wye or delta connected field device or circuit.) (LN is extended to include custom measurements)	IEC 61850-7-4:2003
MMXU_10	(MMXU)	Standard measurements	IEC 61850-7-4:2003

LN Type	(LN Class)	Description	Name Space
		<ul style="list-style-type: none"> <li>- Bus 1 (M571, M572, M872)</li> <li>- Bus 2 (M572, M872)</li> </ul> (Provides measurements of single phase or polyphase analog values pertaining to a wye or delta connected field device or circuit.) (LN is extended to include custom measurements)	
MMXU_11	(MMXU)	Standard measurements - Bus 2 (M571, M871) (Provides measurements of single phase or polyphase analog values pertaining to a wye or delta connected field device or circuit.) (LN is extended to include custom measurements)	IEC 61850-7-4:2003
MSQI_0	(MSQI)	Sequence and imbalance - Volts and Amps (Pos, Neq, Zero) for three phase power systems (Provides for Measurement of polyphase analog values representing sequence components)	IEC 61850-7-4:2003
MSQI_1	(MSQI)	Sequence and imbalance - Volts only (Pos, Neq, Zero) for three phase power systems (No Amps) (Provides for Measurement of polyphase analog values representing sequence components)	IEC 61850-7-4:2003
MSYN_0	(MSYN)	Synchronism check (Calculated differential measurements for rms voltage, frequency, and phase) (Custom LN definition is found in this section of the manual)	Bitronics NS Not Standard
MTMP_0	(MTMP)	Internal Ambient Temperature for the logical device (Custom LN definition is found in this section of the manual)	Bitronics NS Not Standard
RDRE_0	(RDRE)	Disturbance Recorder function	IEC 61850-7-4:2003
TCTR_0	(TCTR)	Current Transformer (CT) – per Bus and phase	IEC 61850-7-4:2003
TVTR_0	(TVTR)	Voltage Transformer (VT) - per Bus and phase , Auxiliary Voltage Measurements (M871) or Reference Voltage Measurements for Dual Feeder (572, M872)	IEC 61850-7-4:2003

3.4.1 Logical Node: GGIO\_0

Description: Generic Process I/O – M57x with option of 4 Digital Inputs / 4 Digital Outputs

LN Class: GGIO

Attribute	Attr. Type	Explanation	T	X
Mod	INC_0	Mode		
Beh	INS_0	Behaviour		
Health	INS_1	Health		
NamPlt	LPL_0	Name Plate		
SPCSO1	SPC_3	Digital Output 1		
SPCSO2	SPC_3	Digital Output 2		
SPCSO3	SPC_3	Digital Output 3		
SPCSO4	SPC_3	Digital Output 4		
DPCSO1	DPC_STATUS	Double Point Status 1		
DPCSO2	DPC_STATUS	Double Point Status 2		
Ind1	SPS_0	Digital Input 1		
Ind2	SPS_0	Digital Input 2		
Ind3	SPS_0	Digital Input 3		
Ind4	SPS_0	Digital Input 4		

3.4.2 Logical Node: GGIO\_1

Description: Generic Process I/O – M87x with option of 8 Digital Inputs/4 Digital Outputs

LN Class: GGIO

Attribute	Attr. Type	Explanation	T	X
Mod	INC_0	Mode		
Beh	INS_0	Behaviour		
Health	INS_1	Health		
NamPlt	LPL_0	Name Plate		
SPCSO1	SPC_3	Digital Output 1		
SPCSO2	SPC_3	Digital Output 2		
SPCSO3	SPC_3	Digital Output 3		
SPCSO4	SPC_3	Digital Output 4		
DPCSO1	DPC_STATUS	Double Point Status 1		
DPCSO2	DPC_STATUS	Double Point Status 2		
DPCSO3	DPC_STATUS	Double Point Status 3		
DPCSO4	DPC_STATUS	Double Point Status 4		
Ind1	SPS_0	Digital Input 1		
Ind2	SPS_0	Digital Input 2		
Ind3	SPS_0	Digital Input 3		
Ind4	SPS_0	Digital Input 4		
Ind5	SPS_0	Digital Input 5		
Ind6	SPS_0	Digital Input 6		
Ind7	SPS_0	Digital Input 7		
Ind8	SPS_0	Digital Input 8		

3.4.3 Logical Node: GGIO\_2

Description: Generic Process I/O – M87x with option of 16 Digital inputs/4 Digital outputs

LN Class: GGIO

Attribute	Attr. Type	Explanation	T	X
Mod	INC_0	Mode		
Beh	INS_0	Behaviour		
Health	INS_1	Health		
NamPlt	LPL_0	Name Plate		
SPCSO1	SPC_3	Digital Output 1		
SPCSO2	SPC_3	Digital Output 2		
SPCSO3	SPC_3	Digital Output 3		
SPCSO4	SPC_3	Digital Output 4		
DPCSO1	DPC_STATUS	Double Point Status 1		
DPCSO2	DPC_STATUS	Double Point Status 2		
DPCSO3	DPC_STATUS	Double Point Status 3		
DPCSO4	DPC_STATUS	Double Point Status 4		
DPCSO5	DPC_STATUS	Double Point Status 5		
DPCSO6	DPC_STATUS	Double Point Status 6		
DPCSO7	DPC_STATUS	Double Point Status 7		
DPCSO8	DPC_STATUS	Double Point Status 8		
Ind1	SPS_0	Digital Input 1		
Ind2	SPS_0	Digital Input 2		
Ind3	SPS_0	Digital Input 3		
Ind4	SPS_0	Digital Input 4		
Ind5	SPS_0	Digital Input 5		
Ind6	SPS_0	Digital Input 6		
Ind7	SPS_0	Digital Input 7		
Ind8	SPS_0	Digital Input 8		
Ind9	SPS_0	Digital Input 9		
Ind10	SPS_0	Digital Input 10		
Ind11	SPS_0	Digital Input 11		
Ind12	SPS_0	Digital Input 12		
Ind13	SPS_0	Digital Input 13		
Ind14	SPS_0	Digital Input 14		
Ind15	SPS_0	Digital Input 15		
Ind16	SPS_0	Digital Input 16		

3.4.4 Logical Node: GGIO\_3

Description: Generic Process I/O – M57x with option of 4 Digital Inputs/ 4 Digital Outputs/ 4 Analog Inputs

LN Class: GGIO

Attribute	Attr. Type	Explanation	T	X
Mod	INC_0	Mode		
Beh	INS_0	Behaviour		
Health	INS_1	Health		
NamPlt	LPL_0	Name Plate		
AnIn1	MV_0	Analog input 1		
AnIn2	MV_0	Analog input 2		
AnIn3	MV_0	Analog input 3		
AnIn4	MV_0	Analog input 4		
SPCSO1	SPC_3	Digital Output 1		
SPCSO2	SPC_3	Digital Output 2		
SPCSO3	SPC_3	Digital Output 3		
SPCSO4	SPC_3	Digital Output 4		
DPCSO1	DPC_STATUS	Double Point Status 1		
DPCSO2	DPC_STATUS	Double Point Status 2		
Ind1	SPS_0	Digital Input 1		
Ind2	SPS_0	Digital Input 2		
Ind3	SPS_0	Digital Input 3		
Ind4	SPS_0	Digital Input 4		

3.4.5 Logical Node: GGIO\_4

Description: Generic Process I/O – M87x with options of 8 Digital inputs / 4 Digital outputs / 8 Analog inputs

LN Class: GGIO

Attribute	Attr. Type	Explanation	T	X
Mod	INC_0	Mode		
Beh	INS_0	Behaviour		
Health	INS_1	Health		
NamPlt	LPL_0	Name Plate		
AnIn1	MV_0	Analog input 1		
AnIn2	MV_0	Analog input 2		
AnIn3	MV_0	Analog input 3		
AnIn4	MV_0	Analog input 4		
AnIn5	MV_0	Analog input 5		
AnIn6	MV_0	Analog input 6		
AnIn7	MV_0	Analog input 7		
AnIn8	MV_0	Analog input 8		
SPCSO1	SPC_3	Digital Output 1		
SPCSO2	SPC_3	Digital Output 2		
SPCSO3	SPC_3	Digital Output 3		
SPCSO4	SPC_3	Digital Output 4		
DPCSO1	DPC_STATUS	Double Point Status 1		
DPCSO2	DPC_STATUS	Double Point Status 2		
DPCSO3	DPC_STATUS	Double Point Status 3		
DPCSO4	DPC_STATUS	Double Point Status 4		
Ind1	SPS_0	Digital Input 1		
Ind2	SPS_0	Digital Input 2		
Ind3	SPS_0	Digital Input 3		
Ind4	SPS_0	Digital Input 4		
Ind5	SPS_0	Digital Input 5		
Ind6	SPS_0	Digital Input 6		
Ind7	SPS_0	Digital Input 7		
Ind8	SPS_0	Digital Input 8		





3.4.6 Logical Node: GGIO\_5

Description: Generic Process I/O – M87x with options of 16 Digital inputs / 4 Digital outputs / 8 Analog inputs

LN Class: GGIO

Attribute	Attr. Type	Explanation	T	X
Mod	INC_0	Mode		
Beh	INS_0	Behaviour		
Health	INS_1	Health		
NamPlt	LPL_0	Name Plate		
AnIn1	MV_0	Analog input 1		
AnIn2	MV_0	Analog input 2		
AnIn3	MV_0	Analog input 3		
AnIn4	MV_0	Analog input 4		
AnIn5	MV_0	Analog input 5		
AnIn6	MV_0	Analog input 6		
AnIn7	MV_0	Analog input 7		
AnIn8	MV_0	Analog input 8		
SPCSO1	SPC_3	Digital Output 1		
SPCSO2	SPC_3	Digital Output 2		
SPCSO3	SPC_3	Digital Output 3		
SPCSO4	SPC_3	Digital Output 4		
DPCSO1	DPC_STATUS	Double Point Status 1		
DPCSO2	DPC_STATUS	Double Point Status 2		
DPCSO3	DPC_STATUS	Double Point Status 3		
DPCSO4	DPC_STATUS	Double Point Status 4		
DPCSO5	DPC_STATUS	Double Point Status 5		
DPCSO6	DPC_STATUS	Double Point Status 6		
DPCSO7	DPC_STATUS	Double Point Status 7		
DPCSO8	DPC_STATUS	Double Point Status 8		
Ind1	SPS_0	Digital Input 1		
Ind2	SPS_0	Digital Input 2		
Ind3	SPS_0	Digital Input 3		
Ind4	SPS_0	Digital Input 4		
Ind5	SPS_0	Digital Input 5		
Ind6	SPS_0	Digital Input 6		
Ind7	SPS_0	Digital Input 7		
Ind8	SPS_0	Digital Input 8		
Ind9	SPS_0	Digital Input 9		
Ind10	SPS_0	Digital Input 10		
Ind11	SPS_0	Digital Input 11		
Ind12	SPS_0	Digital Input 12		
Ind13	SPS_0	Digital Input 13		

Attribute	Attr. Type	Explanation	T	X
Ind14	SPS_0	Digital Input 14		
Ind15	SPS_0	Digital Input 15		
Ind16	SPS_0	Digital Input 16		

3.4.7 Logical Node: GGIO\_6

Description: Generic Process I/O - M57x with option of 4 Analog Inputs

LN Class: GGIO

Attribute	Attr. Type	Explanation	T	X
Mod	INC_0	Mode		
Beh	INS_0	Behaviour		
Health	INS_1	Health		
NamPlt	LPL_0	Name Plate		
AnIn1	MV_0	Analog input 1		
AnIn2	MV_0	Analog input 2		
AnIn3	MV_0	Analog input 3		
AnIn4	MV_0	Analog input 4		

3.4.8 Logical Node: GGIO\_7

Description: Generic Process I/O - M87x with option of 8 Analog Inputs

LN Class: GGIO

Attribute	Attr. Type	Explanation	T	X
Mod	INC_0	Mode		
Beh	INS_0	Behaviour		
Health	INS_1	Health		
NamPlt	LPL_0	Name Plate		
AnIn1	MV_0	Analog input 1		
AnIn2	MV_0	Analog input 2		
AnIn3	MV_0	Analog input 3		
AnIn4	MV_0	Analog input 4		
AnIn5	MV_0	Analog input 5		
AnIn6	MV_0	Analog input 6		
AnIn7	MV_0	Analog input 7		
AnIn8	MV_0	Analog input 8		

3.4.9 Logical Node: GGIO\_8

Description: Generic Process I/O - GOOSE Message

LN Class: GGIO

Attribute	Attr. Type	Explanation	T	X
Mod	INC_0	Mode		
Beh	INS_0	Behaviour		
Health	INS_1	Health		
NamPlt	LPL_0	Name Plate		
AnIn1	MV_1	GOOSE Floating point input 1		
AnIn2	MV_1	GOOSE Floating point input2		
AnIn3	MV_1	GOOSE Floating point input 3		
AnIn4	MV_1	GOOSE Floating point input 4		
AnIn5	MV_1	GOOSE Floating point input 5		
AnIn6	MV_1	GOOSE Floating point input 6		
AnIn7	MV_1	GOOSE Floating point input 7		
AnIn8	MV_1	GOOSE Floating point input 8		
AnIn9	MV_1	GOOSE Floating point input 9		
AnIn10	MV_1	GOOSE Floating point input 10		
AnIn11	MV_1	GOOSE Floating point input 11		
AnIn12	MV_1	GOOSE Floating point input 12		
AnIn13	MV_1	GOOSE Floating point input 13		
AnIn14	MV_1	GOOSE Floating point input 14		
AnIn15	MV_1	GOOSE Floating point input 15		
AnIn16	MV_1	GOOSE Floating point input 16		
AnIn17	MV_1	GOOSE Floating point input 17		
AnIn18	MV_1	GOOSE Floating point input 18		
AnIn19	MV_1	GOOSE Floating point input 19		
AnIn20	MV_1	GOOSE Floating point input 20		
AnIn21	MV_1	GOOSE Floating point input 21		
AnIn22	MV_1	GOOSE Floating point input 22		
AnIn23	MV_1	GOOSE Floating point input 23		
AnIn24	MV_1	GOOSE Floating point input 24		
AnIn25	MV_1	GOOSE Floating point input 25		
AnIn26	MV_1	GOOSE Floating point input 26		
AnIn27	MV_1	GOOSE Floating point input 27		
AnIn28	MV_1	GOOSE Floating point input 28		
AnIn29	MV_1	GOOSE Floating point input 29		
AnIn30	MV_1	GOOSE Floating point input 30		
AnIn31	MV_1	GOOSE Floating point input 31		
AnIn32	MV_1	GOOSE Floating point input 32		
IntIn1	INS_3	GOOSE Integer input 1		

Attribute	Attr. Type	Explanation	T	X
IntIn2	INS_3	GOOSE Integer input 2		
IntIn3	INS_3	GOOSE Integer input 3		
IntIn4	INS_3	GOOSE Integer input 4		
IntIn5	INS_3	GOOSE Integer input 5		
IntIn6	INS_3	GOOSE Integer input 6		
IntIn7	INS_3	GOOSE Integer input 7		
IntIn8	INS_3	GOOSE Integer input 8		
IntIn9	INS_3	GOOSE Integer input 9		
IntIn10	INS_3	GOOSE Integer input 10		
IntIn11	INS_3	GOOSE Integer input 11		
IntIn12	INS_3	GOOSE Integer input 12		
IntIn13	INS_3	GOOSE Integer input 13		
IntIn14	INS_3	GOOSE Integer input 14		
IntIn15	INS_3	GOOSE Integer input 15		
IntIn16	INS_3	GOOSE Integer input 16		
IntIn17	INS_3	GOOSE Integer input 17		
IntIn18	INS_3	GOOSE Integer input 18		
IntIn19	INS_3	GOOSE Integer input 19		
IntIn20	INS_3	GOOSE Integer input 20		
IntIn21	INS_3	GOOSE Integer input 21		
IntIn22	INS_3	GOOSE Integer input 22		
IntIn23	INS_3	GOOSE Integer input 23		
IntIn24	INS_3	GOOSE Integer input 24		
IntIn25	INS_3	GOOSE Integer input 25		
IntIn26	INS_3	GOOSE Integer input 26		
IntIn27	INS_3	GOOSE Integer input 27		
IntIn28	INS_3	GOOSE Integer input 28		
IntIn29	INS_3	GOOSE Integer input 29		
IntIn30	INS_3	GOOSE Integer input 30		
IntIn31	INS_3	GOOSE Integer input 31		
IntIn32	INS_3	GOOSE Integer input 32		
Ind1	SPS_0	GOOSE Binary Input 1		
Ind2	SPS_0	GOOSE Binary Input 2		
Ind3	SPS_0	GOOSE Binary Input 3		
Ind4	SPS_0	GOOSE Binary Input 4		
Ind5	SPS_0	GOOSE Binary Input 5		
Ind6	SPS_0	GOOSE Binary Input 6		
Ind7	SPS_0	GOOSE Binary Input 7		
Ind8	SPS_0	GOOSE Binary Input 8		
Ind9	SPS_0	GOOSE Binary Input 9		
Ind10	SPS_0	GOOSE Binary Input 10		

Attribute	Attr. Type	Explanation	T	X
Ind11	SPS_0	GOOSE Binary Input 11		
Ind12	SPS_0	GOOSE Binary Input 12		
Ind13	SPS_0	GOOSE Binary Input 13		
Ind14	SPS_0	GOOSE Binary Input 14		
Ind15	SPS_0	GOOSE Binary Input 15		
Ind16	SPS_0	GOOSE Binary Input 16		
Ind17	SPS_0	GOOSE Binary Input 17		
Ind18	SPS_0	GOOSE Binary Input 18		
Ind19	SPS_0	GOOSE Binary Input 19		
Ind20	SPS_0	GOOSE Binary Input 20		
Ind21	SPS_0	GOOSE Binary Input 21		
Ind22	SPS_0	GOOSE Binary Input 22		
Ind23	SPS_0	GOOSE Binary Input 23		
Ind24	SPS_0	GOOSE Binary Input 24		
Ind25	SPS_0	GOOSE Binary Input 25		
Ind26	SPS_0	GOOSE Binary Input 26		
Ind27	SPS_0	GOOSE Binary Input 27		
Ind28	SPS_0	GOOSE Binary Input 28		
Ind29	SPS_0	GOOSE Binary Input 29		
Ind30	SPS_0	GOOSE Binary Input 30		
Ind31	SPS_0	GOOSE Binary Input 31		
Ind32	SPS_0	GOOSE Binary Input 32		

3.4.10 Logical Node: GGIO\_9

Description: Generic Process I/O – Virtual Output signals

LN Class: GGIO

Attribute	Attr. Type	Explanation	T	X
Mod	INC_0	Mode		
Beh	INS_0	Behaviour		
Health	INS_1	Health		
NamPlt	LPL_0	Name Plate		
Ind1	SPS_0	Virtual Output 1		
Ind2	SPS_0	Virtual Output 2		
Ind3	SPS_0	Virtual Output 3		
Ind4	SPS_0	Virtual Output 4		
Ind5	SPS_0	Virtual Output 5		
Ind6	SPS_0	Virtual Output 6		
Ind7	SPS_0	Virtual Output 7		
Ind8	SPS_0	Virtual Output 8		
Ind9	SPS_0	Virtual Output 9		
Ind10	SPS_0	Virtual Output 10		
Ind11	SPS_0	Virtual Output 11		
Ind12	SPS_0	Virtual Output 12		
Ind13	SPS_0	Virtual Output 13		
Ind14	SPS_0	Virtual Output 14		
Ind15	SPS_0	Virtual Output 15		
Ind16	SPS_0	Virtual Output 16		
Ind17	SPS_0	Virtual Output 17		
Ind18	SPS_0	Virtual Output 18		
Ind19	SPS_0	Virtual Output 19		
Ind20	SPS_0	Virtual Output 20		
Ind21	SPS_0	Virtual Output 21		
Ind22	SPS_0	Virtual Output 22		
Ind23	SPS_0	Virtual Output 23		
Ind24	SPS_0	Virtual Output 24		
Ind25	SPS_0	Virtual Output 25		
Ind26	SPS_0	Virtual Output 26		
Ind27	SPS_0	Virtual Output 27		
Ind28	SPS_0	Virtual Output 28		
Ind29	SPS_0	Virtual Output 29		
Ind30	SPS_0	Virtual Output 30		
Ind31	SPS_0	Virtual Output 31		
Ind32	SPS_0	Virtual Output 32		

3.4.11 Logical Node: GGIO\_10

Description: Generic Process I/O – M87x with option of 8 Digital Outputs

LN Class: GGIO

Attribute	Attr. Type	Explanation	T	X
Mod	INC_0	Mode		
Beh	INS_0	Behaviour		
Health	INS_1	Health		
NamPlt	LPL_0	Name Plate		
SPCSO1	SPC_3	Digital Output 1		
SPCSO2	SPC_3	Digital Output 2		
SPCSO3	SPC_3	Digital Output 3		
SPCSO4	SPC_3	Digital Output 4		
SPCSO5	SPC_3	Digital Output 5		
SPCSO6	SPC_3	Digital Output 6		
SPCSO7	SPC_3	Digital Output 7		
SPCSO8	SPC_3	Digital Output 8		



3.4.12 Logical Node: GGIO\_11

Description: Generic Process I/O – M87x with options of 8 Digital outputs / 8 Analog inputs

LN Class: GGIO

Attribute	Attr. Type	Explanation	T	X
Mod	INC_0	Mode		
Beh	INS_0	Behaviour		
Health	INS_1	Health		
NamPlt	LPL_0	Name Plate		
AnIn1	MV_0	Analog input 1		
AnIn2	MV_0	Analog input 2		
AnIn3	MV_0	Analog input 3		
AnIn4	MV_0	Analog input 4		
AnIn5	MV_0	Analog input 5		
AnIn6	MV_0	Analog input 6		
AnIn7	MV_0	Analog input 7		
AnIn8	MV_0	Analog input 8		
SPCSO1	SPC_3	Digital Output 1		
SPCSO2	SPC_3	Digital Output 2		
SPCSO3	SPC_3	Digital Output 3		
SPCSO4	SPC_3	Digital Output 4		
SPCSO5	SPC_3	Digital Output 5		
SPCSO6	SPC_3	Digital Output 6		
SPCSO7	SPC_3	Digital Output 7		
SPCSO8	SPC_3	Digital Output 8		

3.4.13 Logical Node: LLN0\_0

Description: General Logical Node 0 (Measurement Domain and Record Domain)

LN Class: LLN0

Attribute	Attr. Type	Explanation	T	X
Mod	INC_0	Mode		
Beh	INS_0	Behavior		
Health	INS_1	Health		
NamPlt	LPL_1	Name Plate		

3.4.14 Logical Node: LLN0\_1

Description: General Logical Node 0 (System Domain)

LN Class: LLN0

<b>Attribute</b>	<b>Attr. Type</b>	<b>Explanation</b>	<b>T</b>	<b>X</b>
Mod	INC_0	Mode		
Beh	INS_0	Behavior		
Health	INS_1	Health		
NamPIt	LPL_1	Name Plate		

3.4.15 Logical Node: LPHD\_0

Description: Mx7x Physical Device Information

LN Class: LPHD

Attribute	Attr. Type	Explanation	T	X
PhyNam	DPL_0	Physical device name plate		
PhyHealth	INS_2	Physical device health		
Proxy	SPS_0	Indicates if this LN is a proxy		
NumPwrUp	INS_3	Number of Power ups		
WrmStr	INS_3	Number of Warm Starts		
WacTrg	INS_3	Number of watchdog device resets detected		

3.4.16 Logical Node: MADV\_0 (Custom LN not contained in IEC61850 part 7-4 definitions)

Description: Advanced Measurements

LN Class: MADV (Custom LN Class not contained in IEC61850 part 7-4 definitions)

Attribute	Attr. Type	Explanation	T	X
Mod	INC_0	Mode		
Beh	INS_0	Behavior		
Health	INS_0	Health		
NamPlt	LPL_2	Name Plate		
TotVAa	MV_0	Total VA arithmetic mode		X
TotVAv	MV_0	Total VA vector mode (Geometric)		X
TotVAaFund	MV_0	Total VA Fundamental arithmetic mode		X
TotVAvFund	MV_0	Total VA Fundamental vector mode (Geometric)		X
TotPFa	MV_0	Total power factor arithmetic mode		X
TotPFv	MV_0	Total power factor vector mode (Geometric)		X
DF	WYE_1	Displacement Fundamental power factor		X
TotDFa	MV_0	Total Displacement power factor arithmetic mode		X
TotDFv	MV_0	Total Displacement power factor vector mode (Geometric)		X
Ires	MV_0	Residual current		X

3.4.17 Logical Node: MLFK\_0 (Custom LN not contained in IEC61850 part 7-4 definitions)

Description: Flicker Measurements

LN Class: MFLK (Custom LN Class not contained in IEC61850 part 7-4 definitions)

This LN shall be used for calculation of flicker including voltage fluctuations according to IEC Standard 61000-4-15. The main use is for operative applications

Attribute	Attr. Type	Explanation	T	X
Mod	INC_0	Mode		
Beh	INS_0	Behavior		
Health	INS_0	Health		
NamPIt	LPL_2	Name Plate		
Pst	DEL_0	Perception Level for Flicker short term Van, Vbn, Vcn, (Bus 1 and Bus 2)		X
Plt	DEL_0	Perception Level for Flicker long term Van, Vbn, Vcn, (Bus 1 and Bus 2)		X
PiMax	DEL_0	Instantaneous Flicker Level (IFL)		X

Note: Delta class (DEL\_0) used for multi-phase measurements for WYE or DELTA connections since neutral is not measured for flicker

3.4.18 Logical Node: MFLO\_0 (Custom LN not contained in IEC61850 part 7-4 definitions)

Description: Fault Distance Measurement indicates the Fault Location

LN Class: MFLO (Custom LN Class not contained in IEC61850 part 7-4 definitions)

This LN shall be used for calculation of fault location. The main use is for operative applications. Fault location is determined using a single-ended impedance calculation that is based upon an algorithm using measured values. Refer to the M87x or M57x User Manuals for more information pertaining to fault location measurement and triggering.

Attribute	Attr. Type	Explanation	T	X
Mod	INC_0	Mode		
Beh	INS_0	Behaviour		
Health	INS_0	Health		
NamPlt	LPL_2	Name Plate		
FltDiskm	MV_0	Fault Distance  (Use the 70 Series Configurator to program the unit of measure. IEC61850 protocol has standardized on a unit of measure in kilometers. If during configuration another unit of measure is programmed by the user, then the value for Fault Distance will be measured in that unit of measure.)		

3.4.19 Logical Node: MHAI\_0

Description: Harmonics or Interharmonics totals - current and voltage (without individual harmonics)

LN Class: MHAI

Attribute	Attr. Type	Explanation	T	X
Mod	INC_0	Mode		
Beh	INS_0	Behaviour		
Health	INS_1	Health		
NamPlt	LPL_0	Name Plate		
TddA	WYE_0	Total Current Demand Distortion per IEEE 519		
ThdPhV	WYE_1	Voltage total Harmonic or Inter-harmonic Distortion for phase to ground		
ThdPPV	DEL_0	Voltage total Harmonic or Inter-harmonic Distortion for phase to phase		

3.4.20 Logical Node: MHAI\_1

Description: Harmonics or Inter-harmonics totals for voltage only (without individual harmonics))

LN Class: MHAI

Attribute	Attr. Type	Explanation	T	X
Mod	INC_0	Mode		
Beh	INS_0	Behaviour		
Health	INS_1	Health		
NamPlt	LPL_0	Name Plate		
ThdPhV	WYE_1	Voltage total Harmonic or Inter-harmonic Distortion for phase to ground		
ThdPPV	DEL_0	Voltage total Harmonic or Inter-harmonic Distortion for phase to phase		

3.4.21 Logical Node: MHAI\_2

Description: Harmonics or Interharmonics totals for Volts and Amps (including individual harmonics, phase related K factor and harmonic demand)

LN Class: MHAI

Attribute	Attr. Type	Explanation	T	X
Mod	INC_0	Mode		
Beh	INS_0	Behaviour		
Health	INS_1	Health		
NamPlt	LPL_0	Name Plate		
Hz	MV_0	Basic Frequency		
HA	HWYE_0	Phase related sequence of harmonics or inter-harmonics Current for A,B,C,N,Residual		
HPhV	HWYE_0	Sequence of Harmonics or Inter-harmonics for phase to ground voltages AN, BN, CN, NG		
HPPV	HDEL_0	Sequence of Harmonics or Inter-harmonics for phase to phase voltages AB,BC,CA		
HKf	WYE_0	Phase related K factor for A, B, C (Transformer derating)		
TddA	WYE_0	Total Current Demand Distortion (per IEEE 519, phase related)		
TddOddA	WYE_0	Total Current Demand Distortion odd components (per IEEE 519, phase related)		
TddEvnA	WYE_0	Total Current Demand Distortion even components (per IEEE 519, phase related)		
ThdPhV	WYE_1	Voltage total Harmonic or Inter-harmonic Distortion for phase to ground (phase related)		
ThdOddPhV	WYE_1	Voltage total Harmonic or Inter-harmonic Distortion for phase to ground (odd components)		
ThdEvnPhV	WYE_1	Voltage total Harmonic or Inter-harmonic Distortion for phase to ground (even components)		
ThdPPV	DEL_0	Voltage total Harmonic or Inter-harmonic Distortion for phase to phase		
ThdOddPPV	DEL_0	Voltage total Harmonic or Inter-harmonic Distortion for phase to phase (odd components)		
ThdEvnPPV	DEL_0	Voltage total Harmonic or Inter-harmonic Distortion for phase to phase (even components)		
NomA1	ASG_0	Normalizing demand current for Phase A used in IEEE 519 Tdd calculation (Harmonic Denominator)		
NomA2	ASG_0	Normalizing demand current for Phase B used in IEEE 519 Tdd calculation (Harmonic Denominator)		
NomA3	ASG_0	Normalizing demand current for Phase C used in IEEE 519 Tdd calculation (Harmonic Denominator)		
DmdIntH	ASG_1	Integration time for Thermal Demand of Harmonics (seconds)		X
RsDmdH	SPC_0	Reset Thermal Demand of Voltage total harmonic distortion		X

3.4.22 Logical Node: MHAI\_3

Description: Harmonics or Interharmonics totals for Volts only (including individual harmonics, and harmonic demand)

LN Class: MHAI

Attribute	Attr. Type	Explanation	T	X
Mod	INC_0	Mode		
Beh	INS_0	Behaviour		
Health	INS_1	Health		
NamPit	LPL_0	Name Plate		
Hz	MV_0	Basic Frequency		
HPhV	HWYE_0	Sequence of Harmonics or Inter-harmonics phase to ground voltages		
HPPV	HDEL_0	Sequence of Harmonics or Inter-harmonics phase to phase voltages		
ThdPhV	WYE_1	Voltage total Harmonic or Inter-harmonic Distortion for phase to ground		
ThdOddPhV	WYE_1	Voltage total Harmonic or Inter-harmonic Distortion for phase to ground (odd components)		
ThdEvnPhV	WYE_1	Voltage total Harmonic or Inter-harmonic Distortion for phase to ground (even components)		
ThdPPV	DEL_0	Voltage total Harmonic or Inter-harmonic Distortion for phase to phase		
ThdOddPPV	DEL_0	Voltage total Harmonic or Inter-harmonic Distortion for phase to phase (odd components)		
ThdEvnPPV	DEL_0	Voltage total Harmonic or Inter-harmonic Distortion for phase to phase (even components)		
DmdIntH	ASG_1	Integration time for Thermal Demand of Voltage total harmonic distortion (seconds)		X
RsDmdH	SPC_0	Reset Thermal Demand of Voltage total harmonic distortion		X



3.4.23 Logical Node: MMTR\_0

Description: Energy measurements

LN Class: MMTR

Attribute	Attr. Type	Explanation	T	X
Mod	INC_0	Mode		
Beh	INS_0	Behaviour		
Health	INS_1	Health		
NamPlt	LPL_0	Name Plate		
TotVAh	BCR_0	Total apparent power since last rest.		
SupWh	BCR_0	Real energy supply (default supply direction energy flow towards busbar)		
SupVARh	BCR_0	Reactive energy supply (default supply direction energy flow towards busbar)		
DmdWh	BCR_0	Real energy demand (default demand direction energy flow away from busbar)		
DmdVARh	BCR_0	Reactive energy demand (default demand direction energy flow away from busbar)		
RsEnergy	SPC_0	Reset Energy		X

3.4.24 Logical Node: MMXN\_0

Description: Voltage Measurements not allocated to a phase (Auxilliary or Reference voltages)

LN Class: MMXN\_0

Attribute	Attr. Type	Explanation	T	X
Mod	INC_0	Mode		
Beh	INS_0	Behaviour		
Health	INS_1	Health		
NamPlt	LPL_0	Name Plate		
Vol	MV_0_DB	Voltage V (rms) not allocated to a phase (i.e. auxiliary and reference voltages)		

3.4.25 Logical Node: MMXU\_0

Description: Standard measurements -  
 Present Thermal Demands - Bus 1 (M871)  
 Maximum Thermal Demands Bus 1 (M871)

LN Class: MMXU

Attribute	Attr. Type	Explanation	T	X
Mod	INC_0	Mode		
Beh	INS_0	Behaviour		
Health	INS_1	Health		
NamPlt	LPL_0	Name Plate		
TotW	MV_0_DB	Total active power (Total P)		
TotVAr	MV_0_DB	Total reactive power (Total Q)		
TotVA	MV_0_DB	Total apparent power (Total S)		
PPV	DEL_0_DB	Phase to Phase voltages		
PhV	WYE_2_DB	Phase to Ground voltages (A,B,C,N)		
A	WYE_3_DB	Phase Currents (A,B,C,N,Residual)		
W	WYE_1_DB	Phase active power (P)		
VAr	WYE_1_DB	Phase reactive power (Q)		
VA	WYE_1_DB	Phase apparent power (S)		

3.4.26 Logical Node: MMXU\_1

Description: Standard measurements –  
 Present Thermal Demands - Bus 1 (M571, M572, M872)  
 Bus 2 (M572, M872)  
 Maximum Thermal Demands - Bus 1 (M571, M572, M872)  
 Bus 2 (M572, M872)

LN Class: MMXU

Attribute	Attr. Type	Explanation	T	X
Mod	INC_0	Mode		
Beh	INS_0	Behaviour		
Health	INS_1	Health		
NamPlt	LPL_0	Name Plate		
TotW	MV_0_DB	Total active power (Total P)		
TotVAr	MV_0_DB	Total reactive power (Total Q)		
TotVA	MV_0_DB	Total apparent power (Total S)		
PPV	DEL_0_DB	Phase to Phase voltages		
PhV	WYE_2_DB	Phase to Ground voltages (A,B,C,N)		
A	WYE_0_DB	Phase Currents (A,B,C,Residual)		

<b>Attribute</b>	<b>Attr. Type</b>	<b>Explanation</b>	<b>T</b>	<b>X</b>
W	WYE_1_DB	Phase active power (P)		
VAr	WYE_1_DB	Phase reactive power (Q)		
VA	WYE_1_DB	Phase apparent power (S)		

3.4.27 Logical Node: MMXU\_2

Description: Standard measurements –  
 Present Thermal Demands, Bus 2 (M571, M871)  
 Minimum Thermal Demands, Bus 2 (M571, M871)  
 Maximum Thermal Demands Bus 2 (M571, M871)

LN Class: MMXU

Attribute	Attr. Type	Explanation	T	X
Mod	INC_0	Mode		
Beh	INS_0	Behaviour		
Health	INS_1	Health		
NamPlt	LPL_0	Name Plate		
PPV	DEL_0_DB	Phase to Phase voltages		
PhV	WYE_2_DB	Phase to Ground voltages (A,B,C,N)		

3.4.28 Logical Node: MMXU\_3

Description: Standard measurements –  
 Minimum Thermal Demands, Bus 1 (M571, M572,M871, M872)  
 Bus 2 (M572, M872)

LN Class: MMXU

Attribute	Attr. Type	Explanation	T	X
Mod	INC_0	Mode		
Beh	INS_0	Behaviour		
Health	INS_1	Health		
NamPlt	LPL_0	Name Plate		
TotW	MV_0_DB	Total active power (Total P)		
TotVAr	MV_0_DB	Total reactive power (Total Q)		
TotVA	MV_0_DB	Total apparent power (Total S)		
PPV	DEL_0_DB	Phase to Phase voltages		
PhV	WYE_2_DB	Phase to Ground voltages (A,B,C,N)		
W	WYE_1_DB	Phase active power (P)		
VAr	WYE_1_DB	Phase reactive power (Q)		
VA	WYE_1_DB	Phase apparent power (S)		

3.4.29 Logical Node: MMXU\_4

Description: Standard measurements –

Fundamental Thermal Demands,  
 Maximum Fundamental Thermal Demands for Bus 1 (M871)

LN Class: MMXU

Attribute	Attr. Type	Explanation	T	X
Mod	INC_0	Mode		
Beh	INS_0	Behaviour		
Health	INS_1	Health		
NamPlt	LPL_0	Name Plate		
A	WYE_3_DB	Phase Currents (A,B,C,N,Residual)		

3.4.30 Logical Node: MMXU\_5

Description: Standard measurements –

Fundamental Thermal Demands,  
 Fundamental Thermal Demands - Bus 1 (M571, M572, M872),

Maximum

Fundamental Thermal Demands,  
 Maximum Fundamental Thermal Demands for Bus 2 (M572, M872)

Note: Bus 2 (M571, M871) will not measure either Fundamental Thermal Demands or Maximum Fundamental Thermal Demands since Bus 2 current is absent in those devices.

LN Class: MMXU

Attribute	Attr. Type	Explanation	T	X
Mod	INC_0	Mode		
Beh	INS_0	Behaviour		
Health	INS_1	Health		
NamPlt	LPL_0	Name Plate		
A	WYE_0_DB	Phase Currents (A,B,C,Residual)		

3.4.31 Logical Node: MMXU\_6

Description: Standard measurements – Fundamental (Fourier) Values for Bus 1 (M871)

LN Class: MMXU

Attribute	Attr. Type	Explanation	T	X
Mod	INC_0	Mode		
Beh	INS_0	Behaviour		
Health	INS_1	Health		
NamPlt	LPL_0	Name Plate		
TotW	MV_0_DB	Total active power (Total P)		
TotVAr	MV_0_DB	Total reactive power (Total Q)		
TotVA	MV_0_DB	Total apparent power (Total S)		
TotPF	MV_0_DB	Average power factor (Total PF)		
Hz	MV_0_DB	Frequency		
PPV	DEL_0_DB	Phase to Phase voltages (AB,BC,CA)		
PhV	WYE_1_DB	Phase to Ground voltages (A,B,C)		
A	WYE_3_DB	Phase Currents (A,B,C,N,Residual)		
W	WYE_1_DB	Phase active power (P)		
VAr	WYE_1_DB	Phase reactive power (Q)		
VA	WYE_1_DB	Phase apparent power (S)		
PF	WYE_1_DB	Phase power factor		

3.4.32 Logical Node: MMXU\_7

Description: Standard measurements –Fundamental (Fourier) Values for  
 Bus 1 (M571, M572, M872) or  
 Bus 2 (M572, M872)

LN Class: MMXU

Attribute	Attr. Type	Explanation	T	X
Mod	INC_0	Mode		
Beh	INS_0	Behaviour		
Health	INS_1	Health		
NamPlt	LPL_0	Name Plate		
TotW	MV_0_DB	Total active power (Total P)		
TotVAr	MV_0_DB	Total reactive power (Total Q)		
TotVA	MV_0_DB	Total apparent power (Total S)		
TotPF	MV_0_DB	Average power factor (Total PF)		
Hz	MV_0_DB	Frequency		
PPV	DEL_0_DB	Phase to Phase voltages		
PhV	WYE_1_DB	Phase to Ground voltages (A.B.C)		
A	WYE_0_DB	Phase Currents (A,B,C,Residual)		
W	WYE_1_DB	Phase active power (P)		
VAr	WYE_1_DB	Phase reactive power (Q)		
VA	WYE_1_DB	Phase apparent power (S)		
PF	WYE_1_DB	Phase power factor		

3.4.33 Logical Node: MMXU\_8

Description: Standard measurements – Fundamental (Fourier) Values for  
 Bus 2, Volts only (M571, M871)

LN Class: MMXU

Attribute	Attr. Type	Explanation	T	X
Mod	INC_0	Mode		
Beh	INS_0	Behaviour		
Health	INS_1	Health		
NamPlt	LPL_0	Name Plate		
Hz	MV_0_DB	Frequency		
PPV	DEL_0_DB	Phase to Phase voltages		
PhV	WYE_1_DB	Phase to Ground voltages (A.B.C)		

3.4.34 Logical Node: MMXU\_9

Description: Standard measurements – Bus 1 (M871)

LN Class: MMXU

Attribute	Attr. Type	Explanation	T	X
Mod	INC_0	Mode		
Beh	INS_0	Behaviour		
Health	INS_1	Health		
NamPlt	LPL_0	Name Plate		
TotW	MV_0_DB	Total active power (Total P)		
TotVAr	MV_0_DB	Total reactive power (Total Q)		
TotVA	MV_0_DB	Total apparent power (Total S)		
TotPF	MV_0_DB	Average power factor (Total PF)		
Hz	MV_0_DB	Frequency		
PPV	DEL_0_DB	Phase to Phase voltages (AB,BC,CA)		
PhV	WYE_2_DB	Phase to Ground voltages (A,B,C,N)		
A	WYE_3_DB	Phase Currents (A,B,C,N,Residual)		
W	WYE_1_DB	Phase active power (P)		
VAr	WYE_1_DB	Phase reactive power (Q)		
VA	WYE_1_DB	Phase apparent power (S)		
PF	WYE_1_DB	Phase power factor		
Z	WYE_1_DB	Phase Impedance		
DmdIntA	ASG_1	Integration time (interval) for Thermal Demand Current		X
DmdIntP	ASG_1	Integration time (interval) for Thermal Demand Power		X
DmdIntV	ASG_1	Integration time (interval) for Thermal Demand Voltage		X
RsDmdA	SPC_0	Reset of Thermal Demand Current		X
RsDmdP	SPC_0	Reset of Thermal Demand Power		X
RsDmdV	SPC_0	Reset of Thermal Demand Voltage		X



3.4.35 Logical Node: MMXU\_10

Description: Standard measurements – Bus 1 (M571, M572, M872) or  
 measurements – Bus 2 (M572, M872)

Standard

LN Class: MMXU

Attribute	Attr. Type	Explanation	T	X
Mod	INC_0	Mode		
Beh	INS_0	Behaviour		
Health	INS_1	Health		
NamPlt	LPL_0	Name Plate		
TotW	MV_0_DB	Total active power (Total P)		
TotVAr	MV_0_DB	Total reactive power (Total Q)		
TotVA	MV_0_DB	Total apparent power (Total S)		
TotPF	MV_0_DB	Average power factor (Total PF)		
Hz	MV_0_DB	Frequency		
PPV	DEL_0_DB	Phase to Phase voltages (AB,BC,CA)		
PhV	WYE_2_DB	Phase to Ground voltages (A B,C,N)		
A	WYE_0_DB	Phase Currents (A,B,C,Residual)		
W	WYE_1_DB	Phase active power (P)		
VAr	WYE_1_DB	Phase reactive power (Q)		
VA	WYE_1_DB	Phase apparent power (S)		
PF	WYE_1_DB	Phase power factor		
Z	WYE_1_DB	Phase Impedance		
DmdIntA	ASG_1	Integration time (interval) for Thermal Demand Current		X
DmdIntP	ASG_1	Integration time (interval) for Thermal Demand Power		X
DmdIntV	ASG_1	Integration time (interval) for Thermal Demand Voltage		X
RsDmdA	SPC_0	Reset of Thermal Demand Current		X
RsDmdP	SPC_0	Reset of Thermal Demand Power		X
RsDmdV	SPC_0	Reset of Thermal Demand Voltage		X

3.4.36 Logical Node: MMXU\_11

Description: Standard measurements – Bus 2 (M571, M871)

LN Class: MMXU

Attribute	Attr. Type	Explanation	T	X
Mod	INC_0	Mode		
Beh	INS_0	Behaviour		
Health	INS_1	Health		
NamPlt	LPL_0	Name Plate		
Hz	MV_0_DB	Frequency		
PPV	DEL_0_DB	Phase to Phase voltages(AB,BC,CA)		
PhV	WYE_2_DB	Phase to Ground voltages (A,B,C,N)		
DmdIntA	ASG_1	Integration time (interval) for Thermal Demand Current		X
DmdIntP	ASG_1	Integration time (interval) for Thermal Demand Power		X
DmdIntV	ASG_1	Integration time (interval) for Thermal Demand Voltage		X
RsDmdA	SPC_0	Reset of Thermal Demand Current		X
RsDmdP	SPC_0	Reset of Thermal Demand Power		X
RsDmdV	SPC_0	Reset of Thermal Demand Voltage		X

3.4.37 Logical Node: MSQI\_0

Description: Sequence and imbalance for Volts and Amps (Pos, Neq, Zero)

LN Class: MSQI

Attribute	Attr. Type	Explanation	T	X
Mod	INC_0	Mode		
Beh	INS_0	Behaviour		
Health	INS_1	Health		
NamPlt	LPL_0	Name Plate		
SeqA	SEQ_0_DB	Positive, Negative and Zero Sequence Current		
SeqV	SEQ_0_DB	Positive, Negative and Zero Sequence Voltage		
ImbNgA	MV_0_DB	Imbalance negative sequence current		
ImbNgV	MV_0_DB	Imbalance negative sequence voltage		
ImbZroA	MV_0_DB	Imbalance zero sequence current		
ImbZroV	MV_0_DB	Imbalance zero sequence voltage		

3.4.38 Logical Node: MSQI\_1

Description: Sequence and imbalance for Voltage only (Pos, Neq, Zero)

LN Class: MSQI

Attribute	Attr. Type	Explanation	T	X
Mod	INC_0	Mode		
Beh	INS_0	Behaviour		
Health	INS_1	Health		
NamPlt	LPL_0	Name Plate		
SeqV	SEQ_0_DB	Positive, Negative and Zero Sequence Voltage		
ImbNgV	MV_0_DB	Imbalance negative sequence voltage		
ImbZroV	MV_0_DB	Imbalance zero sequence voltage		

3.4.39 Logical Node: MSYN\_0 (Custom LN not contained in IEC61850 part 7-4 definitions)

Description: Synchronism check (this LN is customized from RSYN, but is different)

LN Class: MSYN (Custom LN Class not contained in IEC61850 part 7-4 definitions)

Attribute	Attr. Type	Explanation	T	X
Mod	INC_0	Mode		
Beh	INS_0	Behaviour		
Health	INS_0	Health		
NamPlt	LPL_2	Name Plate		
DifVClc	MV_0	Calculated difference in Voltage		
DifHzClc	MV_0	Calculated difference in Frequency		
DifAngClc	MV_0	Calculated difference in Phase Angle		

3.4.40 Logical Node: MTMP\_0 (Custom LN not contained in IEC61850 part 7-4 definitions)

Description: Internal Ambient Temperature of Logical Device

LN Class: MTMP (Custom LN Class not contained in IEC61850 part 7-4 definitions)

Attribute	Attr. Type	Explanation	T	X
Mod	INC_0	Mode		
Beh	INS_0	Behavior		
Health	INS_0	Health		
NamPlt	LPL_2	Name Plate		
TmpVal	MV_0	Value for internal ambient Temperature in degree C		X

3.4.41 Logical Node: RDRE\_0

Description: Disturbance Recorder function (Mx70 disturbance and waveform recorders))

LN Class: RDRE

Attribute	Attr. Type	Explanation	T	X
Mod	INC_0	Mode		
Beh	INS_0	Behaviour		
Health	INS_1	Health		
NamPlt	LPL_0	Name Plate		
RcdTrg	SPC_1	Trigger recorder (Manual trigger)		
RcdMade	SPS_0	Recording made		
FltNum	INS_3	Fault number		
RcdStr	SPS_0	Recording started		
MemUsed	INS_3	Memory Used in %		
PreTmms	ING_0	Pre-trigger time (msec)		
PstTmms	ING_0	Post-trigger time (msec)		
MemFull	ING_0	Memory Full level		
OpMod	ING_1	Operate Mode (Overwrite = 1, Stop on full = 2)		
FullSt	SPS_1	Recorder status is full		X

3.4.42 Logical Node: TCTR\_0

Description: Current Transformer

LN Class: TCTR

Attribute	Attr. Type	Explanation	T	X
Mod	INC_0	Mode		
Beh	INS_0	Behaviour		
Health	INS_1	Health		
NamPlt	LPL_0	Name Plate		
Amp	SAV_0	Current (sampled value)		
Rat	ASG_0	Winding ratio of an external current transformer (transducer)		
Cor	ASG_0	Current phasor magnitude correction of an external current transformer		
AngCor	ASG_0	Current phasor angle correction of an external current transformer		

3.4.43 Logical Node: TVTR\_0

Description: Voltage Transformer

LN Class: TVTR

Attribute	Attr. Type	Explanation	T	X
Mod	INC_0	Mode		
Beh	INS_0	Behaviour		
Health	INS_1	Health		
NamPlt	LPL_0	Name Plate		
Vol	SAV_0	Voltage (sampled value)		
Rat	ASG_0	Winding ratio of an external voltage transformer (transducer)		
Cor	ASG_0	Magnitude correction of an external voltage transformer		
AngCor	ASG_0	Phase Angle correction of an external voltage transformer		

### 3.5 Common Data Class definitions

The definition tables for each of the Common Data Classes used in the Logical Node definitions are presented in the following sub-sections.

From an application point-of-view the data attributes of a Common Data Class are classified according to their specific use. The characterization of data attributes, and the services that they support/provide, will be through the use of 'Functional Constraints'. The Functional Constraints are specified by the table below:

FC Name	Semantic	Source Definition
BR	Buffered reports	IEC61850-7-2
CF	Configuration	IEC61850-7-2
CO	Control	IEC61850-7-2
DC	Description	IEC61850-7-2
EX	Extended Definition	IEC61850-7-2
GO	GOOSE Control	IEC61850-7-2
GS	GSSE Control (UCA2 GOOSE) – NOT USED in Mx70 devices	IEC61850-7-2
LG	Logging – NOT USED in Mx70 devices	IEC61850-7-2
MS	Multicast sampled value control – NOT USED in Mx70 devices	IEC61850-7-2
MX	Measurands (Analogue values)	IEC61850-7-2
RP	Unbuffered reports	IEC61850-7-2
SE	Setting Group Editable – NOT USED in Mx70 devices	IEC61850-7-2
SG	Setting Group	IEC61850-7-2
SP	Set Point	IEC61850-7-2
ST	Status Information	IEC61850-7-2
SV	Substitution Values – NOT USED in Mx70 devices	IEC61850-7-2
US	Unicast sampled value control – NOT USED in Mx70 devices	IEC61850-7-2
XX	Data attribute service parameters	IEC61850-7-2

To elaborate on the data “types” used in the common data classes (or CDCs), the data attributes, as defined in the tables, reflect the revised attribute “types” in order to correspond with the data having either an integer value of 32 bits (INT32), or an enumerated value of 8 bits (ENUMERTED8). The attribute “types” defined for the common data classes, INC, ING and INS, have been revised, with the values shown in parentheses to indicate the types that have been replaced in standard IEC61850, 1<sup>st</sup> edition. It was necessary to eliminate some confusion that existed in the data definitions. The corresponding data objects of Mod, Beh, Health, and PhyHealth use the enumerated versions for the CDCs. All other uses of the 3 CDCs use the INT32 version. An 8 bit enumeration is possible, because all enumerations (so far) have less the 128 possible standardized values.

3.5.1 Common Data Class: ASG\_0

Description: Analogue Setting

CDC Class: ASG

Attribute	Type	FC	Enumeration	Comment	X
setMag	AnalogueValue_0	SP		AnalogueValue	
d	VISIBLE_STRING255	DC		Description of the status element. Textual description of the data	

3.5.2 Common Data Class: ASG\_1

Description: Analogue Setting for Bitronics non standard data class

CDC Class: ASG

Attribute	Type	FC	Enumeration	Comment	X
setMag	AnalogueValue_0	SP		AnalogueValue	
d	VISIBLE_STRING255	DC		Description of the status element. Textual description of the data	
dataNs	VISIBLE_STRING255	EX		Data name space	

3.5.3 Common Data Class: BCR\_0

Description: Binary counter reading

CDC Class: BCR

Attribute	Type	FC	Enumeration	Comment	X
actVal	INT32	ST		Binary counter status is a 32 bit Integer value.	
q	Quality	ST		Quality of the measurement value	
t	TimeStamp	ST		Time deadbanded magnitude last exceeded its db configuration parameter	
pulsQty	FLOAT32	CF		Engineering units = PulsQty x actVal	
d	VISIBLE_STRING255	DC		Description of the status element. Textual description of the data	

3.5.4 Common Data Class: CMV\_0

Description: Complex Measured value (Floating Point Magnitude)

CDC Class: CMV

Attribute	Type	FC	Enumeration	Comment	X
instCVal	Vector_0	MX		Instantaneous complex measured vector	
cVal	Vector_0	MX		Deadband complex measured vector value (Magnitude only). The value of cVal is updated to the current value of instCVal. I.e. cVal will track to instCVal for this CDC.	
q	Quality	MX		Quality of the measurement value	
t	TimeStamp	MX		Measured value Timestamp	

3.5.5 Common Data Class: CMV\_0\_DB

Description: Complex Measured value (Floating Point Magnitude) with deadband configuration

CDC Class: CMV

Attribute	Type	FC	Enumeration	Comment	X
instCVal	Vector_0	MX		Instantaneous complex measured vector value	
cVal	Vector_0	MX		Deadband complex measured vector value (Magnitude only). If db=0, then cVal is updated to the current value of instCVal, i.e. cVal will track to instCVal.	
q	Quality	MX		Quality of the measurement value	
t	TimeStamp	MX		Measured value Timestamp	
units	Unit_Multiplier	CF		Units of the attributes that represent the data	
db	INT32U	CF		Configuration parameter used to calculate all deadband attributes	
rangeC	RangeConfig_Deadband	CF		Configuration parameters as used in the context with the range attribute	



3.5.6 Common Data Class: CMV\_1

Description: Complex Measured value (Floating Point Magnitude and Angle)

CDC Class: CMV

Attribute	Type	FC	Enumeration	Comment	X
instCVal	Vector_1	MX		Instantaneous complex measured vector	
cVal	Vector_1	MX		Deadband complex measured vector value (Magnitude and Phase). The value of cVal is updated to the current value of instCVal, i.e. cVal will track to instCVal for this CDC.	
q	Quality	MX		Quality of the measurement value	
t	TimeStamp	MX		Measured value Timestamp	

3.5.7 Common Data Class: CMV\_1\_DB

Description: Complex Measured value (Floating Point Magnitude and Angle)) with deadband configuration

CDC Class: CMV

Attribute	Type	FC	Enumeration	Comment	X
instCVal	Vector_1	MX		Instantaneous complex measured vector value	
cVal	Vector_1	MX		Deadband complex measured vector value (Magnitude and Phase).  If db=0, then cVal is updated to the current value of instCVal, i.e. cVal will track to instCVal.	
q	Quality	MX		Quality of the measurement value	
t	TimeStamp	MX		Measured value Timestamp	
units	Unit_Multiplier	CF		Units of the attributes that represent the data	
db	INT32U	CF		Configuration parameter used to calculate all deadband attributes	
rangeC	RangeConfig_Deadband	CF		Configuration parameters as used in the context with the range attribute	

3.5.8 Common Data Class: DEL\_0

Description: Phase to phase measurements for a 3-Phase system

CDC Class: DEL

Attribute	Type	FC	Enumeration	Comment	X
phsAB	CMV_0	--		Measurement values for Phase A to Phase B	
phsBC	CMV_0	--		Measurement values for Phase B to Phase C	
phsCA	CMV_0	--		Measurement values for Phase C to Phase A	
d	VISIBLE_STRING255	DC		Description of the status element. Textual description of the data	

3.5.9 Common Data Class: DEL\_0\_DB

Description: Phase to phase measurements for a 3-Phase system with deadband configuration

CDC Class: DEL

Attribute	Type	FC	Enumeration	Comment	X
phsAB	CMV_0_DB	--		Measurement values for Phase A to Phase B	
phsBC	CMV_0_DB	--		Measurement values for Phase B to Phase C	
phsCA	CMV_0_DB	--		Measurement values for Phase C to Phase A	
d	VISIBLE_STRING255	DC		Description of the status element. Textual description of the data	

3.5.10 Common Data Class: DPC\_STATUS

Description: Controllable Double Point – Status only

CDC Class: DPC

Attribute	Type	FC	Enumeration	Comment	X
INC_stVal	Dbpos	ST		Status value of the data	
q	Quality	ST		Quality of the status value	
t	TimeStamp	ST		Timestamp of the last change in state of status value	
ctlModel	ENUMERATED8 (MMS Type: INT8)	CF	ctlModel_statusOnly	Control model (Corresponding to the behaviour of the data)	
d	VISIBLE_STRING255	DC		Description of the status element. Textual description of the data	

3.5.11 Common Data Class: DPL\_0

Description: Standard Device Name Plate

CDC Class: DPL

Attribute	Type	FC	Enumeration	Comment	X
vendor	VISIBLE_STRING255	DC		Name of the vendor	
hwRev	VISIBLE_STRING255	DC		Hardware revision	
swRev	VISIBLE_STRING255	DC		Software revision	
serNum	VISIBLE_STRING255	DC		Serial Number	
model	VISIBLE_STRING255	DC		Model Number	
location	VISIBLE_STRING255	DC		Physical location of device	

### 3.5.12 Common Data Class: HWYE\_0

Description: Phase to Ground harmonics measurements for a 3 phase system

CDC Class: HWYE

Harmonic value for Wye represents the harmonic content of phase-to-neutral and neutral-to-ground quantities. Both magnitudes and phase angles are represented as arrays of floating point quantities. The first index (index=0) of each array represents the DC component and index=N represents the component at  $FREQ = N * f$ , where "f" is the fundamental frequency.

Attribute	Type	FC	Enumeration	Comment	X
q	Quality	MX		The quality of the status value	
t	TimeStamp	MX		Timestamp of the last change in state	
phsAHar	Vector_1[64]	MX		Magnitude and Angle of all (64) phase A harmonics	
phsBHar	Vector_1[64]	MX		Magnitude and Angle of all (64) phase B harmonics	
phsCHar	Vector_1[64]	MX		Magnitude and Angle of all (64)phase C harmonics	
numHar	INT16U	CF		Number of harmonic values	
numCyc	INT16U	CF		Number of cycles of power frequency used for harmonic calculation	
evalTm	INT16U	CF		Time window applied to interharmonic calculations. Value is in ms.	
frequency	FLOAT32	CF		Frequency	
hvRef	ENUMERATED8	CF	hvRef	Reference type (i.e.ratio of harmonic to fundamental., to RMS, or to absolute)	
d	VISIBLE_STRING255	DC		Description of the status element. Textual description of the data	

3.5.13 Common Data Class: HDEL\_0

Description: Phase to Phase harmonics measurements for a 3 phase system

CDC Class: HWYE

The Harmonic value for Delta represents the harmonic content of phase-to-phase quantities. Both magnitudes and phase angles are represented as arrays of floating point quantities. The first index (index=0) of each array represents the DC component and index=N represents the component at  $FREQ = N * f$ , where "f" is the fundamental frequency.

Attribute	Type	FC	Enumeration	Comment	X
q	Quality	MX		The quality of the status value	
t	TimeStamp	MX		Timestamp of the last change in state	
phsABHar	Vector_1[64]	MX		Magnitude and Angle of all (64) phase A harmonics	
phsBCHar	Vector_1[64]	MX		Magnitude and Angle of all (64) phase B harmonics	
phsCAHar	Vector_1[64]	MX		Magnitude and Angle of all (64) phase C harmonics	
numHar	INT16U	CF		Number of harmonic values	
numCyc	INT16U	CF		Number of cycles of power frequency used for harmonic calculation	
evalTm	INT16U	CF		Time window applied to interharmonic calculations. Value is in ms.	
frequency	FLOAT32	CF		Frequency	
hvRef	ENUMERATED8	CF	hvRef	Reference type (i.e. ratio of harmonic to fundamental., to RMS, or to absolute)	
d	VISIBLE_STRING255	DC		Description of the status element. Textual description of the data	

3.5.14 Common Data Class: INC\_0

Description: Controllable Enumerated Status (used for Logical Node Mode control)

CDC Class: INC

Attribute	Type	FC	Enumeration	Comment	X
stVal	ENUMERATED8 (MMS Type: INT8)	ST	Mod	The element status	
q	Quality	ST		Quality of the status value	
t	TimeStamp	ST		Timestamp of the last change in state of status value	
ctlModel	ENUMERATED8 (MMS Type: INT8)	CF	ctlModel_statusOnly	Control model (Corresponding to the behavior of the data)	

3.5.15 Common Data Class: ING\_0

Description: Integer Set Point (32 bits)

CDC Class: ING

Attribute	Type	FC	Enumeration	Comment	X
setVal	INT32 (MMS Type: INT32)	SP		The element status	
d	VISIBLE_STRING255	DC		Description of the status element. Textual description of the data	

3.5.16 Common Data Class: ING\_1

Description: Enumerated Set Point (8 bits)

CDC Class: ING

Attribute	Type	FC	Enumeration	Comment	X
setVal	ENUMERATED8 (MMS Type: INT8)	SP	OpMod	The element status	
d	VISIBLE_STRING255	DC		Description of the status element. Textual description of the data	

3.5.17 Common Data Class: INS\_0 (Ed2: Dataclass would be called ENS\_0)

Description: Enumerated Status (for Behavior)

CDC Class: INS

Attribute	Type	FC	Enumeration	Comment	X
stVal	ENUMERATED8 (MMS Type: INT8)	ST	Beh	The element status	
q	Quality	ST		The quality of the status value	
t	TimeStamp	ST		Timestamp of the last change in state	

3.5.18 Common Data Class: INS\_1 (Ed2: Data class would be called ENS\_1)

Description: Enumerated Status (for Health)

CDC Class: INS

Attribute	Type	FC	Enumeration	Comment	X
stVal	ENUMERATED8 (MMS Type: INT8)	ST	Health	The element status	
q	Quality	ST		The quality of the status value	

<b>Attribute</b>	<b>Type</b>	<b>FC</b>	<b>Enumeration</b>	<b>Comment</b>	<b>X</b>
t	TimeStamp	ST		Timestamp of the last change in state	

3.5.19 Common Data Class: INS\_2 (Ed2: Dataclass would be called ENS\_2)

Description: Enumerated Status (for Physical Device Health)

CDC Class: INS

Attribute	Type	FC	Enumeration	Comment	X
stVal	ENUMERATED8 (MMS Type: INT8)	ST	Health	The element status	
q	Quality	ST		The quality of the status value	
t	TimeStamp	ST		Timestamp of the last change in state	
d	VISIBLE_STRING255	DC		Description of the status element. Textual description of the data	

3.5.20 Common Data Class: INS\_3

Description: Integer Status 32 bits

CDC Class: INS

Attribute	Type	FC	Enumeration	Comment	X
stVal	INT32 (MMS Type: INT32)	ST		The element status	
q	Quality	ST		The quality of the status value	
t	TimeStamp	ST		Timestamp of the last change in state	
d	VISIBLE_STRING255	DC		Description of the status element. Textual description of the data	

3.5.21 Common Data Class: LPL\_0

Description: Standard (or Basic) Logical Node Name Plate for the Measurements Logical Device

CDC Class: LPL

Attribute	Type	FC	Enumeration	Comment	X
vendor	VISIBLE_STRING255	DC		Name of the vendor	
swRev	VISIBLE_STRING255	DC		Software revision	
d	VISIBLE_STRING255	DC		Description - a text string that refers to the logical node	

3.5.22 Common Data Class: LPL\_1

Description: Logical Node 0 Name Plate

CDC Class: LPL

Attribute	Type	FC	Enumeration	Comment	X
vendor	VISIBLE_STRING255	DC		Name of the vendor	
swRev	VISIBLE_STRING255	DC		Software revision	
d	VISIBLE_STRING255	DC		Description - a text string that refers to the logical node	
configRev	VISIBLE_STRING255	DC		Uniquely identifies the configuration of a local device instance	
IdNs	VISIBLE_STRING255	EX		Logical Device name space	

3.5.23 Common Data Class: LPL\_2

Description: Bitronics Non-Standard Logical Node Name Plate

CDC Class: LPL

Attribute	Type	FC	Enumeration	Comment	X
vendor	VISIBLE_STRING255	DC		Name of the vendor	
swRev	VISIBLE_STRING255	DC		Software revision	
d	VISIBLE_STRING255	DC		Description - a text string that refers to the logical node	
IdNs	VISIBLE_STRING255	EX		Logical Device name space	

3.5.24 Common Data Class: MV\_0

Description: Measured deadbanded and instantaneous values (Floating Point values

CDC Class: MV

Attribute	Type	FC	Enumeration	Comment	X
instMag	AnalogueValue_0	MX		Magnitude of the instantaneous measured value.	
mag	AnalogueValue_0	MX		Deadbanded magnitude of the instantaneous value of a measured value or harmonic value. Updated to the current value of instMag when the value has changed.	
q	Quality	MX		Quality of the measurement value	
t	TimeStamp	MX		Time deadbanded magnitude last exceeded its db configuration parameter	
d	VISIBLE_STRING255	DC		Description of the status element. Textual description of the data	



3.5.25 Common Data Class: MV\_0\_DB

Description: Measured deadbanded and instantaneous values (Floating Point values) with deadband configuration

CDC Class: MV

Attribute	Type	FC	Enumeration	Comment	X
instMag	AnalogueValue_0	MX		Magnitude of the instantaneous measured value.	
mag	AnalogueValue_0	MX		Deadbanded magnitude of the instantaneous value of a measured value or harmonic value.  If db=0, then mag is updated to the current value of instMag, i.e. mag will track to instMag	
q	Quality	MX		Quality of the measurement value	
t	TimeStamp	MX		Time deadbanded magnitude last exceeded its db configuration parameter	
d	VISIBLE_STRING255	DC		Description of the status element. Textual description of the data	
units	Unit_Multiplier	CF		Units of the attributes that represent the data	
db	INT32U	CF		Configuration parameter used to calculate all deadbanded attributes	
rangeC	RangeConfig_Deadband	CF		Configuration parameters as used in the context with the range attribute	

3.5.26 Common Data Class: MV\_1

Description: Measured value (Floating Point value)

CDC Class: MV

Attribute	Type	FC	Enumeration	Comment	X
mag	AnalogueValue_0	MX		Deadbanded magnitude of the instantaneous value of a measured value or harmonic value. Updated to the current value of instMag when the value has changed.	
q	Quality	MX		Quality of the measurement value	
t	TimeStamp	MX		Time deadbanded magnitude last exceeded its db configuration parameter	
d	VISIBLE_STRING255	DC		Description of the status element. Textual description of the data	

3.5.27 Common Data Class: SAV\_0

Description: Sampled value (Floating Point value)

CDC Class: SAV

Attribute	Type	FC	Enumeration	Comment	X
instMag	AnalogueValue_0	MX		Magnitude of the sampled value	
q	Quality	MX		Quality of the sampled value	
d	VISIBLE_STRING255	DC		Textual description of the data	

3.5.28 Common Data Class: SEQ\_0

Description: Sequence components of a measurement value (includes Magnitudes + Angles)

CDC Class: SEQ

Attribute	Type	FC	Enumeration	Comment	X
c1	CMV_1	--		Sequence component 1 (Positive)	
c2	CMV_1	--		Sequence component 2 (Negative)	
c3	CMV_1	--		Sequence component 3 (Zero)	
seqT	ENUMERATED8 (MMS Type: INT8)	MX	seqT	Sequence quantity measurement type (Pos-Neg-Zero or Dir-Quad-Zero)	
d	VISIBLE_STRING255	DC		Description of the status element. Textual description of the data	

3.5.29 Common Data Class: SEQ\_0\_DB

Description: Sequence components of a measurement value (includes Magnitudes + Angles) with deadband configuration

CDC Class: SEQ

Attribute	Type	FC	Enumeration	Comment	X
c1	CMV_1_DB	--		Sequence component 1 (Positive)	
c2	CMV_1_DB	--		Sequence component 2 (Negative)	
c3	CMV_1_DB	--		Sequence component 3 (Zero)	
seqT	ENUMERATED8 (MMS Type: INT8)	MX	seqT	Sequence quantity measurement type (Pos-Neg-Zero or Dir-Quad-Zero)	
d	VISIBLE_STRING255	DC		Description of the status element. Textual description of the data	

3.5.30 Common Data Class: SPC\_0

Description: Controllable Single Point - Bitronics non-standard data object  
 Controllable Single Point that allows only Direct Operate with normal security.

CDC Class: SPC

Attribute	Type	FC	Enumeration	Comment	X
Oper	OperBOOL_0	CO		Direct Operate control ,On or Off	
stVal	BOOLEAN	ST		Status value of the data	
q	Quality	ST		Quality of the status value	
t	TimeStamp	ST		Timestamp of the last change in state of status value	
stSeld	BOOLEAN	ST		The controllable data is in the status "selected".	
ctlModel	ENUMERATED8 (MMS Type: INT8)	CF	ctlModel_directNS	Control model (Corresponding to the behaviour of the data)	
d	VISIBLE_STRING255	DC		Description of the status element. Textual description of the data	
dataNs	VISIBLE_STRING255	EX		Data name space	

3.5.31 Common Data Class: SPC\_1

Description: Controllable Single Point - Direct operate with normal security only

CDC Class: SPC

Attribute	Type	FC	Enumeration	Comment	X
Oper	Oper BOOL_0	CO		Direct Operate Boolean control ,On or Off	
stVal	BOOLEAN	ST		Status value of the data	
q	Quality	ST		Quality of the status value	
t	TimeStamp	ST		Timestamp of the last change in state of status value	
stSeld	BOOLEAN	ST		The controllable data is in the status "selected".	
ctlModel	ENUMERATED8 (MMS Type: INT8)	CF	ctlModel_directNS	Control model (Corresponding to the behaviour of the data)	
d	VISIBLE_STRING255	DC		Description of the status element. Textual description of the data	

3.5.32 Common Data Class: SPC\_3

Description: Controllable Single Point – Direct Operate or SBO with normal security (Digital Outputs option )

CDC Class: SPC

Attribute	Type	FC	Enumeration	Comment	X
SBO	VISIBLE_STRING65	CO		Control data name is Select before operate (SBO)	
Oper	OperBOOL_0	CO		The operate request that initiates the control operation. On receipt of the operate request , the control object shall check validation of the control execution: <ul style="list-style-type: none"> <li>• If not successful, the control object shall issue a negative response to the requesting client</li> <li>• If successful, the control object shall issue a positive response to the requesting client and cause the requested action</li> </ul>	
Cancel	CancelBOOL_0	CO		The operation request to cancel the control function	
stVal	BOOLEAN	ST		Status value of the data	
q	Quality	ST		Quality of the status value	
t	TimeStamp	ST		Timestamp of the last change in state of status value	
stSeld	BOOLEAN	ST		The controllable data is in the status "selected".	
ctlModel	ENUMERATED8 (MMS Type: INT8)	CF	ctlModel_noES	Control model (Corresponding to the behaviour of the data)	
sboTimeout	INT32U	CF		Set before operate (SBO) timeout setting.in ms.  sboTimeout is specified according to the control model that corresponds to the behaviour of the data.	
sboClass	Enumerated8	CF		Select before operate (SBO) class – operate once or operate many.  sboClass is specified according to the control model that corresponds to the behaviour of the data.	
d	VISIBLE_STRING255	DC		Description of the status element. Textual description of the data	

3.5.33 Common Data Class: SPS\_0

Description: Standard Single Point Status

CDC Class: SPS

Attribute	Type	FC	Enumeration	Comment	X
stVal	BOOLEAN	ST		The element status (TRUE or FALSE)	
q	Quality	ST		The quality of the status value	
t	TimeStamp	ST		Timestamp of the last change in state	
d	VISIBLE_STRING255	DC		Description of the status element. Textual description of the data	

3.5.34 Common Data Class: SPS\_1

Description: Single Point Status - Bitronics non standard data object

CDC Class: SPS

Attribute	Type	FC	Enumeration	Comment	X
stVal	BOOLEAN	ST		The element status (TRUE or FALSE)	
q	Quality	ST		The quality of the status value	
t	TimeStamp	ST		Timestamp of the last change in state	
d	VISIBLE_STRING255	DC		Description of the status element. Textual description of the data	
dataNs	VISIBLE_STRING255	EX		Data name space	

3.5.35 Common Data Class: WYE\_0

Description: Phase to ground measurements for a 3-Phase system (Phase A,B,C + Residual) including Description

CDC Class: WYE

Attribute	Type	FC	Enumeration	Comment	X
phsA	CMV_0	--		Measurement values for Phase A	
phsB	CMV_0	--		Measurement values for Phase B	
phsC	CMV_0	--		Measurement values for Phase C	
res	CMV_0			Measurement values for residual	
d	VISIBLE_STRING255	DC		Description of the status element. Textual description of the data	

3.5.36 Common Data Class: WYE\_0\_DB

Description: Phase to ground measurements for a 3-Phase system (Phase A,B,C + Residual) including Description with deadband configuration

CDC Class: WYE

Attribute	Type	FC	Enumeration	Comment	X
phsA	CMV_0_DB	--		Measurement values for Phase A	
phsB	CMV_0_DB	--		Measurement values for Phase B	
phsC	CMV_0_DB	--		Measurement values for Phase C	
res	CMV_0_DB			Measurement values for residual	
d	VISIBLE_STRING255	DC		Description of the status element. Textual description of the data	

3.5.37 Phase A,B,C + Neutral Common Data Class: WYE\_1

Description: Phase to ground measurements for a 3-Phase system (Phase A,B,C + Description)

CDC Class: WYE

Attribute	Type	FC	Enumeration	Comment	X
phsA	CMV_0	--		Measurement values for Phase A	
phsB	CMV_0	--		Measurement values for Phase B	
phsC	CMV_0	--		Measurement values for Phase C	
d	VISIBLE_STRING255	DC		Description of the status element. Textual description of the data	

3.5.38 Phase A,B,C + Neutral Common Data Class: WYE\_1\_DB

Description: Phase to ground measurements for a 3-Phase system (Phase A,B,C + Description) with deadband configuration

CDC Class: WYE

Attribute	Type	FC	Enumeration	Comment	X
phsA	CMV_0_DB	--		Measurement values for Phase A	
phsB	CMV_0_DB	--		Measurement values for Phase B	
phsC	CMV_0_DB	--		Measurement values for Phase C	
d	VISIBLE_STRING255	DC		Description of the status element. Textual description of the data	

3.5.39 Common Data Class: WYE\_2

Description: Phase to ground measurements for a 3-Phase system (Phase A,B,C + Neutral) including Description

CDC Class: WYE

Attribute	Type	FC	Enumeration	Comment	X
phsA	CMV_0	--		Measurement values for Phase A	
phsB	CMV_0	--		Measurement values for Phase B	
phsC	CMV_0	--		Measurement values for Phase C	
neut	CMV_0	--		Measurement values for neutral input	
d	VISIBLE_STRING255	DC		Description of the status element. Textual description of the data	

3.5.40 Common Data Class: WYE\_2\_DB

Description: Phase to ground measurements for a 3-Phase system (Phase A,B,C + Neutral) including Description with deadband configuration

CDC Class: WYE

Attribute	Type	FC	Enumeration	Comment	X
phsA	CMV_0_DB	--		Measurement values for Phase A	
phsB	CMV_0_DB	--		Measurement values for Phase B	
phsC	CMV_0_DB	--		Measurement values for Phase C	
neut	CMV_0_DB	--		Measurement values for neutral input	
d	VISIBLE_STRING255	DC		Description of the status element. Textual description of the data	

3.5.41 Common Data Class: WYE\_3

Description: Phase to ground measurements for a 3-Phase system (Phase A,B,C + Neutral + Residual) including Description)

CDC Class: WYE

Attribute	Type	FC	Enumeration	Comment	X
phsA	CMV_0	--		Measurement values for Phase A	
phsB	CMV_0	--		Measurement values for Phase B	
phsC	CMV_0	--		Measurement values for Phase C	
neut	CMV_0	--		Measurement values for neutral input	
res	CMV_0			Measurement values for residual	
d	VISIBLE_STRING255	DC		Description of the status element. Textual description of the data	

3.5.42 Common Data Class: WYE\_3\_DB

Description: Phase to ground measurements for a 3-Phase system (Phase A,B,C + Neutral + Residual) including Description) with deadband configuration

CDC Class: WYE

Attribute	Type	FC	Enumeration	Comment	X
phsA	CMV_0_DB	--		Measurement values for Phase A	
phsB	CMV_0_DB	--		Measurement values for Phase B	
phsC	CMV_0_DB	--		Measurement values for Phase C	
neut	CMV_0_DB	--		Measurement values for neutral input	
res	CMV_0_DB			Measurement values for residual	
d	VISIBLE_STRING255	DC		Description of the status element. Textual description of the data	



### 3.6 Common data attribute type definitions

Common data attribute types, known herein as components, are defined for use in the Common Data Classes defined in the sections above.

3.6.1 Component: AnalogueValue\_0

Comment: General analogue value (Floating Point)

Parent Type: AnalogueValue

Attribute	Type	Enumeration	Comment	X
f	FLOAT32		Floating point value	

3.6.2 Component: CancelBOOL\_0

Comment: (Control) Cancel

Parent Type: Cancel

Attribute	Type	Enumeration	Comment	X
ctlVal	BOOLEAN		Logical True/False control value	
origin	Originator_0		Origin	
ctlNum	INT8U		8-bit unsigned integer value	
T	Timestamp		Timestamp of Entry Time– This control timestamp is the time when the client sends the control request.	
Test	BOOLEAN		Logical True/False value. No-test (False) / Test (True). Defines whether the information is caused by normal operation or by test.	

3.6.3 Component: Originator\_0

Comment: Originator of the last change of the data attribute representing the value of the controllable data.

Parent Type: Origin

Attribute	Type	Enumeration	Comment	X
orCat	Enumerated8	orCat	8-bit Enumerated value0	
orIdent	OCTET_STRING64		64 character string (8 bits per character)	

3.6.4 Component: OperBOOL\_0  
 Comment: (Control) Operate (BOOLEAN control value)  
 Parent Type: Oper

Attribute	Type	Enumeration	Comment	X
ctlVal	BOOLEAN		Logical True/False control value	
origin	Originator_0		Origin	
ctlNum	INT8U		8-bit unsigned integer value	
T	Timestamp		Timestamp of Entry Time– This control timestamp is the time when the client sends the control request.	
Test	BOOLEAN		Logical True/False value. No-test (False) / Test (True). Defines whether the information is caused by normal operation or by test.	
Check	Check		Check –specifies the kind of checks a control object shall perform before issuing the control operation.	

3.6.5 Component: RangeConfig\_Deadband  
 Comment: Limits that define the range of a measured value.  
 Parent Type: rangeC

Attribute	Type	Enumeration	Comment	X
hhLim	AnalogueValue_0		Read only – always returns 0	
hLim	AnalogueValue_0		Read only – always returns 0	
lLim	AnalogueValue_0		Read only – always returns 0	
llLim	AnalogueValue_0		Read only – always returns 0	
min	AnalogueValue_0		minimum process measurement for which values of l or f are considered within process limits	
max	AnalogueValue_0		maximum process measurement for which values of i or f are considered within process limits	

3.6.6 Component: Unit\_Multiplier  
 Comment: Object that contains SI Unit and multiplier definitions  
 Parent Type: Unit

Attribute	Type	Enumeration	Comment	X
SIUnit	Enumerated8	SIUnit	8-bit signed integer value	
multiplier	Enumerated8	multiplier	8-bit signed integer value	

3.6.7 Component: Vector\_0

Comment: Complex vector (Floating Point Magnitude value)

Parent Type: Vector

Attribute	Type	Enumeration	Comment	X
mag	AnalogueValue_0		The magnitude of the complex value	

3.6.8 Component: Vector\_1

Comment: Complex vector (Floating Point Magnitude and Angle values)

Parent Type: Vector

Attribute	Type	Enumeration	Comment	X
mag	AnalogueValue_0		The magnitude of the complex value	
ang	AnalogueValue_0		The angle of the complex value (the unit is degrees)	

### 3.7 Enumerated type definitions

The following sub-sections specify the enumerations that are associated to some Common Data Class attributes. The definition of the enumerations is according to IEC61850-7-3 and IEC61850-7-4 unless otherwise stated.

#### 3.7.1 Enumerated type: Beh

Description: Behaviour

Ordinal	Semantic
1	on
2	blocked
3	test
4	test/blocked
5	off

#### 3.7.2 Enumerated type: Check

Description: Check –specifies the kind of checks a control object shall perform before issuing the control operation.

Ordinal	Semantic
0	No-check
1	synchrocheck
2	Interlocking-check
3	both

#### 3.7.3 Enumerated type: ctlModel\_statusOnly

Description: Control Model with “status-only” only

Ordinal	Semantic
0	status-only

#### 3.7.4 Enumerated type: ctlModel\_directNS

Description: Control Model with “direct-with-normal-security” only

Ordinal	Semantic
1	Direct-with-normal-security

3.7.5 Enumerated type: `ctlModel_noES`

Description: Control Model without enhanced security

Ordinal	Semantic
0	status-only
1	direct-with-normal-security
2	sbo-with-normal-security

3.7.6 Enumerated type: `Dbpos`

Description: Double bit position

Ordinal	Semantic
1	intermediate
2	off
3	on
4	bad

3.7.7 Enumerated type: `Health`

Description: Health

Ordinal	Semantic
1	Ok
2	Warning
3	Alarm

3.7.8 Enumerated type: `hvRef`

Description: Reference type – Specifies the reference type (i.e. ration of harmonic to fundamental, to rms, or to absolute) that the data attribute “mag” of the data attribute type “Vector” contains.

Ordinal	Semantic
0	fundamental
1	rms
2	absolute

3.7.9 Enumerated type: `Mod_onOnly`

Description: Mode

Ordinal	Semantic
1	on

3.7.10 Enumerated type: multiplier

Description: Exponents of the multiplier value in base 10.

Ordinal	Semantic	Explanation
-24	y	Yocto
-21	z	Zepto
-18	a	Atto
-15	f	Femto
-12	p	Pico
-9	n	Nano
-6	μ	Micro
-3	m	Milli
-2	c	Centi
-1	d	Deci
0		
1	da	Deca
2	h	Hecto
3	k	Kilo
6	M	Mega
9	G	Giga
12	T	Tera
15	P	Petra
18	E	Exa
21	Z	Zetta
24	Y	Yotta

3.7.11 Enumerated type: OpMod

Description: Operation mode

Ordinal	Semantic
1	Overwrite existing values
2	Stop when full or saturated

3.7.12 Enumerated type: orCat

Description: Originator category – specifies the category of the originator that caused a change of value.

Ordinal	Semantic	Explanation
0	not-supported	orCat is not supported
1	bay-control	Control operation issued from an operator using a client located at bay level.
2	station-control	Control operation issued form an operator using a client located at station level.
3	remote-control	Control operation from a remote operator outside the substation (for example network control center)
4	automatic-bay	Control operation issued from an automatic function at bay level.
5	automatic-station	Control operation issued from an automatic function at station level.
6	automatic-remote	Control operation issued from an automatic function outside the substation.
7	maintenance	Control operation issued from a maintenance/service tool.
8	process	Status change occurred without control action (for example external trip of a circuit breaker or failure inside the breaker)

3.7.13 Enumerated type: sboClass

Description: Select before operate Class

Ordinal	Semantic
0	operate-once
1	operate-many

3.7.14 Enumerated type: seqT

Description: Sequence Measurement Type

Ordinal	Semantic
0	pos-neg-zero
1	dir-quad-zero



3.7.15 Enumerated type: SIUnit

Description: SI Units derived from ISO/IEC 1000

Ordinal	Semantic	Explanation
1		dimensionless
2	m	meter
3	kg	kilogram
4	s	second
5	A	ampere
6	K	Kelvin
7	mol	mole
8	cd	candela
9	deg	degrees
10	rad	radian
11	sr	steradian
21	Gy	Gray
22	q	becquerel
23	°C	degrees Celcius
24	Sv	sievert
25	F	farad
26	C	coulomb
27	S	siemens
28	H	henry
29	V	volt
30	ohm	ohm
31	J	joule
32	N	newton
33	Hz	hertz
34	lx	lux
35	Lm	lumen
36	Wb	weber
37	T	tesla
38	Watts	watt
39	Pa	pascal
41	m <sup>2</sup>	square meter
42	m <sup>3</sup>	cubic meter
43	m/s	meters per second
44	m/s <sup>2</sup>	meters per second <sup>2</sup>
45	m <sup>3</sup> /s	cubic meters per second
46	m/m <sup>3</sup>	meters per cubic meter
47	M	kilogram meter
48	kg/m <sup>3</sup>	kilogram/cubic meter

Ordinal	Semantic	Explanation
49	m <sup>2</sup> /s	meter square/second
50	W/m K	watt/meter Kelvin
51	J/K	joule/Kelvin
52	ppm	parts per million
53	1/s	rotations per second
54	rad/s	radians per second
61	VA	volt ampere
62	W	Watts (deprecated)
63	VAr	volt ampere reactive
64	phi	degrees (phase angle)
65	cos(phi)	(dimensionless – power factor)
66	Vs	volt seconds
67	V <sup>2</sup>	volt square
68	As	amp second
69	A <sup>2</sup>	amp square
70	A <sup>2</sup> t	amp square second
71	VAh	volt ampere hours
72	Wh	watt hours
73	VArh	volt ampere reactive hours
74	V/Hz	volts per hertz

### 3.8 MMS data-type conversions

The following table shows the relationships between the Part 7 and Part 8-1 data types. The definitions presented above use Part 7 data types, however these are subject to 'translation' when exposed over an MMS (Part 8-1) interface:

Part 7 Type	MMS Type	Part 7 Description
BOOLEAN	Bool	Logical TRUE/FALSE value
BVstring13	BVstring13	Variable bit string (up to 13 bits)
CODED_ENUM	Byte	Coded enumeration
CODED_ENUM2	Byte	Coded enumeration (2)
EntryTime	Btime6	8.1 Section 8.1.3.7
ENUMERATED8	Byte	8 bit enumerated value
FLOAT32	Float	32 bit floating point value
FLOAT64	Double	64 bit floating point value
INT128	Long	128 bit signed integer value
INT16	Short	16 bit signed integer value
INT16U	Ushort	16 bit unsigned integer value
INT24U	Ulong	24 bit unsigned integer value
INT32	Long	32 bit signed integer value
INT32U	Ulong	32 bit unsigned integer value
INT8	Byte	8 bit signed integer value
INT8U	Ubyte	8 bit unsigned integer value – used in Unbuffered Report Control Blocks (URCBs)
OCTET_STRING6	Ostring6	6 character string (8 bits per character) – used in GOOSE MAC address
OCTET_STRING64	Ostring64	64 character string (8 bits per character)
OCTET_STRING8	Ostring8	8 character string (8 bits per character)
Quality	BVstring13	IEC61850 Quality
TimeStamp	Utctime	IEC61850 Time stamp
UNICODE_STRING255	UTF8Vstring255	255 character string (16 bits per unicode character)
UTC_TM	Utctime	UTC Timestamp
VISIBLE_STRING255	Vstring255	255 character string
VISIBLE_STRING64	Vstring64	64 character string
VISIBLE_STRING65	Vstring65	65 character string
VISIBLE_STRING97	Vstring97	97 character string

---

**Section 4 TICS**

**Technical Issues Conformance Statement**

---

---

## 4. IEC61850 TECHNICAL ISSUES (TISSUES) CONFORMANCE STATEMENT - TICS

### 4.1 Introduction

This **Technical Issues Conformance Statement (TICS)** specifies the conformance level attributed to Mx70 Series of Intelligent Electronic Devices (Mx70 IEDs) with respect to the **Technical Issues (TISSUES)** logged against the various parts of the IEC61850 standard. This document, along with the **Protocol Implementation eXtra Information for Testing** document (**PIXIT**), defines the basis for conformance testing in accordance with part 10 of the IEC61850 standard specifications.

This document identifies numerous Tissues that have an impact on conformance testing of the Mx70 IED. TISSUES have been classed into the following categories:

- Tissues identified as either editorial, or related to the XML schema or a client. Tissues that are not applicable to the IEC 61850 implementation in the Mx70 devices are grouped in this class.
- Tissues identified as status “Blue”, which are considered questions only.
- Tissues that have not completed or closed within the last year, or Tissues that have a status other than Green. These Tissues may or may not be listed in the conformance tables. Their numbers are included for completeness, and for tracking Tissues requiring future consideration.
- Technical issues with applicability under the IEC 61850 implementation in the Mx70 devices.

According to the UCA IUG QAP the Tissue conformance statement is required to perform a conformance test and is referenced on the certificate

For more details on the logged Technical Issues, refer to the website:

<http://www.tissues.iec61850.com>

### 4.2 Tissues considered

This document incorporates Edition 1 Interoperability Tissues closed prior to the latest revision of this document.

### 4.3 Document structure

This document is broken down into several sub-sections; one per part of the IEC61850 standard specifications.

Each subsection contains

- a list of tissue numbers that relate only to editorial or schema changes,
- a list of tissue numbers that are questions only (status = Blue)
- a table of the remaining tissues that provides, for each tissue:
  - The TISSUE number
  - A reference into the appropriate section, paragraph, annexe etc.
  - The subject of the TISSUE
  - The TISSUE status (Red/Green/Yellow etc)
  - The required conformance
  - Indication if the TISSUE is supported

The required conformance column provides the following information:

Value	Meaning
Mx.y	TISSUE is included in the UCA Device conformance test procedures version x.y and is stated as mandatory.
O	TISSUE is not yet included in the UCA Device conformance test procedures, or it's a recommendation, or it's optional in the IEC 61850 documents.
tbd	To be defined. The proposal is not defined in such detail to be implemented or tested.
-	Not applicable, no change for implementation and testing.
?	Conformance is not known or unclear for the TISSUE.

The supported column provides the following information:

Value	Meaning
✓	The TISSUE is implemented in the Mx70 IED.
✗	The TISSUE has not been implemented in the Mx70 IED.
N/A	The TISSUE is not applicable to the Mx70 IED.
?	Support is not known or unclear for the TISSUE.

*Note: All Tissues whose status is other than Green will indicate a conformance status of '?' and a supported status of '?'.*

### 4.4 Document Information (TICS)

#### Revision History

Revision	Date	Note
A	24-June-2008	Initial Document prepared. Tissues are included up to May 2008.

#### Firmware Applicability

This manual is applicable to IEC61850 for M57x/M87x firmware version v3.00.0 and later.

## **4.5 Part 5 Standard**

### **4.5.1 Specification scope**

The scope of part 5 of the IEC61850 standards covers the communication requirements for functions and device models.

### **4.5.2 Editorial and schema related TISSUES**

At the time of writing there are no logged editorial and schema related technical issues against part 5.

### **4.5.3 Question only Tissues**

At the time of writing there are no *question only* technical issues against part 5.

### **4.5.4 Technical Issues**

At the time of writing there are no logged technical issues against part 5.

**4.6 Part 6 Standard**

**4.6.1 Specification scope**

The scope of part 6 of the IEC61850 standards covers the configuration description language for communication in electrical substations related to IEDs.

**4.6.2 Editorial and schema related TISSUES**

The following technical issues are editorial and schema related only:

4,12,14,16, 157,176,197,201,211,212,245, 273,284,285,286,291,303

The following technical issues are considered not relevant for IEC61850 implementation on Mx70 devices and so they are classified as Not Applicable (N/A):

13,15,24,170,313,317,355,356,366,378,425,428,460,465,532,533,534

**4.6.3 Question only Tissues**

The following technical issues are questions only and no compliance is required:

2,19,20,21,22,23,158,203,210,277,280,296,318,341,353,354,357,367,371,436,445,452,454,458,471,472, 484,491,589

**4.6.4 Technical Issues**

Num	Doc. Ref.	Subject	Status	Comment	Conformance	Supported
1	Annex A5	<b>Syntax</b>	<b>Green</b>	Correction to IP Address syntax to include missing “\” character.		✓
3	Annex B	<b>Missing ENUMs</b>	<b>Green</b>	Appendix: the ENUMs of stVal/ctlVal are defined, but the ENUMs are missing for: - AutoRecSt - FitLoop - PmpCtl.  The Mx70 data model/ICD file does not use all defined enumerations. ENUMs AutoRecSt, FitLoop, PmpCtl, which were added, are not applicable.	M1.1	N/A
5	Annex A	<b>tExtensionAttributeNameEnum</b>	<b>Green</b>	Schema and editorial	tbd	?



Num	Doc. Ref.	Subject	Status	Comment	Conformance	Supported
		<b>m is restricted</b>		issue for Attribute names that may impact ICD and SCD validation against the SCL schema. Addressable as a document revision to part 8-1 of the standard.		
6	SCL schema	<b>ReportControl/OptFields</b>	<b>Green</b>	The "segmentation" attribute in the* ReportControl/OptFields* section of SCL should be deleted. There is no OptField within RCB, only used in reports dynamically. The Segmentation bit is ignored in the Mx70 IEDs.	tbd	✓
7	SCL schema	<b>Duplication of attributes</b>	<b>Green</b>	Setting Groups Schema  The unique key in SCL schema is the name without FC, therefore it is not possible to specify the same attribute with different FCs. This is also not needed: the only attribute with two FCs are setting parameters (FC=SG, SE), where each specification with SG implicitly means an SE on MMS level, if editing is supported at all.	O	N/A
8	Annex B	<b>SIUnit enumeration for W</b>	<b>Green</b>	Use name Watts for code 62 instead of W.  SIUnit is not used in Mx70.IEDs	O	N/A
9	Annex A	<b>Data Set reference in CBs</b>	<b>Green</b>	For ICD files change XML schema to allow control blocks (CBs) without a dataset reference.  CBs without datasets are deactivated.	O	✓
10	Annex A	<b>Base type for bitstring usage</b>	<b>Green</b>	Part 8-1 introduces the	-	N/A

Num	Doc. Ref.	Subject	Status	Comment	Conformance	Supported
				<p>attribute "Check" as a bitstring, however SCL does not support bitstrings. The philosophy is to have a separate base type for each kind of bitstring usage, so bType Check is added to the schema, to be used for the Check attribute.</p> <p>The Check attribute is not used in the Mx70 data model</p>		
11	SCL schema	<b>Schema for IP Addr?</b>	<b>Green</b>	-	O	N/A
17	Schema	<b>DAI/SDI elements syntax</b>	<b>Green</b>	SIUnit is not used	-	N/A
18	9.3.4, Table 14	<b>Functional naming and LDevice</b>	<b>Green</b>	Mx70 uses old method, which is to always use "IEDName + inst." "inst" is the attribute name identifying the LDevice within the IED. The full LD name contains an additional part before the "inst" value.	?	N/A
130	General	<b>LDName length</b>	<b>Green</b>	LDName is not used in Mx70 IEDs. Issue is supported by the S1 IED Configurator, ldName = iedName+ldInst	M1.1	✓
169	p. 119, Appendix B	<b>Ordering of enum differs from 7-3</b>	<b>Green</b>	"Angld" enumeration is not used in Mx70 data models	-	N/A
186	Table 21	<b>Definition of DataSet Members</b>	<b>Green</b>	<p>Datasets are not allowed to contain Control Blocks.</p> <p>The proposed solution is that a data set might contain FCDA elements as reference to the data model, and FCCB elements as reference to the control blocks. This allows the highest</p>	M1.1	N/A

Num	Doc. Ref.	Subject	Status	Comment	Conformance	Supported
				<p>level of checking on XML schema level the correctness of the object references .</p> <p>This is a change to SCL but does not presently have an impact to Mx70 devices.</p> <p>(Note that more intelligence would be need to be incorporated into Alstom's S1 MiCOM IED for this to become a configuration issue)</p>		
233	-	<b>9-2 Security Attribute</b>	<b>Green</b>	<p>The attributes "security" and "noASDU" are mapping specific and dfined in 9-2. Add the security attribute to the SCL.</p> <p>Mx70 does not support part 9-2 of the standard.</p>	?	N/A
243	p. 65, 9.3.8	<b>RCB Naming</b>	<b>Green</b>	<p>Resolved by always using the default "index" naming. Report Control Blocks (RCBs). URCB01-URCB08 are the unbuffered control blocks used.</p>	-	x
272	p. 23, 8.2.6	<b>Private section type</b>	<b>Green</b>	<p>Make the use of the "type" attribute of the "Private" element as 'required' instead of 'optional'.</p> <p>The "type" attribute is always used.</p> <p>(Note: MiCOM S1 IED configuration issue, such that IED configurator always uses type.)</p>	?	✓

Num	Doc. Ref.	Subject	Status	Comment	Conformance	Supported
302	P 58, 9.3.7 Attributes of the FCDA element	<b>References for arrays in DataSets</b>	<b>Green</b>	Although the Mx70 does support harmonic array elements in its data model. Data set members cannot contain individual array elements.	-	N/A
307	9.3.2	<b>Flag buffered/unbuffered reporting in element service</b>	<b>Green</b>	Can't implement this yet. It is an Issue for Edition 2 to address that involves the tree structure defined in the Schema. It is not possible to resolve under Edition 1 of the IEC 61850 implementation.	?	?
315		<b>Number of client associations</b>	<b>Green</b>	Proposal entails adding an element to the service section of the IED section that holds the maximal number of supported client associations  Can't implement this yet, since this service isn't supported under Edition 1 of the IEC 61850 implementation  Note: MiCOM ICD file will also need to supports this.	?	?
529	p. 118, Annex B (normative)	<b>Sev</b>	<b>Green</b>	The first EnumVAI for <Enumtype id="sev"> is not Unknown but unknown. Proposal is to replace Unknown by unknown. "Sev" is not used by Mx70 devices.		N/A

**4.7 Part 7-1 Standard**

**4.7.1 Specification scope**

The scope of part 7-1 of the IEC61850 standards covers the architecture for communication and interactions between substation devices such as protection devices, breakers, transformers, substation hosts etc.

**4.7.2 Editorial and schema related TISSUES**

The following technical issues are editorial and schema related only:  
 174, 267.

**4.7.3 Question only Tissues**

The following technical issues are questions only and no compliance is required:  
 450

**4.7.4 Technical Issues**

Num	Doc. Ref.	Subject	Status	Comment	Conformance	Supported
129	13.2.2, Table 13	<b>Coming/Going events?</b>	<b>Green</b>	Both edges trigger in order to capture signals that transition from 0 to 1 and from 1 to 0.  Note that a client can filter out the signal changes or transitions that are not desired.	-	✓
250	p.75, 13.2.2	<b>Trigger option used, if not defined</b>	<b>Green</b>	TrgOps value masks triggers in event generation. If attribute is not marked for dchg or qchg, then changes will not trigger reports or logs.	tbd-	✓

**4.8 Part 7-2 Standard**

**4.8.1 Specification scope**

The scope of part 7-2 of the IEC61850 standards covers the layered substation communication architecture principles.

**4.8.2 Editorial and schema related TISSUES**

The following technical issues are editorial and schema related only:

29,33,137,142,149,192,195,308,338,339,342,351(rejected),361,369,379,  
 385,387,388,390,392,393,398,399,400,404,406,408,409,410, 411,415,  
 418,449,451,456,457,461,473,474,490.

**4.8.3 Question only Tissues**

The following technical issues are questions only and no compliance is required:

172,181,193,251,287,293,295,345,346,347,350,352,389,402,412,413,427,435,440,449,462,540,546

**4.8.4 Unaddressed or open Tissues**

The following Tissues were not considered in the present implementation of IEC 61850 Edition 1 in the Mx70 devices:

310,403,407,416,429,447,492,493,494,495,496,497,498,499,500,501,502,503,505,506,507,508,509,510,512,513,514,515,516,517,518,520,521,522,523,524,526,536,537,549,580,593,595,610.

**4.8.5 Technical Issues**

Num	Doc. Ref.	Subject	Status	Comment	Conformance	Supported
30	17.5.2.3	<b>Control parameter T</b>	<b>Green</b>	Change sentence to “The parameter T shall be the time when the client sends the control requests” (plural for request indicating there may be several requests). There are some further clarifications regarding the T parameter required as follows: - The T-parameter shall not be modified by the server - it will be mirrored with the response - the client may use it, to associate a response with the request - any other uses of T are local issues and outside the scope of the standard		✓

Num	Doc. Ref.	Subject	Status	Comment	Conformance	Supported
31	14.2.3.2.3.2	<b>Typo</b>	<b>Green</b>	Change the last sentence in the clause from "on a quality-change" to "On a data-update". DuPd is not used		N/A
32	14.2.2.1 14.4.2.1	<b>Typo in syntax</b>	<b>Green</b>	BRCB class Syntax, (page 77) URCB class Syntax, (page 94)  The attribute "TrgOp" shall be plural as "TrgOps"		✓
34	15.1	<b>Publish.request explanation</b>	<b>Green</b>	Ed2: The Mx70 devices trigger GOOSE events on both data transitions.	M1.1	✓
35	17.5.2.3, Table 36	<b>Typo Syntax Control time</b>	<b>Green</b>	Proposal is to Change Attribute type from "EntryTime" to "TimeStamp".	-	✓
36	15.2.2.3, 15.2.2.4	<b>Syntax parameter DSet-Ref missing</b>	<b>Green</b>	Proposal: Add the missing text, "15.2.2.3.3.3 (15.2.2.4.3.3) DataSetReference The parameter DataSetReference shall contain the Reference of the DATA-SET whose members have been requested." GOOSE Management is not supported in Mx70 devices.		N/A
37	15.2.3.1	<b>Syntax GOOSE "T" type</b>	<b>Green</b>	This issue involves the GOOSE message syntax The Attribute type "T" is a time handled by the application. "EntryTime" is not correct, because "EntryTime" is for "internal" use: see clause 5.5.3.8. The proposal changes Attribute type from "EntryTime" to "TimeStamp".	M1.1	✓
38	15.2.1 15.2.1.4	<b>Syntax "AppID" or "GoID"</b>	<b>Green</b>	Ed.2: Change Attribute name from "AppID" to "GoID".	M1.1	✓

Num	Doc. Ref.	Subject	Status	Comment	Conformance	Supported
39	15.2.1	<b>Add DstAddr to GoCB</b>	Green	<b>Issue:</b> Additional attribute in GoCB definition required. <b>Proposal:</b> Add Attribute "DstAddress" after the Attribute "NdsCom" "15.2.1.8 DstAddress The attribute DstAddress shall be the SCSM specific addressing information like media access address, priority, and other information."	M1.1	✓
40	15.2.3.1 15.2.3.3	<b>GOOSE Message <i>AppID</i> to <i>GoID</i></b>	Green	Issue: GOOSE message syntax (page 116) AppID – application identifier (page 116)  The Attribute name "AppID" is misleading and too general. IEC 61850-8-1 uses "GoID" instead Proposal: Change Attribute name from "AppID" to "GoID".	M1.1	✓
41	15.3.1 15.3.4.1	<b>GsCB <i>AppID</i> to <i>GsID</i></b>	Green	Issue: GsCB class definition (page 118) Syntax (page 125)  The Attribute name "AppID" is misleading and too general. IEC 61850-8-1 uses "GsID" instead Proposal: Change Attribute name from "AppID" to "GsID".  (Note: Gsse Control Block (GsCB) is not supported for Mx70 devices, although Gsse messages are supported via the 70 Series Configurator.)	-	N/A
42	p.138, 16.4	<b>SV timestamp: <i>EntryTime</i> to <i>TimeStamp</i></b>	Green	Mx70 devices do not support Sampled Values	-	N/A
43	p.148, 17.5.2.3	<b>Control "T" semantic</b>	Green	"The parameter T shall be the time when the client sends the control requests. Add NOTE: "Control requests can be Select, Operate, or Cancel."	-	✓



Num	Doc. Ref.	Subject	Status	Comment	Conformance	Supported
44	17	<b>AddCause - Object not sel</b>	<b>Green</b>	ACSI AddCause values. Under part 8-1 has defined a new value as "Object-not-selected 18".  AddCause is used only for Enhanced-Security Control. Mx70 devices use only Normal-Security Controls.	-	N/A
45*	17.5.2.6	<b>Missing AddCauses</b>	<b>Red</b>	Add additional cause types?	?	?
46	17.3.3	<b>Synchro check cancel</b>	<b>Green</b>	Synchro-check is ignored by Controls.	?	N/A
47	19.2, Figure 40	<b>"." in LD Name?</b>	<b>Green</b>	The LDName is limited to 64 characters. '.' or '\$' or other '=' are not allowed. The IEC61850-7-2 standard will be corrected correspondingly.	-	✓
48	17.2.1, Figure 30	<b>Syntax in state machine</b>	<b>Green</b>	Time activated controls are not supported		N/A

Num	Doc. Ref.	Subject	Status	Comment	Conformance	Supported
49	14.2.2.16	<b>BRCB TimeOfEntry</b>	<b>Green</b>	<p>"The report handler assigns EntryID(s) and TimeOfEntry(s) to the values contained within a set of notifications. The number of notifications combined into a single EntryID is determined by the RCB control parameters (e.g. BufTim). The value of the EntryID is a local issue but it shall be a unique arbitrary OCTETSTRING whose value is unique within the scope of entries for a specific RCB. The value of the TimeOfEntry shall be the timestamp representing the time at which the report handler received the first notification that is used to form an EntryID."</p> <p>Within the GetBRCBValues :                      "The value, returned in a GetBRCBValues response, shall provide the time stamp of the EntryID whose value is exposed in the control block. The value exposed for TimeOfEntry, when the value of EntryID is zero(0), is a local issue."</p> <p>Therefore, after having set the BRCB state in resync, the client is able to check if the EntryID that is set, is the one that knows, since the couple "EntryID, TimeOfEntry" will always be unique during the whole lifetime of an IED (and of its replace part if a replacement should occur)</p>	?	✓
50	19.2	<b>LNName start with number</b>	<b>Green</b>	The LNName prefix shall start with a letter. Otherwise, mapping to MMS should restrict it, since MMS variable names are not allowed to start with a number.	-	✓

Num	Doc. Ref.	Subject	Status	Comment	Conformance	Supported
51	5.5.2	<b>ARRAY [0..num] missing</b>		<p>Text to be included in draft Ed2:</p> <p>The type ARRAY shall be as defined as follows:                      ARRAY [n..m] OF p                      with n = 0 or n = 1;                      m &gt; 0;                      p = Common data attribute type or BasicType or Common ACSI type shall represent a list of elements numbered from "n" to "m". The type of the elements shall be as specified by "p".</p> <p>The ARRAY type shall be applied for DataAttributes only.</p> <p>NOTE Common data attribute types for substation automation applications are defined in IEC</p> <p>This text is posted under Tissue 456.</p> <p>The impact of the new type ARRAY on the services GetData... and others has to be analyzed.                      Will be resolved with clause 10 tissues.</p>	-	✓

Num	Doc. Ref.	Subject	Status	Comment	Conformance	Supported
52	15.2.3.6	<b>Ambiguity GOOSE SqNum</b>	Green	<p>Issue: There is a discrepancy between the 7-2 and 8-1 definitions of GOOSE SqNum.</p> <p>7-2 clause 15.2.3.6 states:                      'The initial value for SqNum shall be 1. The value of 0 shall be reserved.'</p> <p>Whereas 8-1 clause 18.1.2.15 states:                      'The value of 0 is reserved for the first transmission of a StNum change.'</p> <p>Proposal: Change part 7-2 to match 8-1.</p> <p>The SqNum shall be set to 0 to indicate the first GOOSE transmission initiated by a value (increment of StNum) change.</p> <p>The first GOOSE message after a state change should be easily distinguishable from all other messages.</p> <p>The revised Text is:                      "Following a StNum change, the counter SqNum shall be set to a value of 0. If the counter SqNum overruns, it shall be set to a value of 1. The initial value for SqNum upon a transition of GoEna to TRUE shall be 1."</p>	-	✓

Num	Doc. Ref.	Subject	Status	Comment	Conformance	Supported
53	15.3.1, 16.2.1, Table 30,32	<b>Add DstAddr to GsCB, SV</b>	<b>Green</b>	<p>Within the current scheme of 61850, the GSE and SMV control blocks do not contain the destination (multicast) MAC address, while the Goose control blocks do. This means that the only way of finding out the group addresses for GSE and SMV are through SCL. This is fine if everything is configured correctly, but does not allow for the validation of the configuration, and will make diagnostics needlessly difficult. If we made the addresses visible in MMS, life will be much simpler for utilities. Proposal: Add the group addresses for GSE and SMV.</p> <p>Neither GsCB nor SMV are used in Mx70 devices.</p>	-	N/A
150	p.58 11.2.2.3	<b>Attributes of Control Blocks as members of DataSets</b>	<b>Green</b>	Ed2: Unsupported in Mx70 devices	?	N/A

Num	Doc. Ref.	Subject	Status	Comment	Conformance	Supported
151	p.156-157, 19.2	<b>Name constraint for control blocks etc.</b>	<b>Green</b>	<p>Issue: The instance names for the following classes need to be constraint in clause 19.2:</p> <ul style="list-style-type: none"> <li>- DataSet</li> <li>- all Controlblocks</li> </ul> <p>The instance names are concatenated with LNNames. The "LNName.xxName" must fit into 32 (according to 8-1 64) characters.</p> <p>See also comment #141 and IEC 61850-8-1 clause 17.1.1.1 (-2) Note below table 37 (39).</p> <p>Proposal: Define the (common) rule for building instance names for DataSet and control blocks. In clause 19.2, the explanation of FCD shall be changed from "29 characters..." to "61 characters..."</p>	-	✓
163	10.2.2.4.3	<b>TISSUE 65 from 7-3</b>	<b>Green</b>	Edition 2 tissue.	-	N/A
166	14.3.3.2.7.3	<b>DataRef attribute in Log</b>	<b>Green</b>	<p>The parameter DataRef shall contain the DataSet member reference of the value of the EntryData. The parameter value shall contain the DataSet member values to be included in the EntryData.</p> <p>Logging is not supported by Mx70.</p>	-	N/A
180	12 Figure 16	<b>Figure substitution misleading</b>	<b>Green</b>	Subst is not supported	-	N/A
185	14.3.3.2.7.3	<b>Logging - Integrity period</b>	<b>Green</b>	Logging is not supported by Mx70	-	N/A

Num	Doc. Ref.	Subject	Status	Comment	Conformance	Supported
187	16	<b>OptFlds in SV CB's not exposed for client specification</b>	<b>Green</b>	ED 2: Include the OptFlds MSVCB and USVCB in the control block get and set services, however, this is only true for SV Control Blocks (CB); in GOOSE CB we do not have OptFlds.  SV is not supported by Mx70 devices	Tbd	N/A
188	p.138, 16.4, Table 34	<b>SV Format</b>	<b>Green</b>	Ed2: SV not supported in Mx70 devices	-	N/A
189	p. 134, 16.4, Table 34	<b>SV Format</b>	<b>Green</b>	SV not supported in Mx70 devices	-	N/A

Num	Doc. Ref.	Subject	Status	Comment	Conformance	Supported
190	p.77, 14.2.2.1	<b>BRCB: EntryId and TimeOfEntry</b>	<b>Green</b>	<p>See Tissue 49 for definition of TimeOfEntry and interaction with EntryID, and uniqueness within the system.                      see Tissue 453 for chapter edition including the BRCB state machine.</p> <p>EntryID in GetBRCBValues:                      "The value of EntryID, returned in a GetBRCBValues response shall be defined as follows:</p> <ul style="list-style-type: none"> <li>• When the BRCB state is disabled: a GetBRCBValues shall return the EntryID value that represents the last (i.e..newest) entry that has been entered into the buffer.</li> <li>• When the BRCB state is resync: a GetBRCBValues shall return the value of the EntryID specified within the last SetBRCBValues.</li> <li>• When the BRCB state is enabled: The value of EntryID, returned in a GetBRCBValues response, shall be the EntryID of the last set of events sent. An EntryID value of all zeros(0) is reserved to indicate an empty buffer, no reported EntryID shall have a value of zero(0)." <p>TimeOfEntry in GetBRCBValues:                      "The value, returned in a GetBRCBValues response, shall provide the time stamp of the EntryID whose value is exposed in the control block. The value exposed for TimeOfEntry, when the value of EntryID is zero(0), is a local issue."</p> </li></ul>	?	✓



Num	Doc. Ref.	Subject	Status	Comment	Conformance	Supported
191	p.78/81, 14.2.2.5 14.2.2.12	<b>BRCB: Integrity and buffering reports</b>	Green	<p>see Tissue 453 for the revised chapter, inc. the GI state machine.</p> <p>GI are not buffered except the last one, till the next GI request is received, then the previous GI is removed from the Buffer. Buffering the Last GI has been decided to avoid BufOflv and therefore transmission of the whole history.</p> <p>Integrity reports are buffered, but a note has been added regarding to the memory limitation.</p> <p>"The BRCB shall buffer entries based on the trigger options data-change, quality-change, data-update, and integrity during loss of association. After the association is available again, after the client has set the EntryID, and enabled the BRCB, the BRCB shall start sending the reports of events that have been buffered. The BRCB shall use the sequence and subsequence numbers so that no gaps occur.                      NOTE Since the buffer events based on the trigger option integrity are buffered by the BRCB, and the memory of the IED dedicated for the buffering is limited, it is recommended to use the trigger option integrity in the BRCB with great care, to avoid a BufOvfl, and keep a long historical of the events."</p>	?	✓

Num	Doc. Ref.	Subject	Status	Comment	Conformance	Supported
220	p.48, 10.2.2.4.2, Table 18	<b>FC SP</b>	<b>Green</b>	<p><b>Issue:</b> Referring to TISSUE 28 of 7-3, the definition of SP in Table 18 is not correct anymore (and it was never completely correct anyway).</p> <p>SP is now only used for setting parameters, and not for setpoints anymore. SP attributes can be changed using the SetDataValue service (see 7.7.1 of IEC 61850-7-3, Ed1).</p> <p><b>Proposal:</b> Change Text in Table 18 as follows:                      "DataAttribute shall represent a setting parameter information whose value may be written and read. Changes of values shall become effective immediately"</p>		✓
234	p.21, 5.5.2	<b>New type CtxInt</b>	<b>Green</b>	As a consequence of TISSUE 146 (General) and TISSUE 120 (8-1), a new basic type CtxInt is added.	?	✓
236	19.2	<b>Name length</b>	<b>Green</b>	Ed2: LD name length up to 64 LN Name + rest length up to 64	?	✓
261	19	<b>IEDName starts with number?</b>	<b>Red</b>	Ed2:	?	?
275	p.88	<b>Confusing statement on GI usage</b>	<b>Green</b>	Correct interpretation is used.	?	✓

Num	Doc. Ref.	Subject	Status	Comment	Conformance	Supported
278	p.82, 14.2.2.15	<b>Entryld not valid for a server</b>	<b>Green</b>	<p>The state resync has been added. The BRCB is and remains in state resync while it is not enabled and the client set EntryIDs of entries that are available in the buffer of entries.</p> <p>If no entry is found in the buffer of entries corresponding to the value of the EntryID set by the Client in the SetBRCBValues, then the state of the BRCB goes to disable.</p> <p>Use of EntryID within the BRCB :</p> <p>The reported entries are dependant upon the transitions of state of the BRCB and are handled as follows:</p> <ul style="list-style-type: none"> <li>• A transition from disabled to enabled shall start reporting with the first available entry (i.e. oldest) in the queue of entries. Reporting of the next sequential entries shall occur.</li> <li>• A transition from resync to enabled shall start reporting with the next available entry (i.e. in time sequence), in the queue of entries, after the entry associated with the EntryID value set by the client. Reporting of the next sequential entries shall occur.</li> </ul> <p>The value of EntryID, returned in a GetBRCBValues response shall be defined as follows:</p> <ul style="list-style-type: none"> <li>• When the BRCB state is disabled: a GetBRCBValues shall return the EntryID value that represents the last (i.e..newest) entry that has been entered into the buffer.</li> </ul> <p>(continued)</p>	?	✓

Num	Doc. Ref.	Subject	Status	Comment	Conformance	Supported
		(278 continued from previous page)		<ul style="list-style-type: none"> <li>• When the BRCB state is resync: a GetBRCBValues shall return the value of the EntryID specified within the last SetBRCBValues.</li> <li>• When the BRCB state is enabled: The value of EntryID, returned in a GetBRCBValues response, shall be the EntryID of the last set of events sent. An EntryID value of all zeros(0) is reserved to indicate an empty buffer, no reported EntryID shall have a value of zero(0).</li> </ul>		
289	10 and 19	<b>Instatiation of DATA</b>	<b>Green</b>	Ed2: LNName consists of LN-Prefix, LN class name and LN-Instance-ID.  To be consistent, it should be defined that DataName =Data class name [Data-Instance-ID] Data class name = up to 10 characters Data-Instance-ID = n numeric characters, optional; n shall be equal for all instances of the same data	?	✓
297	14.2.2.10	<b>Sequence number</b>	<b>Green</b>	Definition of SqNum :  "The BRCB that has report enable set to TRUE shall maintain the parameter SqNum. This number shall be incremented by the BRCB for each report generated and sent on the basis of the BRCB. The increment shall occur once the BRCB has formatted the report for transmission. The first report following the setting of the report enable to TRUE shall contain sequence number 0. The sequence number shall roll over to 0 at its maximal value."	?	✓

Num	Doc. Ref.	Subject	Status	Comment	Conformance	Supported
298	Table 23 & 25	<b>Type of SqNum</b>	Green	Attribute size for SqNum remains INT16U for Buffered Report Control Blocks (BRCB) and INT8U for Unbuffered Report Control Blocks (URCB)	?	✓
300	p.77 14.2.2.1 Table 23	<b>Attribute Resv in BRCB</b>	Green	Creation of ResvTms-Reservation Time- as optional new attribute added to Buffered Report Control Block (BRCB). New Attribute ResvTms is optional. But this is unchanged from the IEC 61850 standard	?	✘
305	p. 80, p.85, 14.2.2.9, 14.2.3.2.2.9	<b>Reporting with BufTm=0</b>	Green	If more than one member of a data set changes at the same time then multiple reports are sent. In general each data change causes a new Goose/Report..	?	✓
322	14.2.2.1 & 14.2.4.1	<b>Write Configuration attribute of BRCBs</b>	Green	This does not apply to BRCB.DatSet in Mx70 devices because the ICD file defines it as type 'Conf' in the Services section.	Y	✓
325	p.24, 5.5.3.7.2 Table 7	<b>TimeStamp definition</b>	Green	Ed2: Correct the Attribute type from INT32 to INT32U in order to extend time reach from 2038 to 2106. Seconds is unsigned INT32	-	✓

Num	Doc. Ref.	Subject	Status	Comment	Conformance	Supported
329	P.85, 14.2.3.2.2.8 Para 1	<b>Reporting and BufOvl</b>	<b>Green</b>	BRCB is supported in Mx70 devices. BufOvl shall indicate to the client that entries within the buffer may have been lost. The detection of possible loss of information occurs when a client requests a resync to a non-existent entry or to the first entry in the queue. If one of the Entries discarded causes the Report Handler to move the pointer to the Next Entry for transmission, the implementation shall indicated BufOvl=TRUE in the next entry that is formatted and transmitted only. In other words, the buffer overflow bit should only be True if the Resync EntryID is not found in the buffer, and buffered information has been discarded prior to resync/enabling of reporting. See Tissue 453	-	✓
331	p.143, 17.2.2 Para. d)	<b>SBO Control Normal Security</b>	<b>Green</b>	Ed2: This is a specification issue, such that. "the control object shall turn to the state Ready if sboClass = OPERATE_MANY, or Unselected if sboClass = OPERATE_ONCE"	-	✓
332	p.88, 14.2.3.2.3.2	<b>Ambiguity in use of trigger options</b>	<b>Green</b>	Data attributes with empty trigger options will not trigger any reports other than those due to GI & integrity poll.	-	✓
333	p.110, 15.2.1.3	<b>Enabling of an incomplete GoCB</b>	<b>Green</b>	The revised text is: "If there are inconsistent attribute values in the GoCB (e.g. the value of DatSet is Null) or if the value of ConfRev equals 0, a SetGoCBValues with the parameter GoEna equals TRUE shall fail and a negative response shall be issued."	-	✓

Num	Doc. Ref.	Subject	Status	Comment	Conformance	Supported
334	p.142, 17.3.3	<b>Select a SBO object twice</b>	<b>Green</b>	<p>Ed2: Resetting the SBO Timeout timer may lead to security issues. the purpose of the SBO Timeout was to introduce an automatic un-selection to avoid that a control object remains unavailable for a long time after a selection. The proper AddCause depends on the state of the state machine associated to the control object. If the second select occurs before the operate request, then the AddCause shall be Already-selected.</p> <p>If the second select occurs after the operate request, then the Addcause shall be command-already-in-execution in both cases regardless if same or another client.</p> <p>Extend the Select timeout period for SBO. The tissue refers to SBO ES which we don't do. Under SBO ES you indicate reason to fail the operation. Under SBO the timeout is supported by extending the timeout (This is really a PIXIT issue)</p> <p>This TISSUE has had many contradictory possible resolutions. The Mx70 performs a "extend timeout" upon a second select from the same client.</p>	-	✓
335	p. 85, 14.2.3.2.2.8	<b>Clearing of Bufovfl</b>	<b>Green</b>	<p>Buffer Report Control Blocks are implemented in the Mx70 Series.</p> <p>The specification should add the following sentence; The BRCB shall clear the BufOvfl flag after the BRCB is able to buffer new un-reported events, which generally occurs immediately after the BRCB sends a report.</p>	-	✓

Num	Doc. Ref.	Subject	Status	Comment	Conformance	Supported
337	p.164, Annex A, Table A.2, M7 and M8	<b>Configuration Revision option missing</b>	Green	Ed2: Add the options missing in the "ASCI models conformance statement as follows: M7-11 : conf-revision M8-9 : conf-revision  The Protocol Implementation Conformance Statement (PICS) is updated to include configuration revision		✓
348	p.92, 93, 14.2.4, Para 14.2.5.2	<b>URCB class and report</b>	Green	Allow TimeOfEntry (report time stamp) of URBC reports to exist independent of missing EntryID.		✓
349	p.75, Para. 14.2.2.16, 14.2.3.2.2.9	<b>BRCB TimeOfEntry has two definitions</b>	Green	see Tissue 49 for definition of TimeOfEntry and interaction with EntryID, and uniqueness within the system. see Tissue 453 for chapter edition including the BRCB state machine.  EntryID in GetBRCBValues: "The value of EntryID, returned in a GetBRCBValues response shall be defined as follows: • When the BRCB state is disabled: a GetBRCBValues shall return the EntryID value that represents the last (i.e.newest) entry that has been entered into the buffer. • When the BRCB state is resync: a GetBRCBValues shall return the value of the EntryID specified within the last SetBRCBValues. • When the BRCB state is enabled: The value of EntryID, returned in a GetBRCBValues response, shall be the EntryID of the last set of events sent. (continued)		✓



Num	Doc. Ref.	Subject	Status	Comment	Conformance	Supported
		(349 continued from previous page)		<p>An EntryID value of all zeros(0) is reserved to indicate an empty buffer, no reported EntryID shall have a value of zero(0).</p> <p>TimeOfEntry in GetBRCBValues:                      "The value, returned in a GetBRCBValues response, shall provide the time stamp of the EntryID whose value is exposed in the control block. The value exposed for TimeOfEntry, when the value of EntryID is zero(0), is a local issue."</p>		
370	p.146,147 17.4 Procedure b)	<b>Time-activated operate and further conditions like mode</b>	<b>Final proposal</b>	<p>Ed2: Add the conditions that have to be met before the action can be activated:</p> <p>"b) On expiration of the timer the wanted action shall be activated (if the conditions LNBeh = on or test AND LDMode = on or test AND Loc of LN = false AND Loc of LLN0 = false) and a response shall be sent to the client."</p> <p>In general: the State Machines for control should reflect these conditions as well ... may be it would be sufficient to state this at the beginning of clause 17 (Control). These conditions have to be met in any case.</p> <p>Note: The Mx70 does not support time activated operate</p>	-	N/A

Num	Doc. Ref.	Subject	Status	Comment	Conformance	Supported
373	p.64, clause 12	<b>Substitution subVal and subID</b>	Green	<p>Ed2: To keep track which client issued the last set it is required to set the subID anytime when a new value is set for: subVal, subMag, subCMag, and subQ.</p> <p>This may be implemented in an SCSM by a set service that carries two values: one for subXxx and one for subID.</p> <p>With reporting and logging one could track the sequence of changes.</p> <p>If we want to prevent a second client to change any substitution values (in state subEna=True), then we would need a semaphore for substitution (or a similar mechanism).</p> <p>Note: The Mx70 does not support substitution.</p>	-	N/A
374	p.64, clause 12	<b>Over-write substitution values</b>	Green	<p>Ed2: After subEna is set to True it shall be possible to set new values (over-write the current values) for subVal, subMag, subCMag, subQ, and subID. The updated values shall be used to update the corresponding process values (stVal, ...).</p> <p>The over-write of the values subVal, subMag, subCMag, and subQ shall be accompanied by a new value for subID.                      (Note: The Mx70 does not support substitution.)</p>	-	N/A
384	p.18, 5.3, Figure 3	<b>Conceptual service model in 5.3</b>	Green	Log is not used	-	N/A
386	p.54, 10.4.2.3	<b>GetDataValues - leafs not access</b>	Green	The attempt to set a DataAttribute or an underlying component that is not available shall be interpreted as a service failure.	-	✓

Num	Doc. Ref.	Subject	Status	Comment	Conformance	Supported
391	p.21, 5.5.2, Table 2	<b>Basic Types (STRING)</b>	Green	Full name is 129 octets	-	✓
405	p.160 & 161 20.2.2	<b>SetFile</b>	Green	SetFile is not supported	-	N/A
417	p.120, 15.3.3.1	<b>GSSE service definitions</b>	Green	GSSE is not supported	-	N/A
426	p.58, 11.2.1	<b>Dataset contents configurability</b>	Green	<p>Ed2: The following text has been added: An IED which claims to support dynamic creation of datasets (CreateDataSet) shall be able to receive (as a server), send (as a client), and process (as a server or as a client) any valid FCD or FCDA definition contained in the CreateDataSet request. An IED which claims to support configuration of datasets (via SCL) shall be able to process (as a server or as a client) any valid FCD or FCDA definition contained in the corresponding SCL file.</p> <p>Note: Unknown whether the Alstom MiCOM IED Configurator will support this configurability</p>	-	✓
453	Clause 14	<b>Reporting &amp; Logging model revision</b>	Green	Ed 2 behaviour is followed including resync	-	✓
455	Clause 17	<b>Canceling a started control sequence</b>	Green	<p>Ed.2: Canceling a started control sequence shall be possible.</p> <p>The Edition 1 (Ed.1) does limit the use of cancel for too few cases.</p> <p>It should also be clarified when a cancel can be successfully performed by another client than the one that started the control sequence.</p> <p>Clarify in Edition 2.</p>	-	✓

**4.9 Part 7-3 Standard**

**4.9.1 Specification scope**

The scope of part 7-3 of the IEC61850 standards covers the abstract common data class definitions.

**4.9.2 Editorial and schema related TISSUES**

The following technical issues are editorial or schema related only:

56,57,58,59, 61,62,64,138,161,182,213,266,340,358,359,414,424,483

**4.9.3 Question only Tissues**

The following technical issues are questions only and no compliance is required:

66,,67,214,223,274,312,437,489,530,531,542,581

**4.9.4 Technical Issues**

Num	Doc. Ref.	Subject	Status	Comment	Conformance	Supported
28	7.6.2	<b>Definition of APC</b>	<b>Green</b>	The APC Common data class (CDC) is not used within the Mx70 data model.	O	N/A
54	6.11	<b>Point def xVal, not cVal</b>	<b>Green</b>	"Point " is not used	?	N/A
55	7.4.5 Table 25	<b>Ineut = Ires ?</b>	<b>Green</b>	Resolution matches measurements for Mx70 devices  Four currents are available for direct measurement using CTs (A,B,C, neutral). Some systems only measure 3 and estimate the "neutral" using instantaneous summations of the phase currents. An additional computed measurement is the residual which is computed in exactly the same fashion as the neutral estimate. (continued)	?	✓

Num	Doc. Ref.	Subject	Status	Comment	Conformance	Supported
		(55 continued form previous page)		<p>The key difference is that some systems need the residual value even when there already is a direct measurement of the neutral current. In fact, the difference between the neutral current and the residual current represents the "leakage" current (current passing though paths outside of the measurement paths). When only 3 measurement CTs exist the neutral and residual should produce identical results, but we still should allow systems with direct neutral measurements.</p> <p>Explanation added in table 48 clause 8</p> <p>1) neut (WYE): modified explanation: "Value of the measured phase neutral. If a direct measurement of this value is not available, it is acceptable to substitute an estimate computed by creating the algebraic sum of the instantaneous values of currents flowing through all live conductors. In that case, 'neut' is identical to 'res'. For further details see phsA (WYE)."</p> <p>(2) res: add the text "For further details see phsA (WYE)"</p> <p>(3) net: add the text "For further details see phsA (WYE)"</p>		

Num	Doc. Ref.	Subject	Status	Comment	Conformance	Supported
60	Table 13/21 and other	<b>Services missing in tables</b>	<b>Green</b>	Document issue is resolved by defining the list of services supported by the data attributes: for GSE models (SendGOOSEMessage, ...)	?	N/A
63	General	<b>mag in CDC CMV</b>	<b>Green</b>	Add the following notes: - that the instCVal.mag (the mag component of Vector) is NOT a deadbanded value. - that the deadband calculation for cVal.mag and cVal.ang is based on instCVal.mag and instCVal.ang - Data attribute mag is not the same as data attribute component of the data attribute type vector.	?	✓
65	General	<b>Deadband calculation of a Vector and trigger option</b>	<b>Green</b>	Deadbands of vectors apply only to cVal.mag component.	?	N/A
68	General	<b>New CDC ACI</b>	<b>Green</b>	The Common Data class ACI is unused in Mx70 devices.	O	N/A
164	6.5	<b>Deadband on range limits</b>	<b>Green</b>	Edition 2 tissue.	?	N/A
171	p.24,p.40 p.46	<b>Enums from 7-4</b>	<b>Green</b>	The issue was already addressed and solved as Part of Tissues 120/146.	?	✓
204	7.7 and 7.8	<b>Reporting of setting values</b>	<b>Green</b>	Mx70 doesn't do reporting of control settings	?	✗
205	p.42 7.9.2 table 46	<b>Device name plate - missing description "d" and "dU"</b>	<b>Green</b>	Attributes "d" and "dU" are always optional. Mx70 utilizes "d" description but not "dU"	O	✗
217		<b>CDC for LN Inputs</b>	<b>Green</b>	Mx70 data models do not use the ORG Common Data Class (CDC)	?	N/A
219	7.3.5 Table 17	<b>operTm in ACT</b>	<b>Green</b>	ACT is not used in the Mx70 data model	?	N/A

Num	Doc. Ref.	Subject	Status	Comment	Conformance	Supported
239	p.22, clause 7.2, Table 12	<b>Conflict of LPL definitions with requirements of Namespace</b>	<b>Green</b>	Logical device Namespace, LdNs, is in LLN0.LPL	?	✓
240	p.61, Table A.4	<b>New type of SI unit</b>	<b>Green</b>	PFRC is not used in Mx70	Tbd	N/A
247	p.60-62, Table A	<b>Miss % representation</b>	<b>Green</b>	For %, SIUnit: Value = 1 (dimensionless), multiplier: Value = 2	?	✓
265	6.2.1	<b>Quality extension</b>	<b>Red</b>	Edition 2 tissue.	?	N/A
266	p.28, and more, 7.4.2 and more, Table 22 and more	<b>Open Enumeration of range</b>	<b>Green</b>	Optional MX component "range" not supported in Mx70.	?	N/A
270	p.31, clauses 7.4.5, 7.4.6	<b>WYE and DEL rms values</b>	<b>Green</b>	Interpretation of magnitude (rms or phasors): If there is an angle present, the values are phasor values and attribute mag represents the maximum value of the sinusoidal wave form. If there is no angle present, the attribute mag represents an rms value.  Default of Rms is used. in Mx70.	?	✓
327	p.61, Table A.4	<b>More new types of unit</b>	<b>Green</b>	New unit types "Number of characters" and "Baud" are not applicable	?	N/A
328	p.61, Table A.4	<b>New unit for frequency functions</b>	<b>Green</b>	New unit types "Number of cycles" and "Baud" are not applicable	?	N/A
330	7.4.8 thru 7.4.10	<b>CDC HMV, HWYE, HDEL</b>	<b>Green</b>	Substitution is not supported in the Mx70 devices.	?	N/A
375	p.25, 7.3.6	<b>Directional loop activation information</b>	<b>Green</b>	Common Data Class ACD is not used.	?	N/A
439	p.47, 7.8.2 (ASG) Table 43	<b>Lower limit of stepSize in ASG</b>	<b>Green</b>	stepSize is not used	?	N/A

Num	Doc. Ref.	Subject	Status	Comment	Conformance	Supported
469	-	<b>oper timeout missing in controlable CDC</b>	<b>Green</b>	Enhanced security is not used	?	N/A
482	p.29, 7.4.3, Table 23	<b>Quality evaluation of a Vector</b>	<b>Yellow</b>			
519	Annex A	<b>Add new unit to table A4</b>	<b>Green</b>	New unit turbine inertia is not used.	?	N/A
525	7.4.2, Table 22	<b>subMag and instMag in CDC MV</b>	<b>Final proposal</b>			
615	p.22, Table 12	<b>dataNs, cdcNs, InNs definitions</b>	<b>Red</b>			
1199	p.26, 7.3.8	<b>Allow INT32 for CDC BCR</b>	<b>Green</b>	INT32 now required for BCR.actVal/frVal for Ed1		



#### **4.10 Part 7-4 Standard**

##### **4.10.1 Specification scope**

The scope of part 7-4 of the IEC61850 standards covers the compatible Logical Node class and data class definitions.

##### **4.10.2 Editorial and schema related TISSUES**

The following technical issues are editorial and schema related only:

69,70,71, ,77,78, ,87,88,89,100,107,108,145, 255,  
381,382,383,394,395,396,397,401,432,441,442,443,485,486,487

##### **4.10.3 Question only Tissues**

The following technical issues are questions only and no compliance is required:

81,93,103,215,221,241,248,321,444,448,464,481,538,543,544

**4.10.4 Technical Issues**

<b>Num</b>	<b>Doc. Ref.</b>	<b>Subject</b>	<b>Status</b>	<b>Comment</b>	<b>Conformance</b>	<b>Supported</b>
72	General	<b>Single phase metering missing</b>	<b>Green</b>	The Mx70 devices do not support Non phase related Metering; hence this new Logical Node MMTN is not used within the data model.	M1.1	N/A
73	5.11.3 5.11.4	<b>Instances of LN SIMG (SIML)</b>	<b>Green</b>	Logical Node SIMG (SIML) on insulation medium supervision is not used in Mx70 devices.	Tbd	N/A
74	Clause 6	<b>PresTr</b>	<b>Green</b>	The Data Object named Insulation Liquid pressure trip (PresTr) and Logical Node Insulation medium supervision (liquid) are not used. in Mx70 devices		N/A
75	5.7.1	<b>Str and Op</b>	<b>Green</b>	Str and Op are already optional in the GAPC logical node, however Mx70 devices do not use this logical node within the data model.	Tbd	N/A
76	Clause 6	<b>CBOpCap and SwOpCap</b>	<b>Green</b>	Data Objects CBOpCap and SwOpCap are not used in the Mx70.	?	N/A
79	Clause 6, Table 9	<b>AutoRecSt and Lockout</b>	<b>Green</b>	These Data objects are not used.	?	N/A

Num	Doc. Ref.	Subject	Status	Comment	Conformance	Supported
80	5.13	<b>TCTR and TVTR - Over</b>	<b>Green</b>	This tissue makes Amp and Vol conditional for Ed2 only.	?	N/A
82	5.10	<b>New LN Class, control measuring function</b>	<b>Green</b>	New Logical Node class MCXL is not used in Mx70 devices.	?	N/A
83	5.6.6	<b>Operation by CSWI.</b>	<b>Green</b>	CSWI is not used	?	N/A
84	Clause 6, Table 9	<b>Data Name "InOv"?</b>	<b>Green</b>	LPHD.InOv is not used in Mx70 devices	?	N/A
85	Clause 6, Table 9	<b>RsStat - device security statistics</b>	<b>Green</b>	RsStat is not used in Mx70 devices	?	N/A
86	Clause 6, Table 9	<b>PwrSupAlm and EEHealth</b>	<b>Green</b>	Data objects are not used in Mx70 devices.	?	N/A
90	5.6.5	<b>Start a point on wave</b>	<b>Green</b>	CPOW is not used in Mx70 data models.	TBD	N/A
91	5.11.3	<b>SIMG mix of ...</b>	<b>Green</b>	SIMG is not used in Mx70 data models.	TBD	N/A
92	5.11.4	<b>PresAlm and PresTr</b>	<b>Green</b>	SIML and SIMG are not used in Mx70 data models	TBD	N/A
94	5.3.4	<b>Loc and CDC SPS/SPC?</b>	<b>Green</b>	-Loc is not used	TBD	N/A
95	5.3.4	<b>Proposed called BlkStat</b>	<b>Green</b>	-Proposal was bit accepted	TBD	N/A
96	5.7.3	<b>LN GSAL - OpCntRs</b>	<b>Green</b>	GSAL is not used in Mx70 data models	TBD	N/A
97	5.8.1	<b>LN IARC and OpCntRs</b>	<b>Green</b>	GSAL is not used in Mx70 data models	TBD	N/A
98	5.7.3 5.8.1	<b>GSAL/IARC and NumCntRs</b>	<b>Green</b>	GSAL and IARC Logical Nodes are not used within mx70 data models	TBD	N/A
99	Clause 6	<b>NamPlt of LLN0</b>	<b>Green</b>	The LLN0 contains common information for the LD like Health, Mode and Beh and NamPlt.	?	✓
101	5.5.2	<b>LevMod - disturbance recorder</b>	<b>Green</b>	LevMod is not used	-	N/A
102	5.5.2	<b>RDRE - Sample Rate</b>	<b>Green</b>	New Attribute RDRE sample rate is not applicable	-	N/A
104	5.6.6	<b>LN CSWI - open/close</b>	<b>Green</b>	LN CSWI not used in Mx70 data models	?	N/A
105	5.10.	<b>LN Group M - EEHealth</b>	<b>Green</b>	EEHealth is not used	?	N/A
106	5.10.7.	<b>MMXU – EEHealth</b>	<b>Green</b>	EEHealth is not used	?	N/A
132	5.12.4	<b>SwARsAlm in XCBR</b>	<b>Green</b>	XCBR is not used	?	?
133		<b>LN RREC – Unsuccessful</b>	<b>Green</b>	RREC is not used	-	N/A

134	5.7.2	<b>LN GGIO</b>	<b>Green</b>	More than one Data of the same type is allowed. Data Instances are used (e.g. Ind1, Ind2, Ind3)	?	✓
-----	-------	----------------	--------------	---	---	---

Num	Doc. Ref.	Subject	Status	Comment	Conformance	Supported
147	p.80, clause 6, Table 9	<b>Mod</b>	<b>Green</b>	Mod is read only	-	N/A
148	5.7.3, 5.8.1	<b>OpCntRs</b>	<b>Green</b>	OpCntRs is not used	?	N/A
152	5.9.3, 5.9.4, 5.9.5	<b>Automatic Voltage Control - AVCO, ATCC, ARCO</b>	<b>on hold</b>		?	?
153		<b>Missing Automatic Infeed Switching</b>	<b>on hold</b>		?	?
199		<b>Input of logical nodes</b>	<b>Green</b>	Duplicate Tissue. See Tissue 216.	?	N/A
208	5.7.3, 5.8.1	<b>NumCntRs - Control?</b>	<b>Green</b>	NumCntRs is not used	?	N/A
209	p.46, 5.7.3	<b>Authorization Failure</b>	<b>Green</b>	Authorization is not used		N/A
216	5.3.3	<b>Description of LN inputs</b>	<b>Green</b>	New Features to add generic CDC input	Tbd	NA
252	p.31, 5.4.22	<b>PTTR.AlmThm</b>	<b>Green</b>	AlmThm is defined to be of ACT class. The ACT class is not used.	?	NA
256	p.55, 5.10.7	<b>MMXU and rms values</b>	<b>Green</b>	Values of MMXU of CDC WYE/DEL can have two meanings: - with angle present they are phasors and the attribute mag represents the maximum value of the sinusoidal waveform - with angle not present, they should represent rms values.  Angle is not present, Mag is rms for A, PhV and PPV	?	✓
257	5.10.2	<b>LN MDIF – Amp1, etc</b>	<b>on hold</b>		?	?
263		<b>Setting Local time or summer/winter time</b>	<b>Green</b>	Proposed to add two new settings to LPHD: - time of next change to daylight saving time - time of next change to standard time These settings would be of new CDC to be defined. The proposed Data objects are not used	?	N/A
264	General	<b>LN's SCBR, SSWI</b>	<b>Green</b>	Ed2: These Logical Nodes (LN's) for condition monitoring information from switchgear are not used	?	N/A

Num	Doc. Ref.	Subject	Status	Comment	Conformance	Supported
268	p.29, 5.4.18	<b>PTOC Enabling Blocking by Harmonic restraint</b>	<b>Green</b>	Unused in Mx70 devices	?	N/A
269	p.30, 5.4.21	<b>PTRC and Switch on to fault</b>	<b>Green</b>	Unused in Mx70 devices	?	N/A
281	p.40, 5.5.9	<b>LN RPSB</b>	<b>Green</b>	Unused in Mx70 devices	?	N/A
283	p.27	<b>SchTyp in LN PSCH</b>	<b>on hold</b>		?	?
288	p.36, 5.5.2	<b>RDRE.RcdTrg</b>	<b>Green</b>	The proposal to trigger a recorder from an external command was not accepted No change to the standard has resulted.	?	N/A
304		<b>Assignment of new letters for logical nodes</b>	<b>on hold</b>		?	?
306	-	<b>Local / Remote</b>	<b>Green</b>	Loc is not used	?	N/A
309		<b>Interval Meter - MITV</b>	<b>on hold</b>		?	?
311	Clause 4	<b>Include (or reject) the suggested Abbreviated Terms in WG17's 61850-420</b>	<b>on hold</b>		?	?
319	71 5.3.3	<b>'behavior' attribute is not required for LLN0</b>	<b>Green</b>	Behavior attribute "Mod" was mandatory and will become optional.	?	N/A
320	p.91, clause A.1.1.2, Para.2	<b>Numbering of extended data</b>	<b>Green</b>	The numbering convention to be applied is unclear in regards to additional Data needed more times than defined in the Logical Node class. AnIn isn't used for the Logical node class in Mx70 devices GosGGIO1 has Data Objects, AnIn1 and AnIn2, but AnIn has been suppressed per Tissue 320	?	✓
324	p.27, 5.4.15	<b>Str in LN PSCH</b>	<b>on hold</b>		?	?
343	p.48, 5.9.4	<b>ATCC.ParOp</b>	<b>Green</b>	The parallel operation attribute in ATCC is not used in Mx70.	?	N/A
360	p.48-49 5.9.4	<b>ATCC.LTCBik &lt;--&gt; ATCC.Auto</b>	<b>Green</b>	The proposal to change attribute name and type was rejected.	-	N/A

Num	Doc. Ref.	Subject	Status	Comment	Conformance	Supported
362	-	<b>SP versus DP on electrical IED inputs</b>	<b>Green</b>	Double point information on model level was introduced because all 4 resulting states have some semantic meaning and not because of communication reliability. No change proposed.	-	N/A
363	-	<b>L/R Security versus Information</b>	<b>Green</b>	Issue for Ed.2: An IED Loc, Local/Remote switch, is not used in Mx70:	?	N/A
467	p.45, 5.7.2, Para 1	<b>GGIO -- Limitation of Floating point set point</b>	<b>Green</b>	New Data Object (DO)	?	N/A
468	p.37, 5.5.3.5.5.4	<b>DR -- Requires more explanation</b>	<b>Green</b>	RADR and RBDR are not used	?	N/A
475	p.92, Annex A.3 all para.	<b>Specialization of data by use of the number extension</b>	<b>Final proposal</b>		?	?
476	p.49, 5.9.4	<b>ATCC.BlkVLo / BlkVHi</b>	<b>Green</b>	Not used in Mx70 devices	?	N/A
477	p.59, 5.12.1	<b>XCBR.HeatAlm</b>	<b>Green</b>	Not used in Mx70 devices	?	N/A
478	p.46, 5.8.2	<b>emergency off, IHMI.EmgOff</b>	<b>Green</b>	Not used in Mx70 devices	?	N/A
479	-	<b>%-change of measured values</b>	<b>Green</b>	Consider this as a status "Blue" question Tissue.	?	N/A
480	p.58, 5.11.4	<b>SIML.TmpAlm</b>	<b>Green</b>	Not used in Mx70 devices	?	N/A
488	-	<b>Input for Logical Nodes: Data Object binding</b>	<b>Final proposal</b>		?	?
539	-	<b>Dynamic Protection Blocking</b>	<b>Final proposal</b>		?	?
584	p.36, 5.5.2	<b>RDRE missing FullSt</b>	<b>Final proposal</b>		?	?
585	p.36, 5.5.2	<b>RDRE and associated file directory location</b>	<b>Final proposal</b>		?	?
591	-	<b>SIML</b>	<b>Final proposal</b>		?	?

**4.11 Part 8-1 Standard**

**4.11.1 Specification scope**

The scope of part 8-1 of the IEC61850 standards covers the specific communication service mapping (SCSM) to the MMS protocol.

**4.11.2 Editorial and schema related TISSUES**

The following technical issues are editorial and schema related only:

109,110,111,112,115, 117,120,121,123,143,144,  
 224,227,231,237,276,279,290,299,314,323,344,365,419,430,459

**4.11.3 Question only Tissues**

The following technical issues are questions only and no compliance is required:

113,131,140,162,167,175,194,200,202,207,225,226,228,229,230,232,238,242,249,301,326,380,466,470

**4.11.4 Tissues - Not Applicable for Mx70:**

143,144,222,377

**4.11.5 Tissues – Unresolved:**

246,527,528,535,541,547,583,596

**4.11.6 Technical Issues**

Num	Doc. Ref.	Subject	Status	Comment	Conformance	Supported
114	17.1.1.1 & 17.1.1.2	<b>Naming URCB</b>	<b>Green</b>	Tissue was not accepted	-	N/A
116	8.2.1.3, 9.2.2.3	<b>GetNameList with empty response?</b>	<b>Green</b>	The GetLogicalDeviceDirectory response- should be an MMS GetNamedList response+ with moreFollows=FALSE and a NULL List.  If the GetNamedList service is issued for a Domain scoped object and the Domain does not exist, then a Confirmed-Error response with object-non-existent shall be returned.	?	✓
117	18.1.2.5	<b>TimeAllowedtoLive - how long to wait?</b>	<b>Green</b>	Tissue was not accepted, however document is revised so that Client/Server was replaced by Publisher/Subscribers	?	✓



Num	Doc. Ref.	Subject	Status	Comment	Conformance	Supported
118	23.1	<b>File directory</b>	<b>Green</b>	The File list excluded the "Directory". KEMA recommends always including the directory separator. When the last character of FileName is the file separator "\", it's a directory	?	N/A
119	-	<b>MMS GetCapabilityList required?</b>	<b>Green</b>	Ed 2 - MMS GetCapabilityList service: Services from the SCL-File shall be given as an example in edition 2  GetCapabilityList is not supported because tissue is not clear enough without an example to implement a technical resolution. Issue needs to be further clarified.	?	*
122	25.1.1.1, Table 111	<b>P-Type = IP; DNS name</b>	<b>Green</b>	DNS name is not allowed and is removed from the table	?	✓
128	18, 19	<b>Add DstAddr to GsCB, SV</b>	<b>Green</b>	Mx70 devices do not use GSCB and SVCB in the data models.	-	N/A
165	p.47 14.3.1	<b>Improper Error Response for GetDataSetValues</b>	<b>Green</b>	Issue is regarding an ACCESS error to GetDataSetValues requests executed for a non-existent DataSet (e.g. VGET in MMS), MMS ErrorResponse of Class= ACCESS and Error Code= OBJECT-NON-EXISTENT to be returned	?	✓
168	p.32 7.3.2 Para 2	<b>Order of attributes in MMS components</b>	<b>Green</b>	Within a MMS component, representing IEC 61850-7-4 DATA, the order of MMS components is determined by the order of the names of the common data classes (as defined in IEC 61850-7-3 or IEC extensions of it). For private CDCs the order of attributes within the MMS component shall be identical to the order within the SCL ICD file describing the data model.	?	✓
177	p.52 17.1.1.2 Table 39	<b>Ignoring OptFlds bits for URCB</b>	<b>Green</b>	For an Unbuffered Report Control Block (URCB), the Server ignores the values of bits buffer-overflow and entryID in a write request and the value is always 0 when reading these bits.	?	✓

Num	Doc. Ref.	Subject	Status	Comment	Conformance	Supported
183	p. 39 9.3 Table 17	<b>GetNameList error handling</b>	<b>Green</b>	No change is needed since tissue 116 resolves this issue. The GetServerDirectory service is restricted to return the list of LogicalDevices (e.g. Domains) or a list of Files. Therefore, it is not possible to request a Domain object scope. The text explicitly specifies that the MMS GetNamedList objectClass is Domain. Deleted reference to Table 17 in clause 11. Tissue 116 resolution added text to clause 11 that resolved this issue	?	✓
196	Annex E	<b>SCL for Control</b>	<b>Green</b>	See 173; Add an example in part 6 and 8-1	?	✓
198	see tissue #114	<b>Instantiation of URCB</b>	<b>Green</b>	This is linked to part 6 tissue 243.  Unbuffered Report control Blocks (URCBs) are always indexed.	Tbd	✓
235	8.1.3.2	<b>Extension of Name length</b>	<b>Green</b>	The length of names has been expanded; changes are required to adapt to the new name length. Change 65 to 129. Then after the -VMD paragraph add:  "The maximum MMS Object Name and Domain Name size shall be constrained by the MMS maxidentifier size of 64 (see Annex G)."	?	✓

Num	Doc. Ref.	Subject	Status	Comment	Conformance	Supported
260	p.93 23.2.4 Para 1	<b>GetFileAttributeValues</b>	<b>Green</b>	<p>Change Clause 23.2.4 (IEC 61850-8-1) to:                      "The ACSI GetFileAttributeValues should be mapped to a MMS FileDirectory service as expressed in table 83. An ACSI GetFileAttributeValues Request shall cause an MMS FileDirectory request to be issued. Only one answer of the MMS FileDirectory should return with the FileName and FileAttributes of the requested file. This is the information that shall be indicated as part of the ACSI GetFileAttributeValues Response +."</p> <p>Change in Table 83 (col. 2, row 3) "FileName" to "FileSpecification" in the MMS FileDirectory Request to be more accurate.</p>	?	✓
262	p.88 20.8	<b>LastApplError Error codes</b>	<b>Green</b>	<p>Define in Part 8-1 how enhanced security is used:                      TimeOut Test Not OK shall be returned if a TimeActivated Control CMD is issued, with TEST=TRUE, and the operation fails.</p> <p>Operator Test Not OK shall be returned if an OPER control CMD is issued, with TEST=TRUE, and the operation fails.</p> <p>Error codes are only applicable to enhanced security. Enhanced security is not implemented for Mx70 devices.</p>	?	N/A

Num	Doc. Ref.	Subject	Status	Comment	Conformance	Supported
292	p. 18 clause 4	<b>Explanation of r and w</b>	<b>Green</b>	Characteristics are clarified as follows: "r = mandates that the item is readable. The ability to write the item is a local issue."  "rw"= Mandates that the item is both readable and writeable."  "w = Mandates that the item is writeable. The ability to read the item is a local issue."	?	✓

Num	Doc. Ref.	Subject	Status	Comment	Conformance	Supported
368	p.84, p.86, 20.5, 20.7, 20.7.1.3	<b>Mapping of analog setpoints (SP)</b>	<b>Green</b>	Indicate that 7-2 "Value" is mapped to the underlying CDC of the control object. For example, part of PDIS.PoRch setpoint data is mapped to PDIS.PoRch.Oper.setMag.f and allow the setMag structured attribute of setpoints to be used. -Change 3 place 'Where <xxx> is the appropriate CDC (e.g. ctIVal or setMag)' to 'Where <xxx> is the appropriate CDC (e.g. ctIVal or setMag\$f or setMag\$i)' -The suggestion for Table E.8 shows mxVal for CDC APC. This CDC has only setMag and not mxVal. The M/O/C entry for this line should be as 'M for APC and ASG'. -Tables E.9 and E.10 should be modified like E.8 shown above	?	✓
422	p.34 7.3.1	<b>Order of extension data objects and data attributes</b>	<b>Green</b>	"Within a MMS component, representing IEC 61850-7-4 DATA, the order of MMS components is determined by the order of the names of the common data classes (as defined in IEC 61850-7-3 or IEC extensions of it). For private CDCs, or private Extensions, the order of attributes within the MMS component shall be identical to the order within the SCL ICD file describing the data model."	?	✓
433	p.122-126 Clause E.4	<b>Order of attributes in specialized CDCs for control service mapping</b>	<b>Green</b>	The TISSUE 168 resolves the issue. Normative Annex E (E.3 and E.4) of 8-1 is what is called an IEC extension. The Annex E.3 defines the order of the SBO, SBOw, Oper and Cancel attributes, E.4 the order of the service parameters of the CDCs (ctIVal, origin, ctIVal,...) within SBOw, Oper and Cancel structures.	?	✓
438	p.36 8.1.3.7	<b>EntryTime base should be GMT</b>	<b>Green</b>	EntryTime maps to MMS BINARY-TIME. Clarification was needed that EntryTime is based on GMT.	?	✓

Num	Doc. Ref.	Subject	Status	Comment	Conformance	Supported
446	-	<b>Send only values(not structures) by GOOSE</b>	<b>Blue</b>	Ed.2: IEC61850-7-2, allows Datasets to contain structures or single attributes. Both Structure and single attributes are supported by Mx70 devices.	?	✓
545	p. 89 Clause 23.1	<b>File directories</b>	<b>Green</b>	The Mx70 device does not have files specific to any of the Logical Devices. Therefore, Mx70 devices do not contain any root- based "LD" directories.	?	✓
586	-	<b>GOOSE re-transmission &amp; TATL</b>	<b>Blue</b>	Ed.2: 2 Messages are sent within the GOOSE TimeAllowedToLive (TATL) time.	?	✓
587	p.33, 8.1.1	<b>INT128 Range is not usable</b>	<b>Green</b>	Removed INT128 and replace with INT64	?	✓
609	p.125 clause E.4.2	<b>origin and ctlNum optional?</b>	<b>Blue</b>	Ed.2: Proposal will either make these attributes optional or mandatory. Data attributes Origin and ctlNum are both present in Mx70 devices.	?	✓

#### **4.12 Part 9-1 Standard (Not supported)**

##### **4.12.1 Specification scope**

The scope of part 9-1 of the IEC61850 standards covers the specific communication service mapping (SCSM) for sampled values over a serial unidirectional multi-drop point-to-point link.

##### **4.12.2 Technical Issues**

The Mx70 IED devices do not support part 9-1 of the IEC61850 standards. TISSUES relating to this part therefore do not affect the application implementation, hence Tissues are not listed in this section.

#### **4.13 Part 9-2 Standard (Not supported)**

##### **4.13.1 Specification scope**

The scope of part 9-2 of the IEC61850 standards covers the specific communication service mapping (SCSM) for sampled values over ISO/IEC 8802-3

##### **4.13.2 Technical Issues**

The Mx70 IED devices do not support part 9-2 of the IEC61850 standards. TISSUES relating to this part therefore do not affect the application implementation; hence Tissues are not listed in this section.

**4.14 Part 10 Standard**

**4.14.1 Specification scope**

The scope of part 10 of the IEC61850 standards covers the conformance testing of a device.

**4.14.2 Editorial and schema related TISSUES**

The following technical issues are editorial and schema related only:

156

**4.14.3 Question only Tissues**

The following technical issues are questions only and no compliance is required:

372,613

**4.14.4 Technical Issues**

Num	Doc. Ref.	Subject	Status	Comment	Conformance	Supported
206	5.4.1, 6.2.4.5, 5.5	<b>Add Conformance Blocks</b>	White		?	?
218		<b>Need new test case</b>	Red	Ed.2: GOOSE, in 7-2, allows both FCD and FCDA information to be conveyed. A test case needs to be created that tests an implementation's ability to receive an FCD.	?	?
336	Clause 5.5, last paragraph	<b>Test context</b>	Red	Conformance test documentation shall be supplied to the initiator and made available (on request) to potential customers of the device tested. The test certificate will indicate the conformance test has been performed according to IEC 61850-10 and refer to : - PICS - IEC 61850 Protocol Information Conformance statement; - MICS - IEC 61850 Model Implementation Conformance statement, and - TICS - technical issue conformance statement. (continued)	?	?



Num	Doc. Ref.	Subject	Status	Comment	Conformance	Supported
		(336 continued from previous page)		- PIXIT - Protocol Implementation extra information for testing” Supplying conformance documentation should not be made mandatory in Part 10		
376	p.25, 6.2.4.9.2	<b>Negative Test case on substitution</b>	White	Mx70 devices do not support substitution.	?	N/A
420	p.20, 6.2.4.3	<b>Configuration file test cases</b>	Red		?	?
421	p.20, 6.2.4.3	<b>Versioning of schema for configuration files</b>	White		?	?
594	p.35, Table 28 Para. CtIN3	<b>Controls to the same direction</b>	Red	XCBR breaker commands are not supported in Mx70 devices.	?	N/A
597	p.35, Table 27	<b>TimeActivatedOperate in 61850-7-2 is not the same to TimeActivation of 61850-8-1</b>	White		?	?

---

**Section 5    PIXIT**

**Protocol Implementation Extra Information for Testing**

---

---

## **5. PROTOCOL IMPLEMENTATION EXTRA INFORMATION FOR TESTING (PIXIT)**

### **5.1 Introduction**

This document specifies the **P**rotocol **I**mplementation **eX**tra **I**nformation for **T**esting (**PIXIT**) of the IEC61850 interface for the Mx70 family of IED measurement devices. Together with the PICS and MICS specifications the PIXIT forms the basis for conformance testing in accordance with part 10 of the IEC61850 standard specifications.

### **5.2 Document structure**

Each section within this specification specifies the PIXIT for each supported ACSI service model as structured in parts 7-2 and 10 of the IEC61850 standard specifications.

5.3 Application Association Model

Table 3: PIXIT for Association model

ID	Description	Value / Clarification
As1	Maximum number of clients that can set-up an association simultaneously	20
As2	TCP_KEEPALIVE value	1 - 20 seconds Default = 5 seconds configurable by 'TCP Keepalive' parameter ('IEC Configurator')
As3	Lost connection detection time	60 seconds
As4	Is authentication supported	N
As5	What association parameters are necessary for successful association. NOTE - "AP Title" and "AE Qualifier" are only required if write permission is desired.	Transport selector N Session selector N Presentation selector N AP Title N* AE Qualifier N* (* ) - only if write permission is desired
As6	If association parameters are necessary for association, describe the correct values NOTE - The "AP Title" and "AE Qualifier" values are not checked, only the presence of the parameters is used to grant complete write permission. Unless both parameters are present, writes to many objects are disallowed.	Transport selector N/A Session selector N/A Presentation selector N/A  AP Title 1,3,9999,106 AE Qualifier 106
As7	What is the maximum and minimum MMS PDU size NOTE – In order to reduce the impact of file transfers during concurrent read-time data transfers, the file transfers are always segmented into a configuration-defined block size (default 1000 octets) regardless of the negotiated PDU size)	Max MMS PDU size 16000 bytes Min MMS PDU size 1000 bytes
As8	What is the maximum start up time after a power supply interrupt	For M57x, and M87x with H11 CPU; Approximately 75 seconds For M87x with H12 CPU module; Approximately 60 seconds
	<additional items>	
		The Mx70 IED does not support having groups of client associations and releases occur consecutively. In order to test the maximum number of simultaneous client associations (As1), it is recommended to use a minimum of 4 seconds between each group of client associations and subsequent releases.
		In order to use the TCP/IP addressing settings (i.e. IP address, Subnet address, Router mask) defined by the MiCOM IEC61580 IED Configuration tool, the

ID	Description	Value / Clarification
		check-box option, " <b>SCL(MCL) configuration overrides local settings</b> ", found under the <b>IEC61850</b> section of the <b>Identity Page</b> of the <b>70 Series Configurator</b> tool must be selected. Otherwise, the values selected in the 70 Series Configurator tool will take effect.

5.4 Server Model

Table 4: PIXIT for Server Model

ID	Description	Value/Clarification
Sr1	Which analogue value (MX) quality bits are supported (can be set by server)	Validity: Y Good, Y Invalid, N Reserved, Y Questionable N Overflow N OutOfRange N BadReference N Oscillatory N Failure N OldData N Inconsistent Y Inaccurate Source : Y Process N Substituted N Test N OperatorBlocked
Sr2	Which status value (ST) quality bits are supported (can be set by server)	Validity: Y Good, Y Invalid, N Reserved, N Questionable N Overflow N OutOfRange N BadReference N Oscillatory N Failure N OldData N Inconsistent N Inaccurate Source : Y Process N Substituted N Test N OperatorBlocked

ID	Description	Value/Clarification										
Sr3	What is the maximum number of data values in one GetDataValues request	Dependent on the negotiated size of the MMS PDU and the total length of all <i>ObjectReferences</i> to be included within the service request. The total length of all <i>ObjectReferences</i> must be less than the maximum supported MMS PDU size taking into account any relevant header information.										
Sr4	What is the maximum number of data values in one SetDataValues request	Dependent on the negotiated size of the MMS PDU and the total length of all <i>ObjectReferences</i> to be included within the service request. The total length of all <i>ObjectReferences</i> must be less than the maximum supported MMS PDU size taking into account any relevant header information.										
Sr5	Which Mode / Behavior values are support	<table border="0"> <tr> <td>On</td> <td>Y</td> </tr> <tr> <td>Blocked</td> <td>N</td> </tr> <tr> <td>Test</td> <td>N</td> </tr> <tr> <td>Test/Blocked</td> <td>N</td> </tr> <tr> <td>Off</td> <td>N</td> </tr> </table>	On	Y	Blocked	N	Test	N	Test/Blocked	N	Off	N
On	Y											
Blocked	N											
Test	N											
Test/Blocked	N											
Off	N											
	<additional items>											
		The CDC definition BCR includes a data attribute actVal whose type is INT32 according to Edition 1 of the standard. (refer to tissue #1199)										
		<p>Deadbands are supported in Mx70 IEDs for objects MMXU, MMXN and MSQI logical nodes.</p> <p>Mx70 IEDs do not have a built-in range limit for measurements, but deadbands are specified as a percentage change based on such a range. To resolve this, each measurement provides a range configuration in the data model where a minimum and maximum value can be set.</p> <p>Deadbands will be configured based on a percentage change of the applied measurement range. A deadband setting of zero (0) forces the measurement to follow the instantaneous value (i.e. deadbanding is disabled).</p> <p>For complex measurement types supporting both magnitude and angle, the deadband will only apply to the magnitude element.</p>										

ID	Description	Value/Clarification
		The Mx70 IED contains one (1) non-IEC61850 MMS domain named "ZPrivateLD". This domain is outside of the scope of the standard and as such, should not be included in any conformance testing to it.

**5.5 Data Set Model**

**Table 5: PIXIT for Data Set Model**

ID	Description	Value/Clarification
Ds1	What is the maximum number of data elements in one data set (compare ICD setting)	250 FCDAs  The number of elements in each reported data set is directly dependent upon the count of data attributes contained within the MX or ST functional constraints, as reported by the Report Control Blocks in each Logical Node instance.  None of the pre-defined data sets can be deleted.
Ds2	How many persistent data sets can be created by one or more clients (this number includes predefined datasets)	Dynamic data set creation is not supported
Ds3	How many non-persistent data sets can be created by one or more clients?	Dynamic data set creation is not supported
	<additional items>	
	Number of user definable data sets	26 (at configuration time)

**5.6 Substitution Model (not supported)**

**Table 6: PIXIT for Substitution model**

ID	Description	Value / Clarification

**5.7 Setting Group Control Model (not supported)**

**Table 7: PIXIT for Setting group control model**

ID	Description	Value / Clarification



5.8 Reporting Model

Table 8: PIXIT for Reporting Model

ID	Description	Value/Clarification
Rp1	The supported trigger conditions are (compare PICS)	integrity Y data change Y quality change N data update N general interrogation Y
Rp2	The supported optional fields are	sequence-number Y report-time-stamp Y reason-for-inclusion Y data-set-name Y data-reference Y buffer-overflow Y entryID Y conf-rev Y segmentation Y
Rp3	Can the server send segmented reports	Y
Rp4	Mechanism on second internal data change notification of the same analogue (FC=MX) data value within buffer period (Compare IEC 61850-7-2 §14.2.2.9)	Send report immediately
Rp5	Multi-client URCB approach (Compare IEC 61850-7-2 §14.2.1)	<p>Each client is assigned its own set of Unbuffered Report Control Blocks (URCB's)</p> <p>This allows clients to enable reporting based on their own requirements rather than having to share URCB resources with all other (connected) clients.</p> <p>Each Unbuffered Report Control Block can be used by at most one client. Clients should set Resv then set remainder of URCB, then enable the report. Reports enabled by another client cannot be altered.</p> <p>As each client is assigned its own URCB, the use of the reserve attribute becomes redundant although this is still supported within the control block.</p>
Rp6	(unused) was "What is the format of Entry ID"	
Rp7	What is the buffer size for each BRCB or how many reports can be buffered	25k bytes per report control block. Approximately 100 single event reports.
Rp8	Pre-configured RCB attributes that cannot be changed online when RptEna = FALSE (see also ICD report settings)	DatSet ConfRev

ID	Description	Value/Clarification
Rp9	May the reported data set contain: - structured data objects? - data attributes?	N Y
Rp10	What is the scan cycle for binary events? Is this fixed, configurable	Event driven Fixed
Rp11	Does the device support to pre-assign a RCB to a specific client in the SCL	N
	<additional items>	
	Number of Report Control Blocks	Unbuffered (URCB) 32 Buffered (BRCB) 4

**5.9 Logging Model (Not supported)**

**Table 9: PIXIT for Logging model**

ID	Description	Value / Clarification
	Mx70 IEDs have an existing measurement event log that is used to store historical data. This is only available through the soelog.txt file.	

5.10 Generic Substation Events Model

TABLE 10: PIXIT for Generic substation events model

ID	Description	Value / Clarification
Go1	What elements of a subscribed GOOSE header are checked to decide the message is valid and the allData values are accepted? If yes, describe the conditions. Note: the VLAN tag may be removed by an Ethernet switch and should not be checked	N source MAC address Y destination MAC address Y Ethertype = 0x88B8 Y APPID N gocbRef Y timeAllowedtoLive <ul style="list-style-type: none"> <li>• must be a value greater than zero (0)</li> </ul> Y datSet <ul style="list-style-type: none"> <li>• must be a valid reference to publishing devices GoCB</li> </ul> Y goID <ul style="list-style-type: none"> <li>• must be a valid reference to publishing devices GoCB</li> </ul> N t N stNum N sqNum Y test Y confRev <ul style="list-style-type: none"> <li>• must match publishing devices GoCB as set during device configuration (SCL)</li> </ul> Y ndsCom Y numDatSetEntries <ul style="list-style-type: none"> <li>• only after an initial message from the publishing device has been received and the device has been enrolled. Each subsequent message must contain the same number of data set elements as the first received message.</li> </ul>
Go2	Can the test flag in the published GOOSE be turned on / off	N
Go3	Does the DUT accept a configuration with a Goose control block with empty data set or too large data set?	Yes, but the GoEna can't be enabled
Go3	What is the behavior when the GOOSE publish configuration is incorrect	DUT keeps GoEna=F
Go4	When is a subscribed GOOSE marked as lost? (TAL = time allowed to live value from the last received GOOSE message)	d.) other – “GOOSE never marked as lost”

ID	Description	Value / Clarification						
Go5	What is the behavior when one or more subscribed GOOSE messages isn't received or syntactically incorrect (missing GOOSE)	No action taken, system state after GOOSE loss is unchanged.						
Go6	What is the behavior when a subscribed GOOSE message is out-of-order	It is processed as if it were in order.						
Go7	What is the behavior when a subscribed GOOSE message is duplicated	It is processed as if it were in order.						
Go8	Does the device subscribe to GOOSE messages with/without the VLAN tag?	Y, with the VLAN tag Y, without the VLAN tag						
Go9	May the GOOSE data set contain: - structured data objects (FCD)? - timestamp data attributes? Note: data attributes (FCDA) is mandatory	<table border="0"> <tr> <td data-bbox="847 701 1117 735">Subscribed</td> <td data-bbox="1123 701 1404 735">Published</td> </tr> <tr> <td data-bbox="847 743 1117 777">N</td> <td data-bbox="1123 743 1404 777">N</td> </tr> <tr> <td data-bbox="847 785 1117 819">N</td> <td data-bbox="1123 785 1404 819">N</td> </tr> </table>	Subscribed	Published	N	N	N	N
Subscribed	Published							
N	N							
N	N							
Go10	Published FCD supported common data classes / data types are	N/A						
Go11	Subscribed FCD supported common data classes / data types are	All CDCs except HMY, HWYE, HDEL and CSD						
Go12	What is the slow retransmission time? Is it fixed or configurable?	60000 mseconds with TAL = 120010 Configured by 'Maximum Cycle Time' parameter ('IED Configurator tool)						
Go13	What is the minimum supported retransmission time? What is the maximum supported retransmission time?  Is it fixed or configurable?	1 msecond  50 mseconds  Configured by 'Minimum Cycle Time' and 'Increment' parameters ('IED Configurator tool)						
Go14	Can the Goose publish be turned on / off by using SetGoCBValues(GoEna)	Y						
	<additional items>							

ID	Description	Value / Clarification
		<p>The data received in a GOOSE message is only processed when a change in status number (stNum), taken from the GOOSE message header, is detected.</p> <p>No validation checks are made to ensure the data has changed inline with the <i>stNum</i> increment and it is accepted and processed as per the normal procedure given above.</p> <p>The data is transferred onto Boolean, Integer, and Float values. Boolean and Integer input values can be converted to Boolean values when the data subscription parameters are met:</p> <p>Virtual Input state = True / On, when the received data value matches the Virtual Inputs target value in accordance with its comparison operator.</p> <p>Virtual Input state = False / Off, when the received data value does not match the Virtual Inputs target value in accordance with its comparison operator.</p>
		<p>Mx70 IEDs support thirty-two (32) each of Boolean, Integer, and Float virtual input signals each with their own GOOSE data set attribute index, target value and comparison operator.</p> <p>The following comparison operators are supported:</p> <p>GOOSE data value <b>EQUALS</b> target value</p> <p>GOOSE data value <b>IS NOT EQUAL TO</b> target value</p> <p>GOOSE data value <b>IS LESS THAN</b> target value</p> <p>GOOSE data value <b>IS GREATER THAN</b> target value</p>
		<p>If a GOOSE message from one of the subscribed publishers is not received within the TAL taken from the last valid GOOSE message from that publisher, <i>the value reverts to its default value (non-float) or remains at the last known value (float).</i></p> <p>It should be noted that this single alarm provides a Logical OR of all publishing IEDs that the Mx70 device has subscribed to. This alarm therefore remains set while there are one (1) or more publishers absent.</p> <p>It is not possible from this alarm condition to identify which publishing device has exceeded its TAL and has been classified as absent.</p>

ID	Description	Value / Clarification
		<p>If a GOOSE message is received and the <i>NdsCom</i> and/or <i>test</i> flags are set, the message will be accepted as valid [the TAL will be updated thus ensuring the device is called as fully subscribed within the Mx70's GOOSE scheme]. However, the message data will not be extracted nor processed within the IEDs GOOSE logic.</p> <p>Any Virtual Input that is driven by the incoming GOOSE message (flagged as <i>NdsCom</i> or <i>test</i>) will revert to its configured default value.</p>
		<p>Under normal circumstances a change to the data set published in a GOOSE message will result in an increment of the GOOSE Control Block (GoCB) <i>ConfRev</i> attribute.</p> <p>If the Mx70 has subscribed to a device that changes its published data set without incrementing the <i>ConfRev</i> attribute, it will attempt to extract and decode the data as normal. If successful, the data will be processed as normal. However, it should be noted that it will be a different data set element that is now driving the virtual input value. No alarm or warning conditions are reported for this situation.</p> <p>If the Mx70 device is unable to extract and decode the data then the GOOSE message be considered invalid and will be discarded.</p>
		<p>For the following conditions, a virtual inputs value will be forced to its configured default value:</p> <ul style="list-style-type: none"> <li>○ The publishing device is absent (e.g. no GOOSE messages are received).</li> <li>○ The received GOOSE message does not pass the validation criteria.</li> <li>○ The received GOOSE message has the test flag set.</li> <li>○ The received GOOSE message has the <i>NdsCom</i> flag set.</li> </ul>
		<p>GSSE (formerly UCA2 GOOSE) is not fully supported. However, GSSE messages are issued by the server under some conditions and GSSE reception can cause internal state changes. GSSE configuration is done via the 70 Series Configurator.</p>

TAL = Time Allowed to Live

5.11 Control Model

Table 11: PIXIT for Control Model

ID	Description	Value/Clarification
Ct1	What control modes are supported?	Y status-only Y direct-with-normal-security Y sbo-with-normal-security N direct-with-enhanced-security N sbo-with-enhanced-security
Ct2	Is the control model fixed, configurable and/or online changeable?	Configurable
Ct3	Is Time activated operated (operTm) supported?	N
Ct4	Is “operate many” supported	N
Ct5	Will the DUT activate the control output when the test attribute is set in the SelectWithValue and/or Operate request (when N test procedure Ctl2 is applicable)	N/A
Ct6	What are the conditions for the time (T) attribute in the SelectWithValue and/or Operate request?	No functionality
Ct7	Is pulse configuration supported?	N
Ct8	What is the behavior of the DUT when the check conditions are set  Is this behavior fixed, configurable, online changeable?	N synchrocheck N interlock-check  N/A
Ct9	What additional cause diagnosis are supported	N Blocked-by-switching-hierarchy N Select-failed N Invalid-position N Position-reached N Parameter-change-in-execution N Step-limit N Blocked-by-Mode N Blocked-by-process N Blocked-by-interlocking N Blocked-by-synchrocheck N Command-already-in-execution N Blocked-by-health N 1-of-n-control N Abortion-by-cancel N Time-limit-over N Abortion-by-trip
Ct10	How to force a “test-not-ok” respond with SelectWithValue request?	Not supported
Ct11	How to force a “test-not-ok” respond with Select request?	First confirm the point is configured to use SBOs mode. Then use the 70 Series Configurator tool to configure the digital output point to use automation.



ID	Description	Value/Clarification
Ct12	How to force a “test-not-ok” respond with Operate request?	Not supported while point is configured for SBOs mode. First confirm the point is configured to use Direct Operate mode. Then use 70 Series Configurator tool to configure the digital output point to use automation.
Ct13	Which origin categories are supported?	All
Ct14	What happens if the orCat value is not supported?	IED does not check value of orCat so any value is allowed even out-of-range values.
Ct15	Does the IED accept a SelectWithValue/Operate with the same ctlVal as the current status value?	DOs: Y SBOs: Y DOes: N/A SBOes: N/A
Ct16	Does the IED accept a select/operate on the same control object from 2 different clients at the same time?	DOs: N SBOs: N DOes: N/A SBOes: N/A
Ct17	Does the IED accept a Select/SelectWithValue from the same client when the control object is already selected (tissue 334)	SBOs: Y SBOes: N/A  Causes reset of select timeout
Ct18	Is for SBOes the interval validation performed during the SelectWithValue and/or Operate step?	Not supported
Ct19	Can a control operation be block by Mod=Off or Blocked	N
Ct20	Does the IED support local/remote operation?	N
Ct21	Does the IED send an InformationReport with LastAppError as part of the Operate Response- for control with normal security?	DOs: N SBOs: N
	<additional items>	
		One object at a time can be selected; no limit
		Control outputs used for IEC61850 control should not be used for general purpose configuration as defined by the 70 Series Configurator tool. All control outputs used for IEC61850-specific configuration should be set to default values by the 70 Series Configurator tool (Output Control page), ctlModel=direct operate, sboClass=once, sboTimeout=0, onDur=0 and offDur= 0.

5.12 Time and Time Synchronization

**Table 12: PIXIT Time and Time Synchronization Model**

ID	Description	Value/Clarification
Tm1	What quality bits are supported (may be set by the IED)	Y LeapSecondsKnown N ClockFailure Y ClockNotSynchronized
Tm2	Describe the behaviour when the time synchronization signal/messages are lost	The DUT maintains the time based on the last valid server timestamp using its internal high resolution timer.
Tm3	When is the time quality bit "ClockFailure" set?	This time quality bit is not supported
Tm4	When is the time quality bit "ClockNotSynchronized" set?	When the DUT does not receive a valid time sync message from any of the available time sync sources.
Tm5	Is the timestamp of a binary event adjusted to the configured scan cycle?	N/A (binary events are event driven)
Tm6	Does the device support time zone and daylight saving?	Y
Tm7	Which attributes of the SNTP response packet are validated?	Y Leap indicator not equal to 3? Y Mode is equal to SERVER N OriginateTimestamp is equal to value sent by the SNTP client as Transmit Timestamp N RX/TX timestamp fields are checked for reasonableness N SNTP version 3 and/or 4 N other (describe)
Tm8	What is the SNTP request interval	Variable (64 to 1024 seconds)
	<additional items>	
		In order to use the SNTP settings defined by the MiCOM IEC61580 IED Configuration tool, the check-box option, " <b>SCL(MCL) configuration overrides local settings</b> ", found under the <b>IEC61850</b> section of the <b>Identity Page</b> of the <b>70 Series Configurator</b> tool must be selected. Otherwise, the SNTP values selected on the <b>SNTP</b> page of the <b>70 Series Configurator</b> tool will take affect.
		The time accuracy of Mx70 IEDs is to fourteen ( <b>14</b> ) significant bits of the <i>FractionOfSecond</i> attribute. This equates to approximately one hundred ( <b>100</b> ) microseconds, meeting the requirements of performance class T2 as defined in Part 5 of the IEC61850 standard.

ID	Description	Value/Clarification
		<p>Mx70 IEDs can be configured with two (2) external time synchronization servers, of which only one (1) is ever the active time synchronization source.</p> <p>If an external source fails to respond to a client synchronization request, or responds with an invalid/unsupported message, the IED will automatically switch to the unused source, if configured.</p>
		<p>If IRIG-B is enabled (via configuration) and a valid signal is being received by the IED, then SNTP server responses will be ignored as IRIG-B is deemed to be the primary source of time synchronization.</p> <p>If IRIG-B becomes unavailable during normal operating conditions, SNTP will become the active time synchronization source until such time that IRIG-B becomes available once again. However, it is recommended that only a single time source type be used.</p>

5.13 File Transfer Model

Table 13: File Transfer Model

ID	Description	Value/Clarification
Ft1	<p>What is structure of the file and directories?</p> <p>Where are the COMTRADE files stored?</p> <p>Are the COMTRADE files zipped and what files are included in each zip file?</p>	<p>Mx70 IEDs use MMS file transfer services for the transfer of disturbance records. The file structure and directory presented to the user is shown in the following tree structure:</p> <pre>Device Root/   COMTRADE/   {IEDNAME.icd}   soelog.txt</pre> <p>Files soelog.txt and the icd file are stored in the device's root directory.</p> <p>Disturbance recorder files are stored in the Comtrade directory (for example: Comtrade/DR1_0001.zip).</p> <p>Y, &lt;Zip includes .cfg and .dat&gt;</p>
Ft2	<p>Directory names are separated from the file name by</p>	<p>Forward slash character, "/"</p> <p>The use of MS-DOS directory separator characters ('\') will return a positive result to the file transfer MMS service requests but with no data elements (directory or filenames).</p>
Ft3	<p>The maximum file name size including path (recommended 64 chars)</p>	<p>256 chars</p>
Ft4	<p>Are directory/file name case sensitive</p>	<p>N</p>
Ft5	<p>Maximum file size</p>	<p>Maximum file size is not defined. Free space varies and depends completely on configuration. The maximum file size is limited by the maximum number of data elements and number of clients. Maximum file size is not restricted over the MMS file transfer interface.</p> <p>(Refer to the section covering the PIXIT for Data Set Model)</p>
Ft6	<p>Is the requested file path included in the MMS fileDirectory respond file name?</p>	<p>Y</p>
Ft7	<p>Is the wild char supported MMS fileDirectory request?</p>	<p>Y, wild card = *</p>
Ft8	<p>Is it allowed that 2 clients get a file at the same time?</p>	<p>Y</p>

<b>ID</b>	<b>Description</b>	<b>Value/Clarification</b>
Ft9	Is the IETF FTP protocol also implemented?	Yes, The File Transfer Protocol (FTP), as defined by the Internet Engineering Task Force (IETF), is supported as well

## 5.14 Transmission of Sampled Values Model (Not supported)

### 5.14.1 Modes of operation (Not supported)

Mx70 IEDs do not support transmission of sampled value services using any modes of operation (multicast or unicast). As such there are no Multicast Sample Value Control Blocks (MSVCB) or Unicast Sample Value Control Blocks (USVCB) exposed within the data model.

## 5.15 Sub-station Configuration Language

### 5.15.1 Conformance level

Mx70 IEDs are conformant to **SCL.1** as defined by part 8 of the IEC61850 standards; annex D. ICD template files are available within the MiCOM S1 IEC61850 IED Configurator application.

### 5.15.2 Private data

The Mx70 ICD files contain private SCL data. This is required by the IED Configurator tool in order to correctly extract, process, and configure a device.

Any tool that imports Mx70 ICD files is required to preserve the private data in accordance with part 6 of the IEC61850 standards.

### 5.15.3 IED Name

The Substation Configuration Language (SCL) allows customizable IED names. Mx70 IEDs support user-definable IED names. It is recommended, however, that these names be restricted to a maximum of **eight** (8) characters in length. Otherwise, long IED names may cause network problems due to maximum PDU size.

## 5.16 IED Configuration

### 5.16.1 Configuration

The Mx70 IEDs do not support on-line setting changes of elements over the IEC61850 interface.

Configuration of Mx70 IEDs is achieved through the use of the following software tools:

- Bitronics 70 Series Configurator software
- Alstom's MiCOM S1 IEC61850 IED Configurator software package

### 5.16.2 Configuration banks

Mx70 devices support two (2) configuration banks for holding IED configurations taken from SCD or CID Substation Configuration Language (SCL) files. This includes IP configuration, SNTP, GOOSE publishing/subscription parameters etc.

The IED Configurator tool only allows a configuration to be downloaded to the inactive bank. The IED Configurator will prompt the user if he/she desires to make the configuration active.

Revision	Date	Changes	By
A	01/30/2009	Update Bitronics Name, Logo	E. DeMicco
B	05/01/09	Updated logos and cover page	MarCom
C	9/22/09	Updated firmware history	E. DeMicco
D	9/30/10	Corrected information on Fault Location Logical Node in section 3.4.16	E. DeMicco
E	12/5/11	Corrections to number of URCBs and BRCBs and BRCBs conformance in tables A.2 and A.3	E. DeMicco
F	2/15/12	Time Sync Model – corrected time sync accuracy to show class T2 - 14 bits (100 microseconds). Report Model – corrected trigger condition - quality change to N (not supported) and clarified supported optional field (OptFlds) bits in PIXIT. Updated TICS for TISSUE 545. Removed LD/ directories list in Table 13, File Transfer Model. Changed references of Areva to Alstom and Alstom Grid.	G. Nelson
G	3/14/12	Change some items associated with Controls in PIXIT. Change loss of link detection in PIXIT to 60 seconds. Change startup time in PIXIT to 75 seconds. Added section in PIXIT making mention of non-IEC61850 domains. Change references to Systems Domain to System (without the 's') Domain.	G. Nelson
G2	3/19/12	Added entry to firmware table for v3.07.7, Added entry in the File Transfer Model (table 13) showing 2 clients is Not Supported	G. Nelson
H	3/16/12	Remove statement of support for Buffered Reports and Controls. (these changes are temporary and are applied to revision H only)	G. Nelson
I	11/30/12	Show support for DeleteFile in File Transfer PICS, show support for 2 clients getting the same file, clarify PIXIT entry for Reporting model regarding second internal analogue (FC=MX) data change, changed enumeration for INS_2 from 'PhyHealth' to 'Health', added enumeration type 'OpMod' for ING_1, added enumeration definition for OpMod, corrected attribute name spelling for both ING_0 and ING_1 from stVal to setVal, changed section on non-IEC61850 MMS domains to mention only LD0, added note regarding BCR.actVal size (INT128 in SCL and INT64 on MMS), fixed ordering of numCyc in definition for HWYE_0 and HDEL_0, update tissue 322, remove note at end of tissue 349 about Mx70 not supporting BRCB (which was incorrect), corrected explanation names for GGIO_9. Show support for new M878 Network I/O IED variant.	G. Nelson
J	4/25/13	Deadband support	G. Nelson
K	4/4/14	Updated PIXIT section using new template extracted from Server Test Procedures version 2.3 and updated according to TCPL version 1.7. Fixed incorrect comment for section 3.6.3 Component: Originator_0, fixed PIXIT Rp2 to show <i>Segmentation</i> bit in OptFlds is supported, Various formatting fixes.	G. Nelson
L	6/3/14	Updated PIXIT section Go10 removing values as these were incorrect	E. DeMicco

M	6/23/14	Change BCR.actVal/frVal type to now be INT32 (according to tissue #1199). Added Ed1 mandatory objects Amp and Vol to LNs TCTR and TVTR, respectively. Change SPC SBO bType from VisString64 to VisString65.	G. Nelson
N	7/28/14	Add firmware version description entry for ver 4.08.2. Changed PICS S38 & S39, GetGoCBValues and SetGoCBValues, as supported for Server (Publisher). Added missing "TP" to PICS S51. Changed PICS S52 SelectWithValue as NOT supported. In TICS, added tissues 275 and 453. In PIXIT, change Go1 entry to show test and ndsCom are supported, change Go4 to "other", and Go5 to "no action taken".	G. Nelson
O	12/19/14	Add firmware version description entries for ver 4.08.3 and 4.08.4. Delete sentence in section 1.3.1 paragraph 2 that no longer applies. Change ctlModel in SPC_3 to be ctModelMx70. Add new enumeration type ctModelMx70. Remove "X" for attrib PhV on definition MMXU_11. Remove "X" for attrib Z on definition for MMXU_10. Added "X" for attrib FullSt for definition RDRE_0. Change value/clarification on Ct14. Corrected name of enumeration for attrib orCat in Originator_0 definition from "orCategory" to "orCat". For As5, change all value/clarifications from Transport, Session & Presentation selectors from Y to N. For As6, change all value/clarifications for Transport, Session & Presentation selector to N/A. MICS Tables 1 through 7, fixed LN Instance name "LPHD1" (missing the instance digit '1'). Also, fixed misspelling of LN Type name "LPHD_0" for all Records LD. Fix various spelling errors.	G. Nelson
P	2/3/15	For EnumType id="SIUnit" fixed string for ord=1 to (empty), fixed string for ord=30 to be "ohm", and fixed string for ord=38 to be "Watts". Changed Configurator and Utilities CD version numbers to 4.08 (for firmware release 4.08.4).	G. Nelson
Q	6/8/16	<p>Added "N/A" to Go10 Value/Clarification, remove extraneous "X" for mag for MV_0, MV_0_DB and MV_1. Correct description for sboClass (changed Set to Select). Fixed several spelling errors.</p> <p>Mark SIUnit enum value 62 (W) as deprecated. Renamed EnumType "ctlModelMx70" to "ctlModel_noES". Created new EnumType definitions, "ctlModel_statusOnly" and "ctlModel_directNS". Changed enum type for INC_0.ctlModel to "ctlModel_statusOnly". Changed enum type for SPC_0.ctlModel and SPC_1.ctlModel to "ctlModel_directNS". Changed EnumType "Mod" to "Mod_onOnly" and removed all EnumVals except ord=1 (on)..</p> <p>Added Data Objects DPCSOx to GGIO Logical Nodes that support digital input pairs (GGIO_0, GGIO_1, GGIO_2, GGIO_3, GGIO_4, GGIO_5). Added new LNodeType "GGIO_10" to model the P33 module. Added new LNodeType "GGIO_11" to model the P33/P40 module. Added new CDC DPC_STATUS. Added new enumerated type Dbpos. Added space character between use of "IEC" and "61850" strings. Added entries in Table 8: LN Type definitions for new logical nodes, GGIO_10 and GGIO_11.</p>	G. Nelson







Bitronics, LLC, 261 Brodhead Road, Bethlehem, PA. 18017  
+1.610.997.5100 Fax +1.610.997.5450  
[www.novatechweb.com/bitronics](http://www.novatechweb.com/bitronics)