

Legacy RTU Retrofit Solutions

Using the Orion Automation Platform and Orion I/O

February 2021 Update

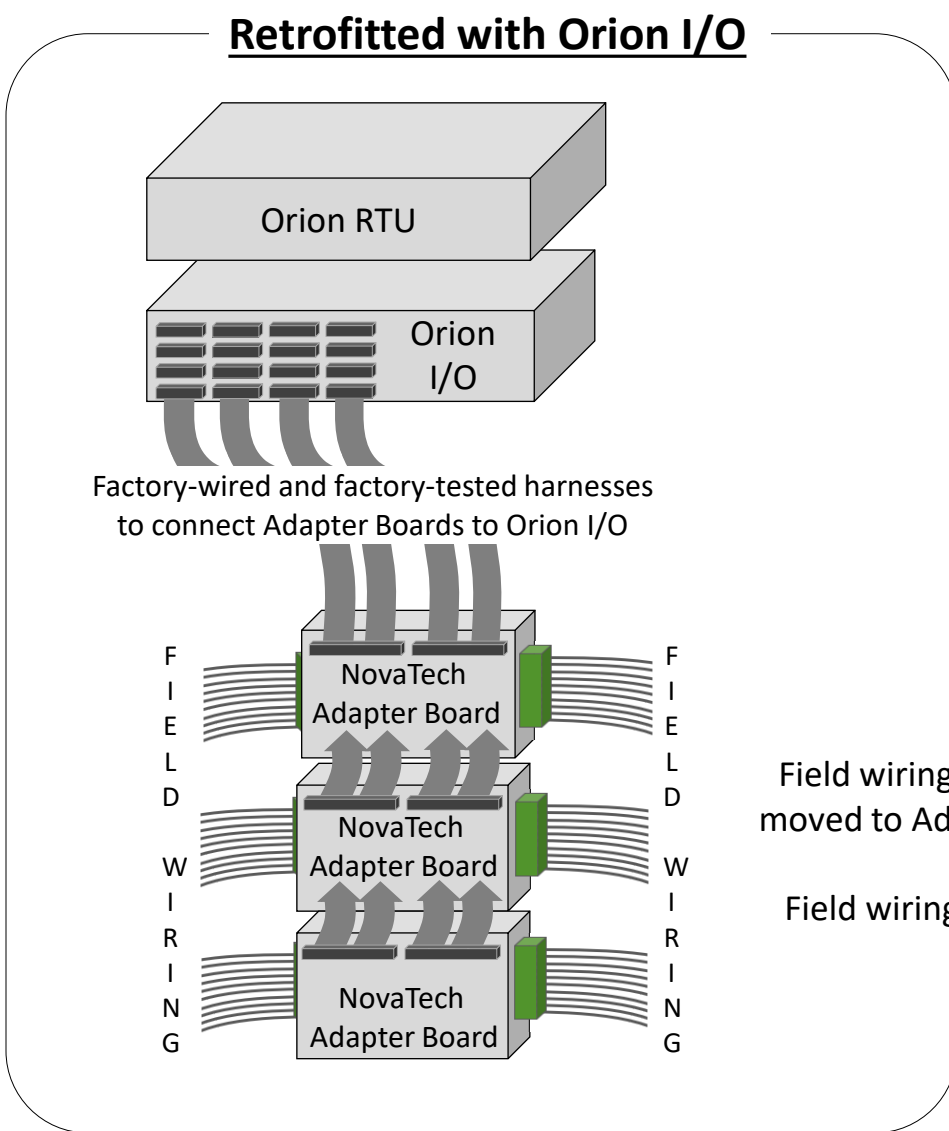
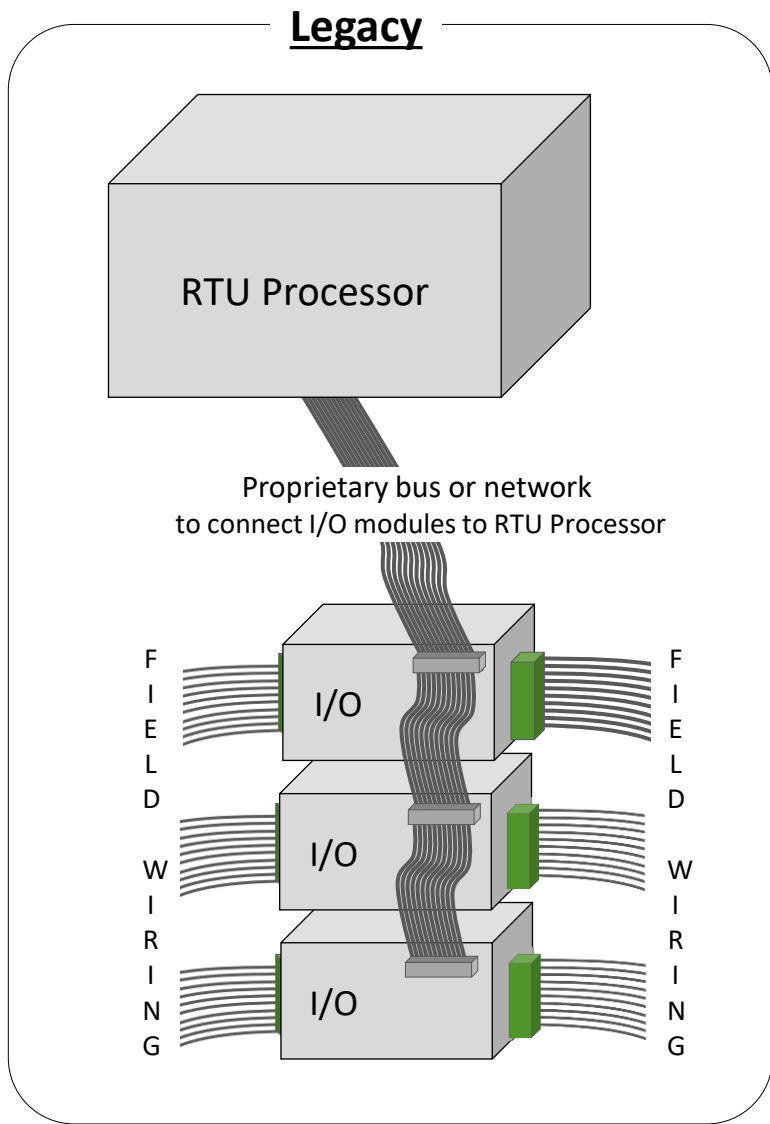


The material in this presentation is NovaTech proprietary and Confidential. It should not be copied or disseminated without the written permission of a NovaTech manager, director or VP.

[Return to Contents](#)

- [Legacy Retrofit Concept](#)
- [Telvent Retrofits](#)
- [Siemen Telegyr TG5300/TG5700 Retrofits](#)
- [Systems Northwest \(SNW\) Retrofits](#)
- [ACS Retrofits](#)
- [D20/D200 Retrofits](#)

Legacy RTU Retrofit Concept Using Adapter Boards



Telvent Retrofits



The material in this presentation is NovaTech proprietary and Confidential. It should not be copied or disseminated without the written permission of a NovaTech manager, director or VP.

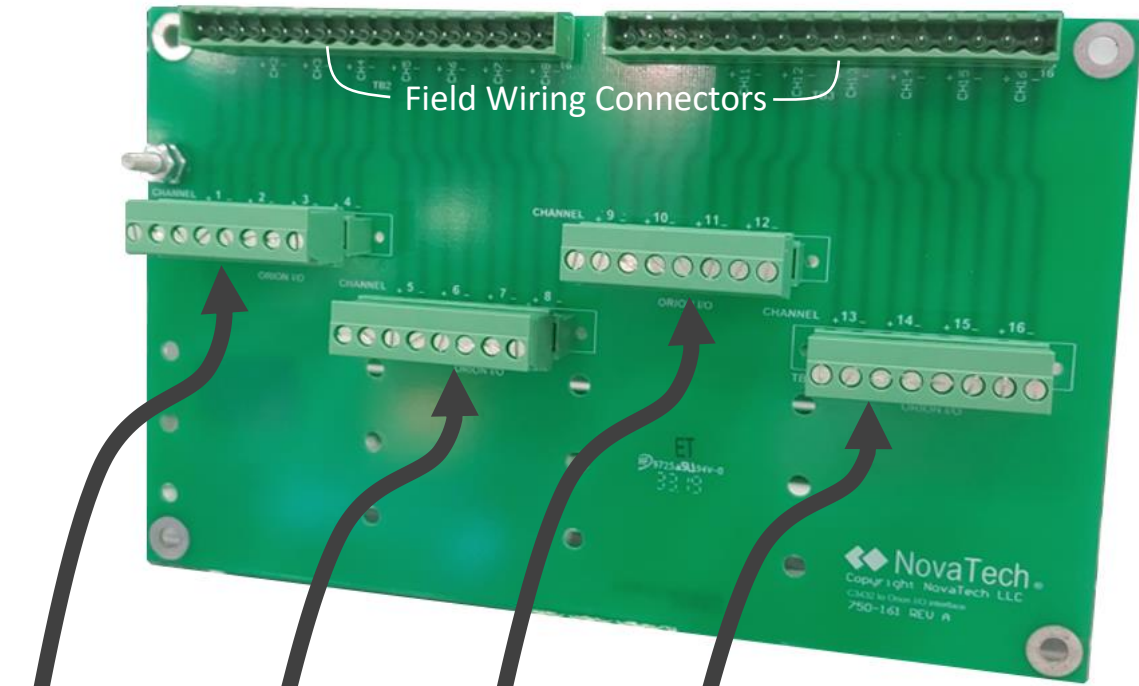
[Return to Contents](#)

Telvent Retrofit: C3232 Discrete Input Card

Legacy Telvent Input Card



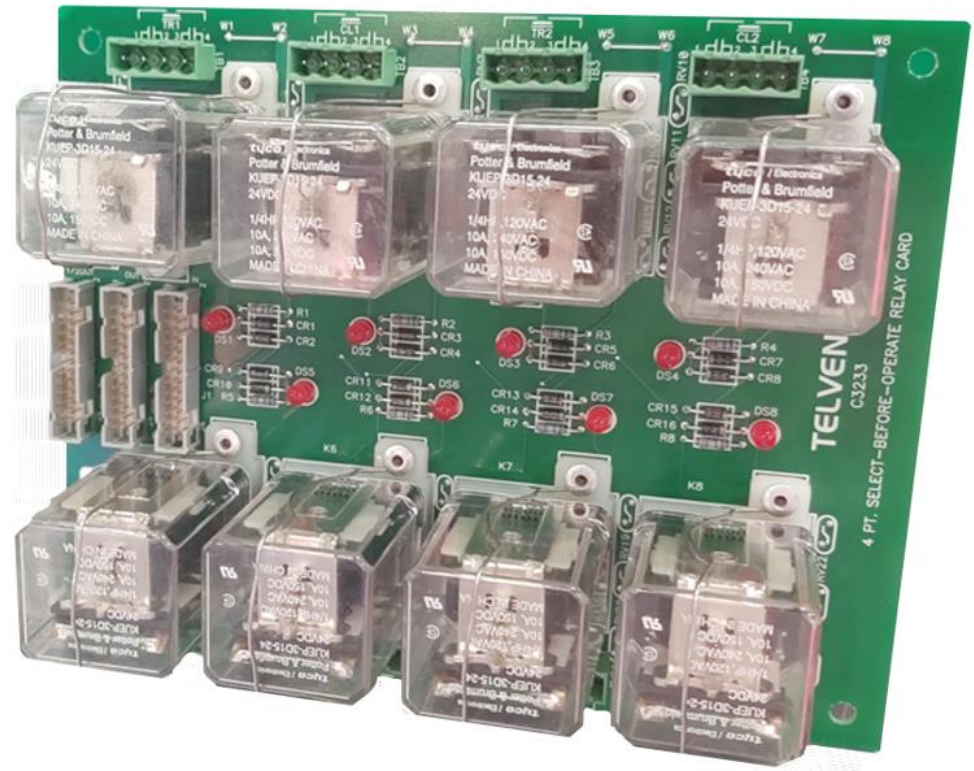
NovaTech Adapter Board



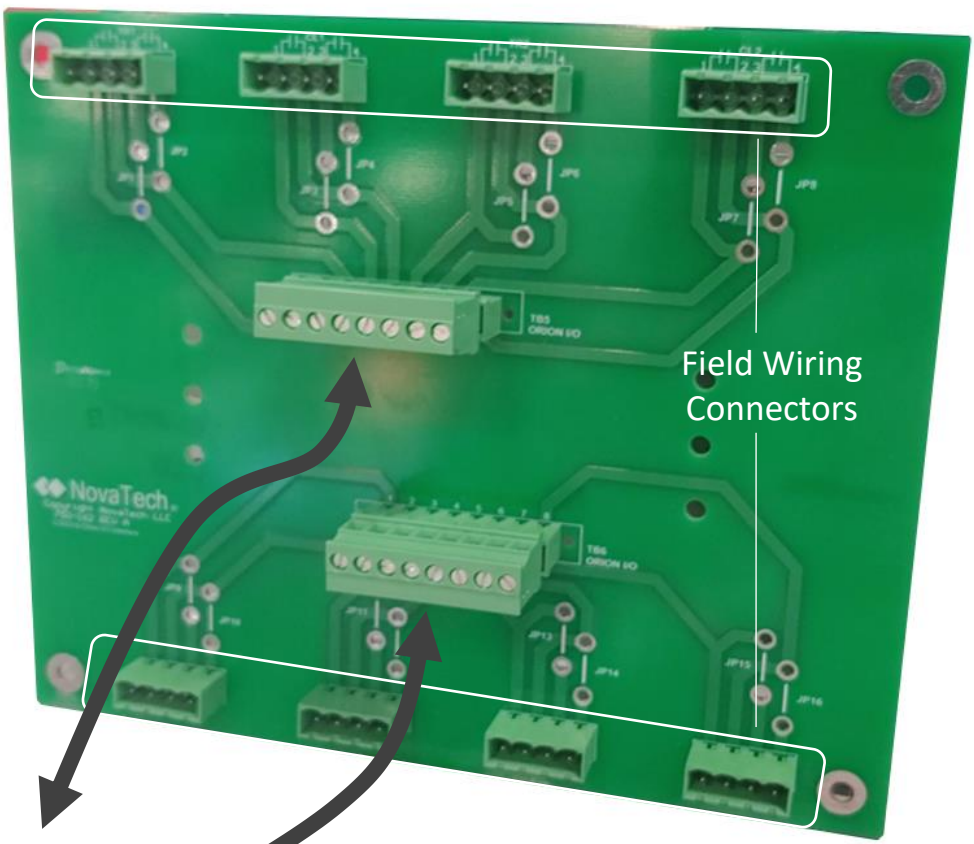
Wire harnesses to Orion I/O Input Card

Telvent Retrofit: C3233 Output Card

Legacy Telvent Output Card



NovaTech Adapter Board

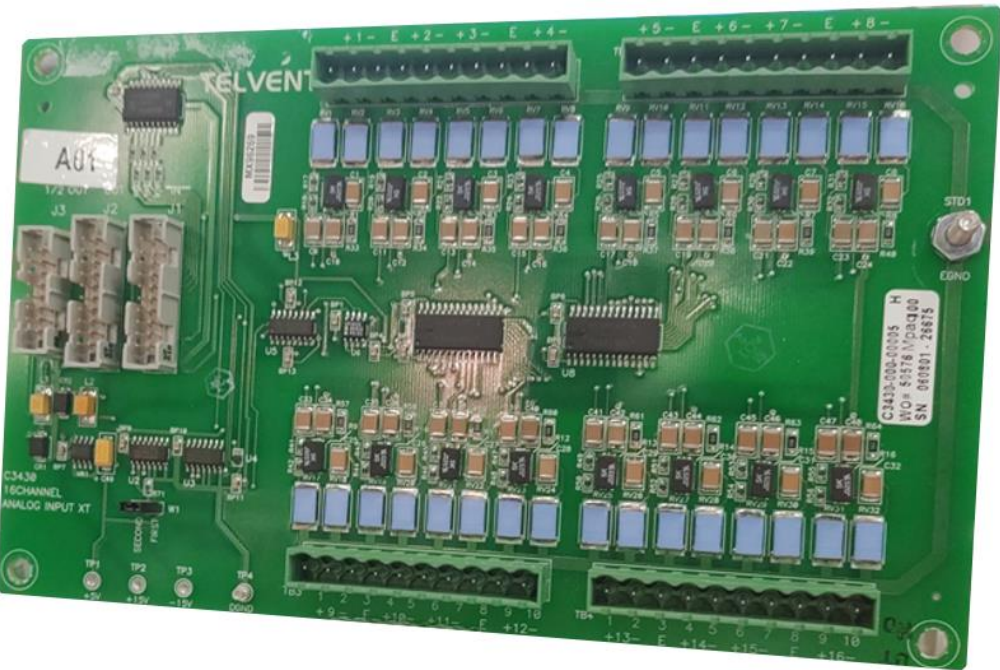


Field Wiring Connectors

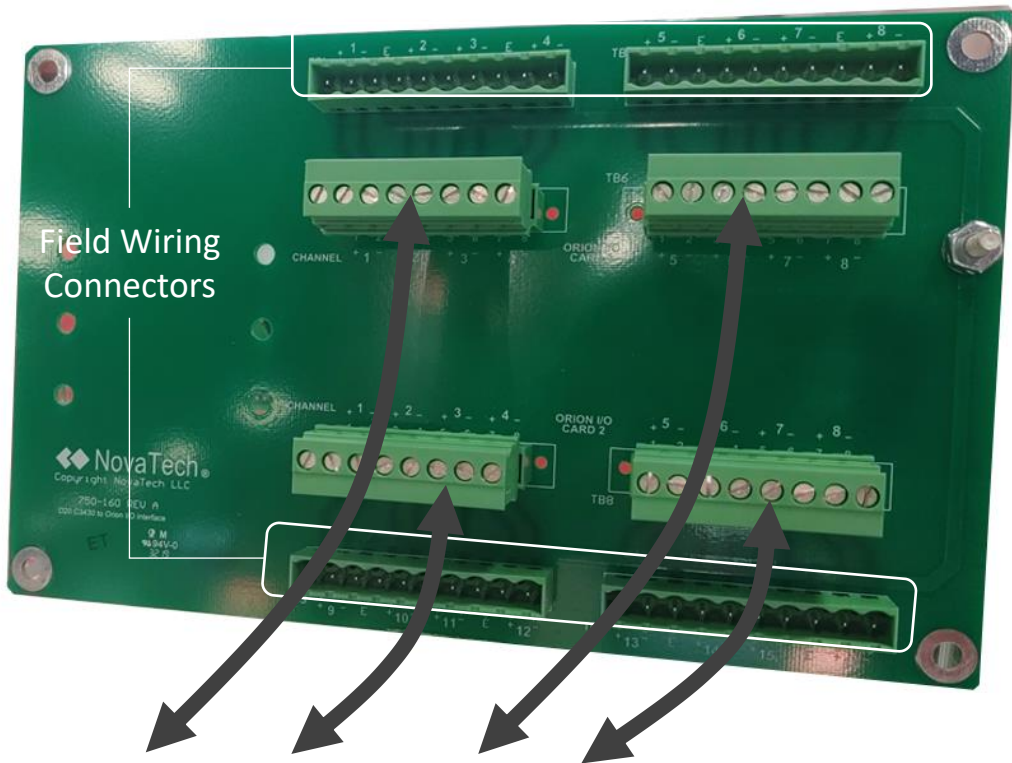
Wire harnesses to Orion I/O High Power Output Card (HPO)

Telvent Retrofit: C3430 Analog Input Card

Legacy Telvent Analog Input Card



NovaTech Adapter Board



Wire harnesses to Orion I/O Analog Input Card

Siemens Telegyr TG5300/TG5700 Retrofits (Landis & Gyr)

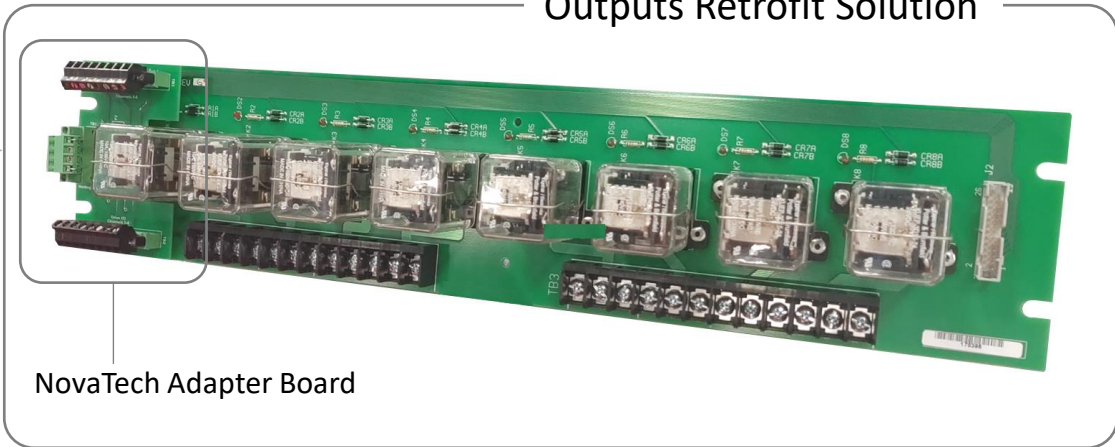


The material in this presentation is NovaTech proprietary and Confidential. It should not be copied or disseminated without the written permission of a NovaTech manager, director or VP.

[Return to Contents](#)

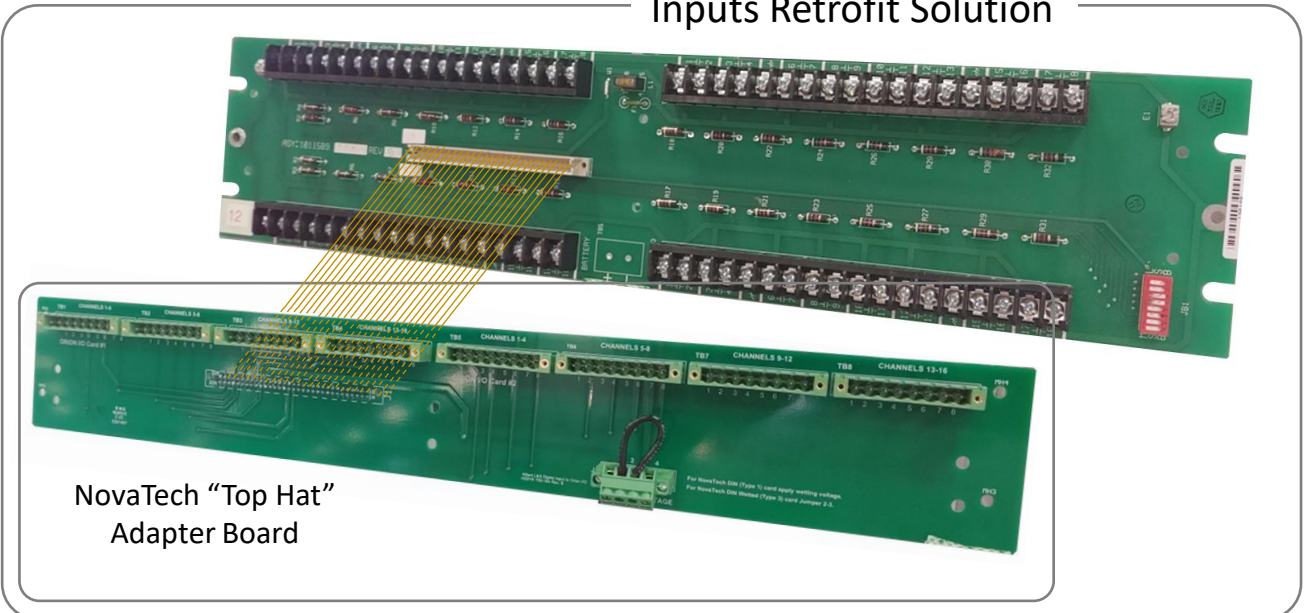
NovaTech Retrofit Solution for Siemens Telegyr TG5700

Outputs Retrofit Solution



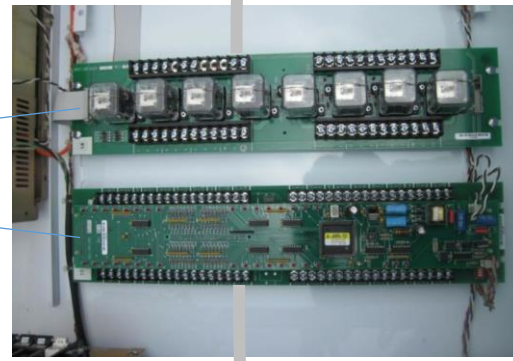
NovaTech Adapter Board

Inputs Retrofit Solution

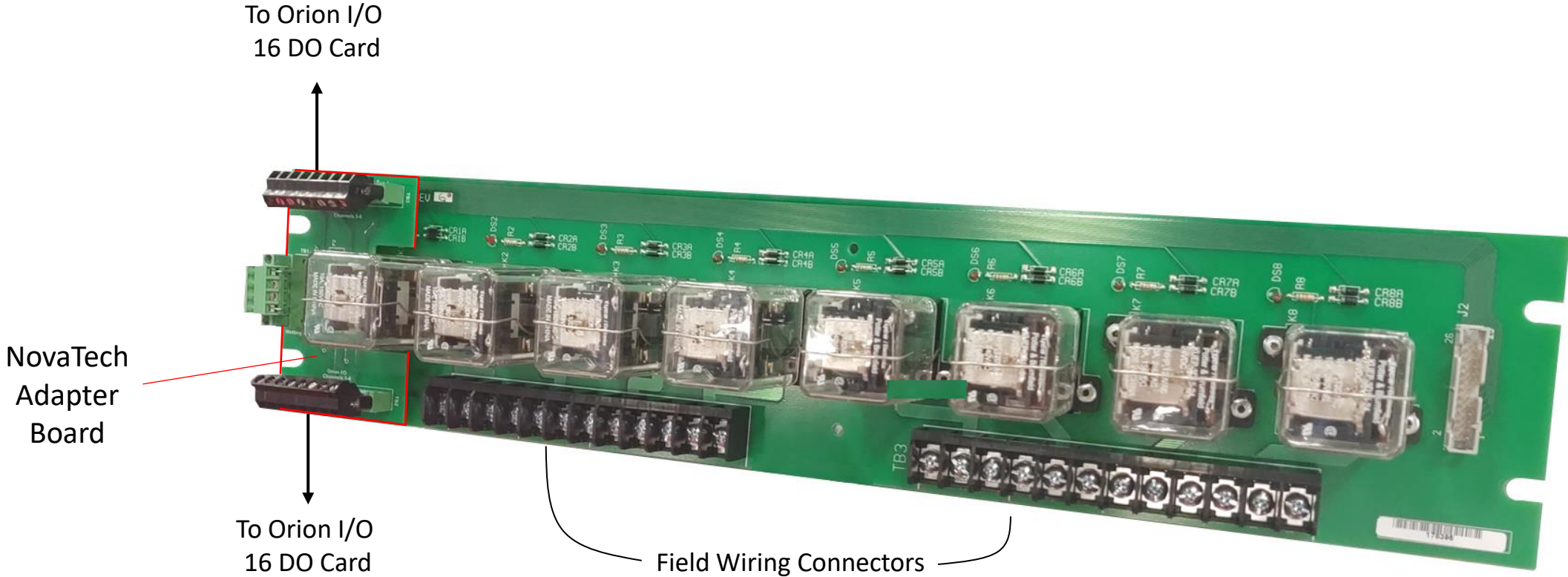


NovaTech "Top Hat" Adapter Board

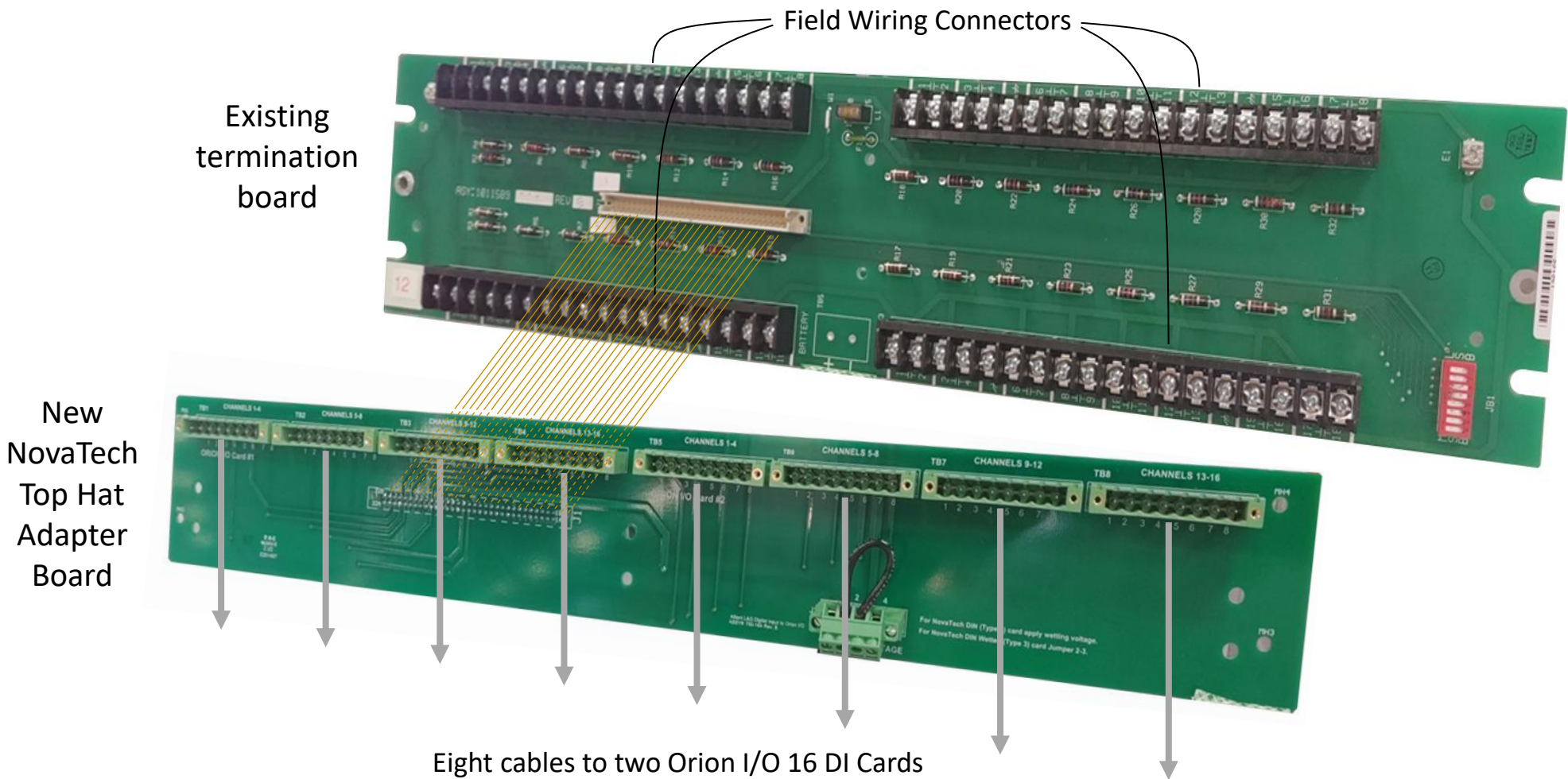
Telegyr 5700 Output Module and Input Module installed in substation panel



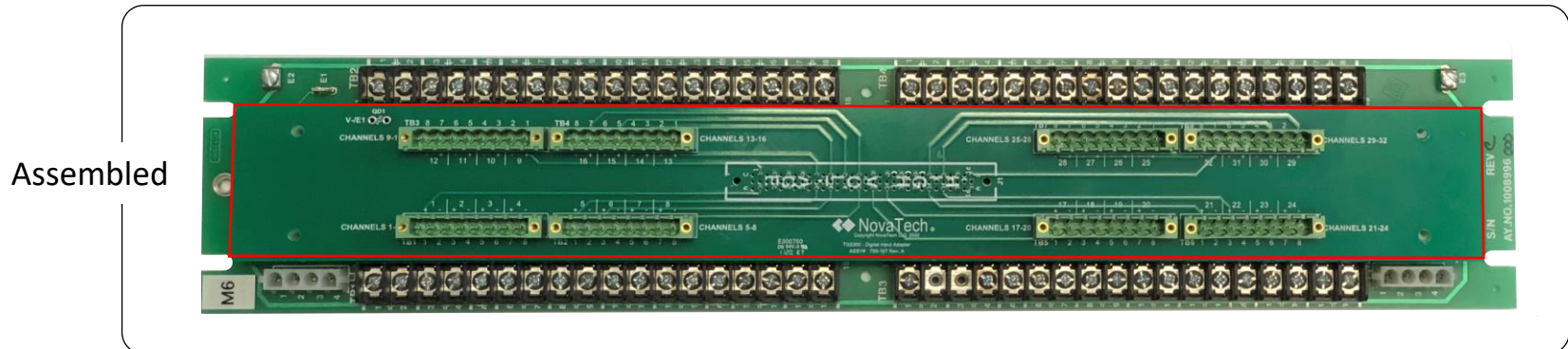
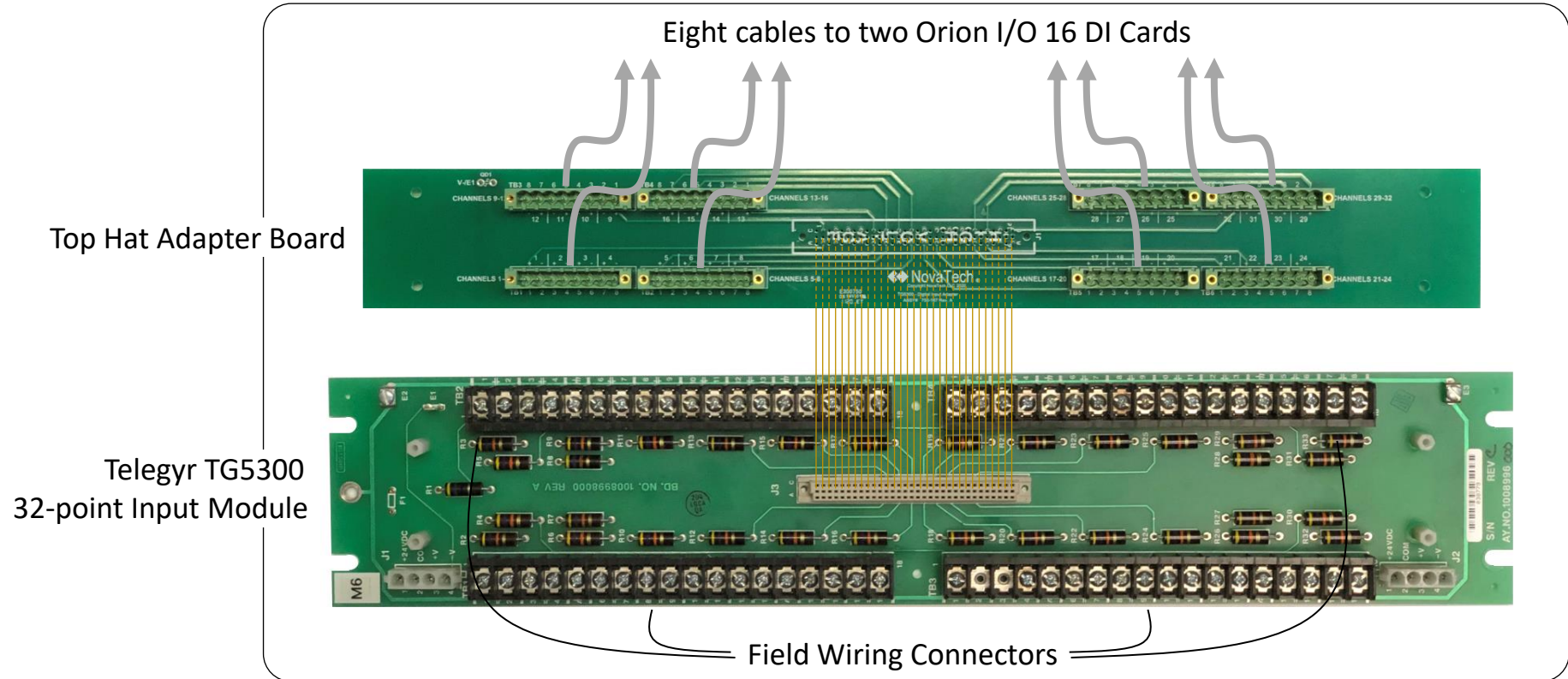
NovaTech Adapter Board for Telegyr TG5700 8-point Output Module



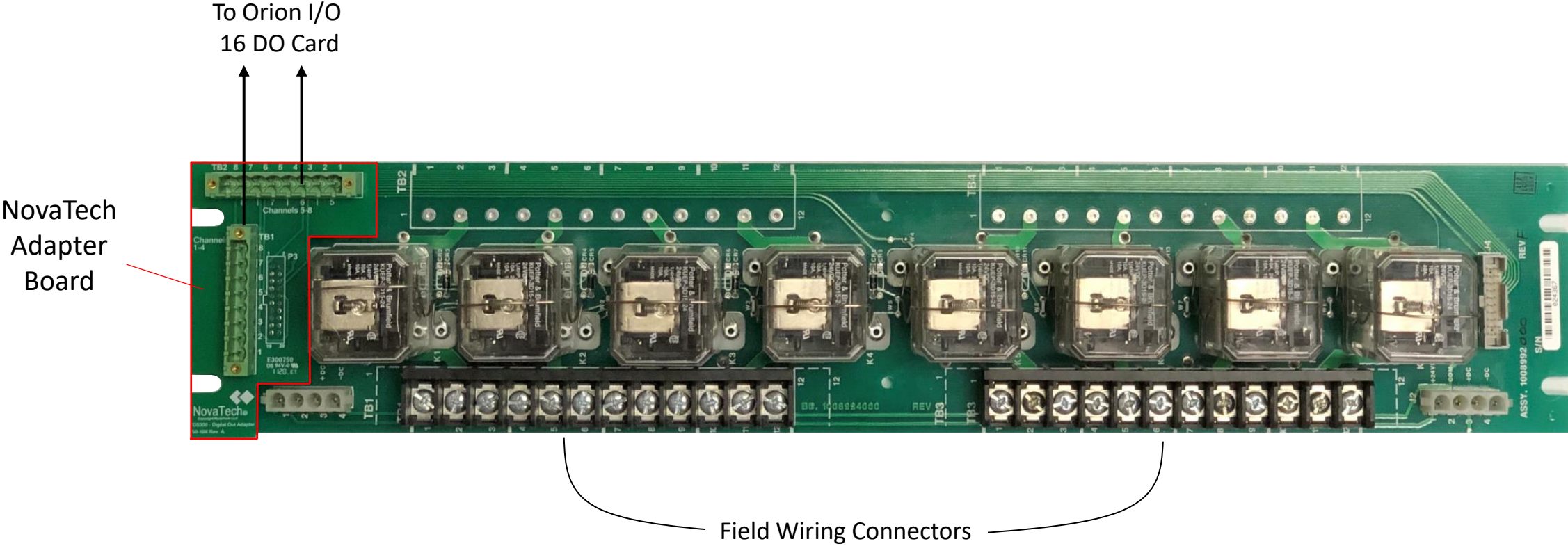
NovaTech "Top Hat" Adapter Board for Telegyr TG5700 32-point Input Module



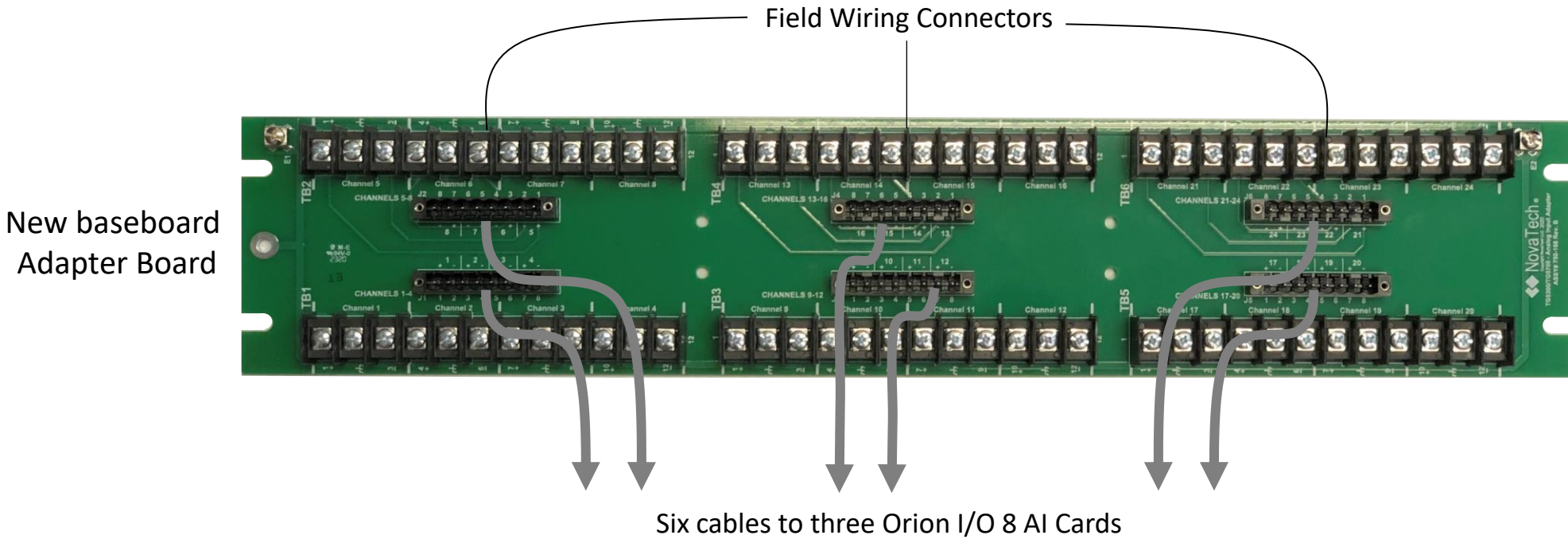
NovaTech "Top Hat" Adapter Board for Telegyr TG5300 32-point Input Module



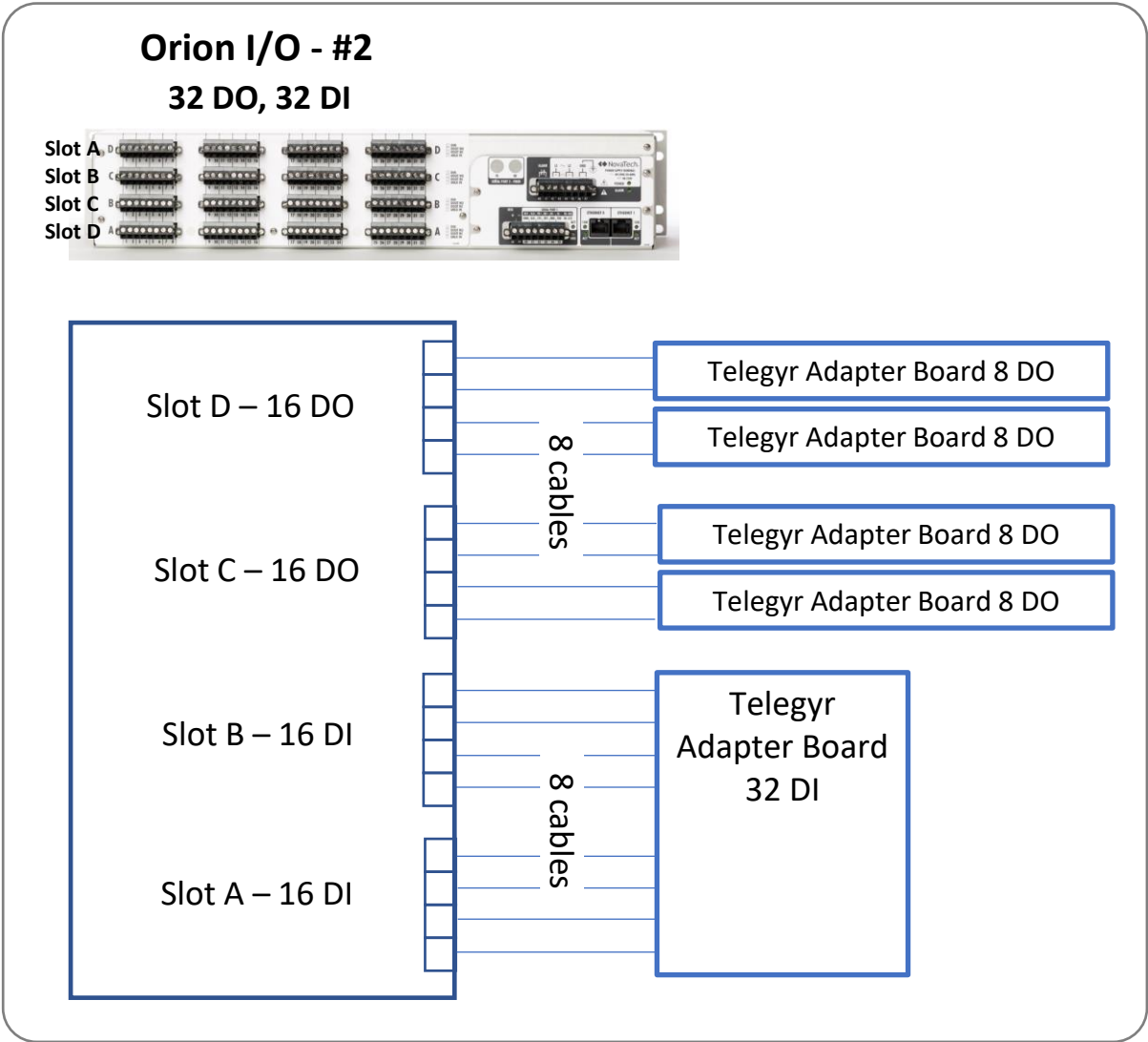
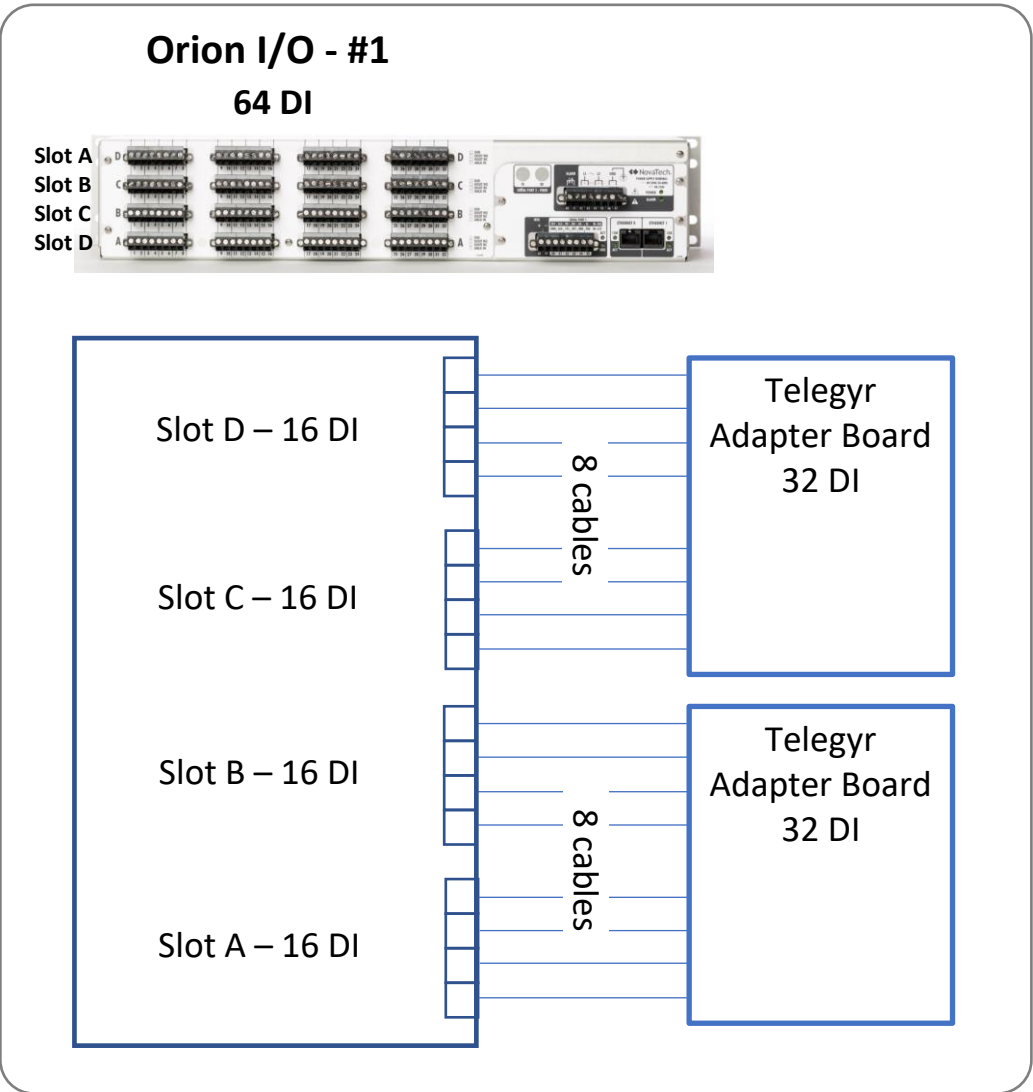
NovaTech Adapter Board for Telegyr TG5300 8-point Output Module



For Telegyr TG5300/TG5700 24-point Analog Input Module



Example Telegyr 5700 Configurations: 96 DI, 32 DO





Systems Northwest (SNW) Retrofits

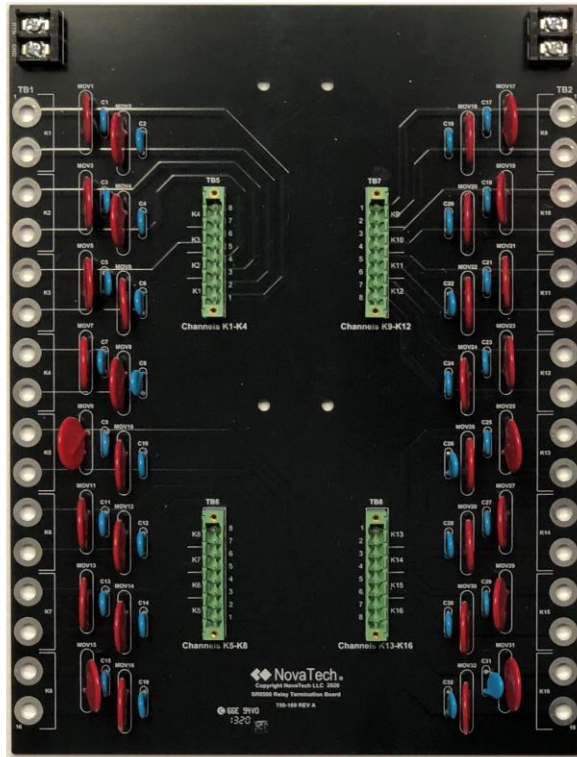
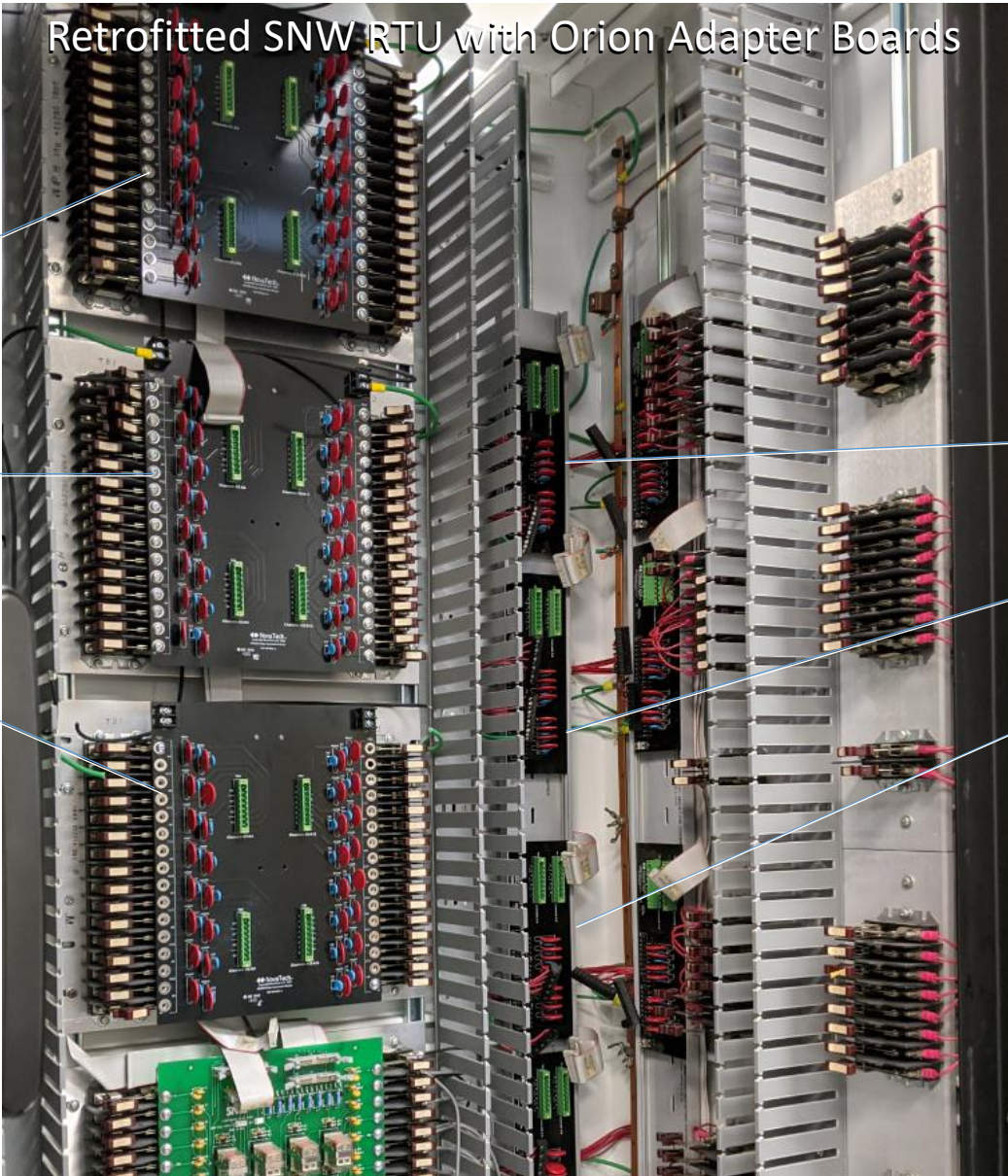


The material in this presentation is NovaTech proprietary and Confidential. It should not be copied or disseminated without the written permission of a NovaTech manager, director or VP.

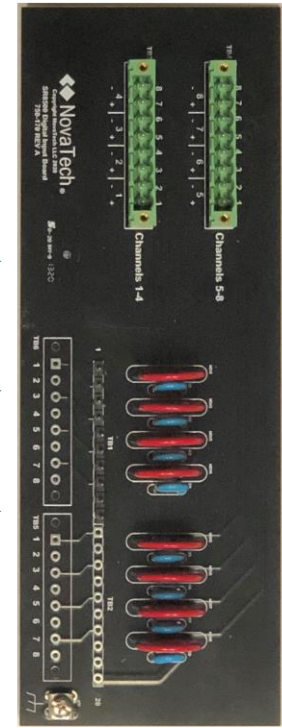
[Return to Contents](#)

Systems Northwest Retrofit (SNW) Solution

Retrofitted SNW RTU with Orion Adapter Boards



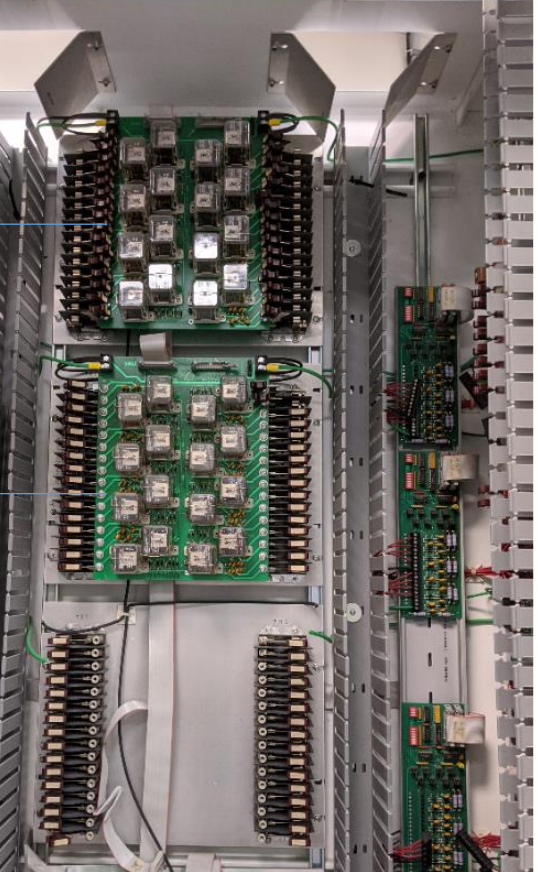
Output Adapter Board



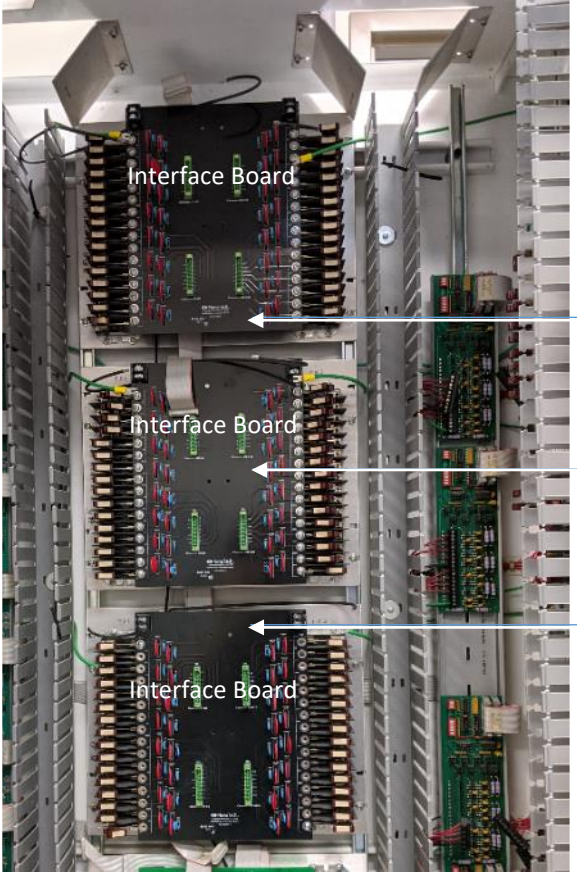
Input Adapter Board

NovaTech SNW Adapter Board to Replace Interposing Relays

Legacy

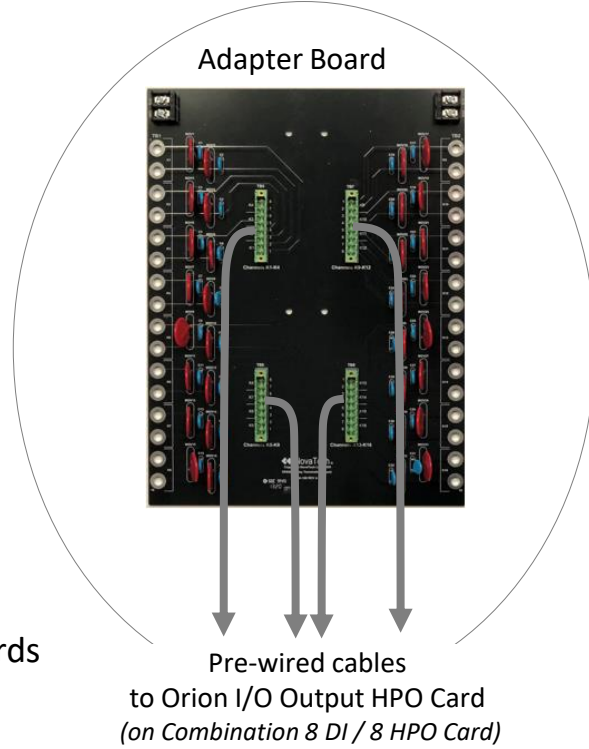


Retrofitted

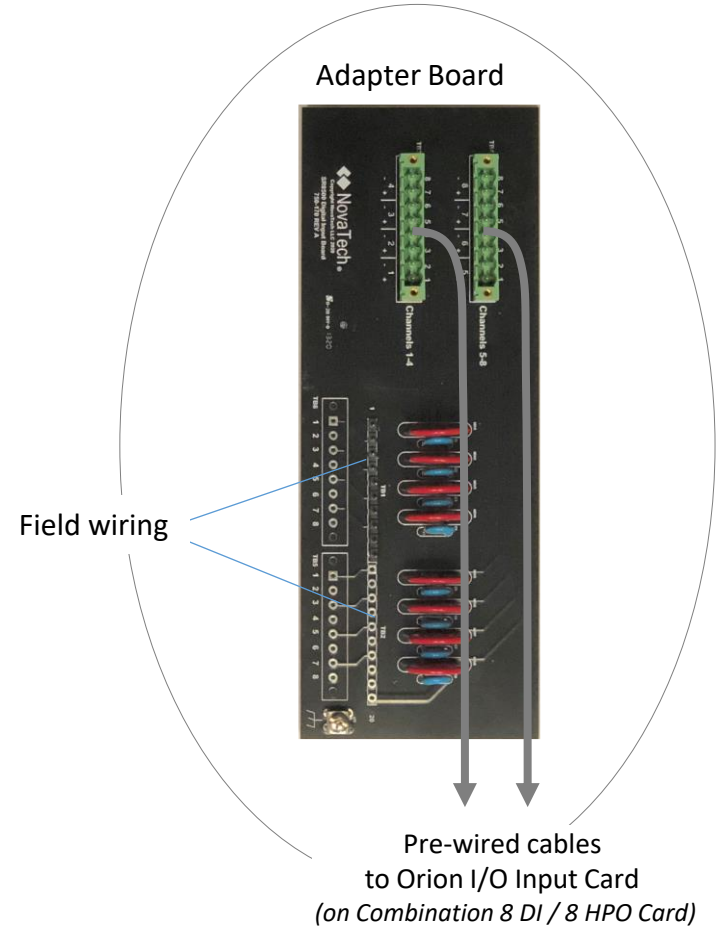
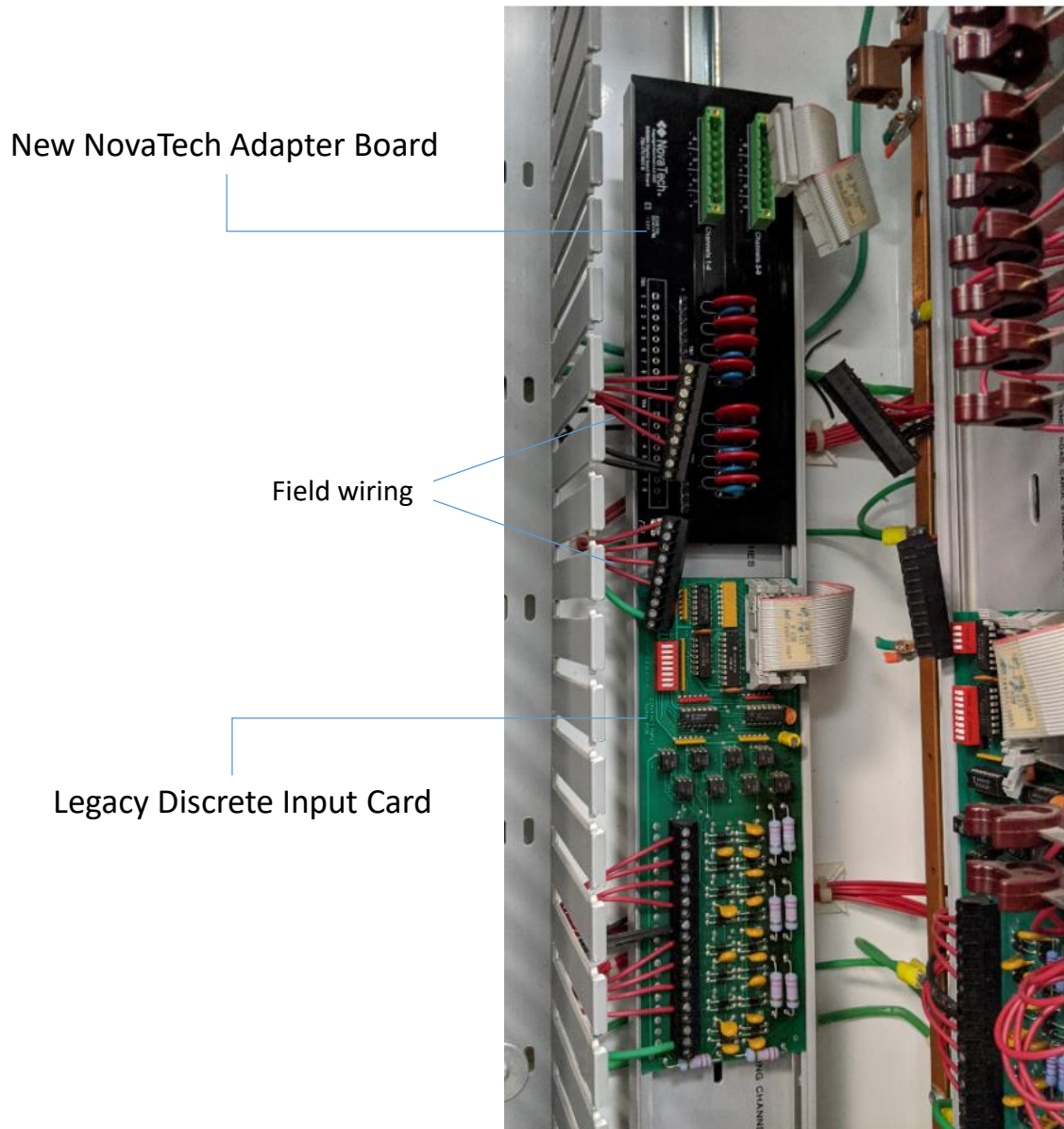


New NovaTech Adapter Boards screwed into place.

- Field wiring (behind card) remains untouched
- Isolation knife switches remain
- Orion HPO (High Power Output) replaces interposing output relays



NovaTech SNW Adapter Board to Replace Discrete Input Cards



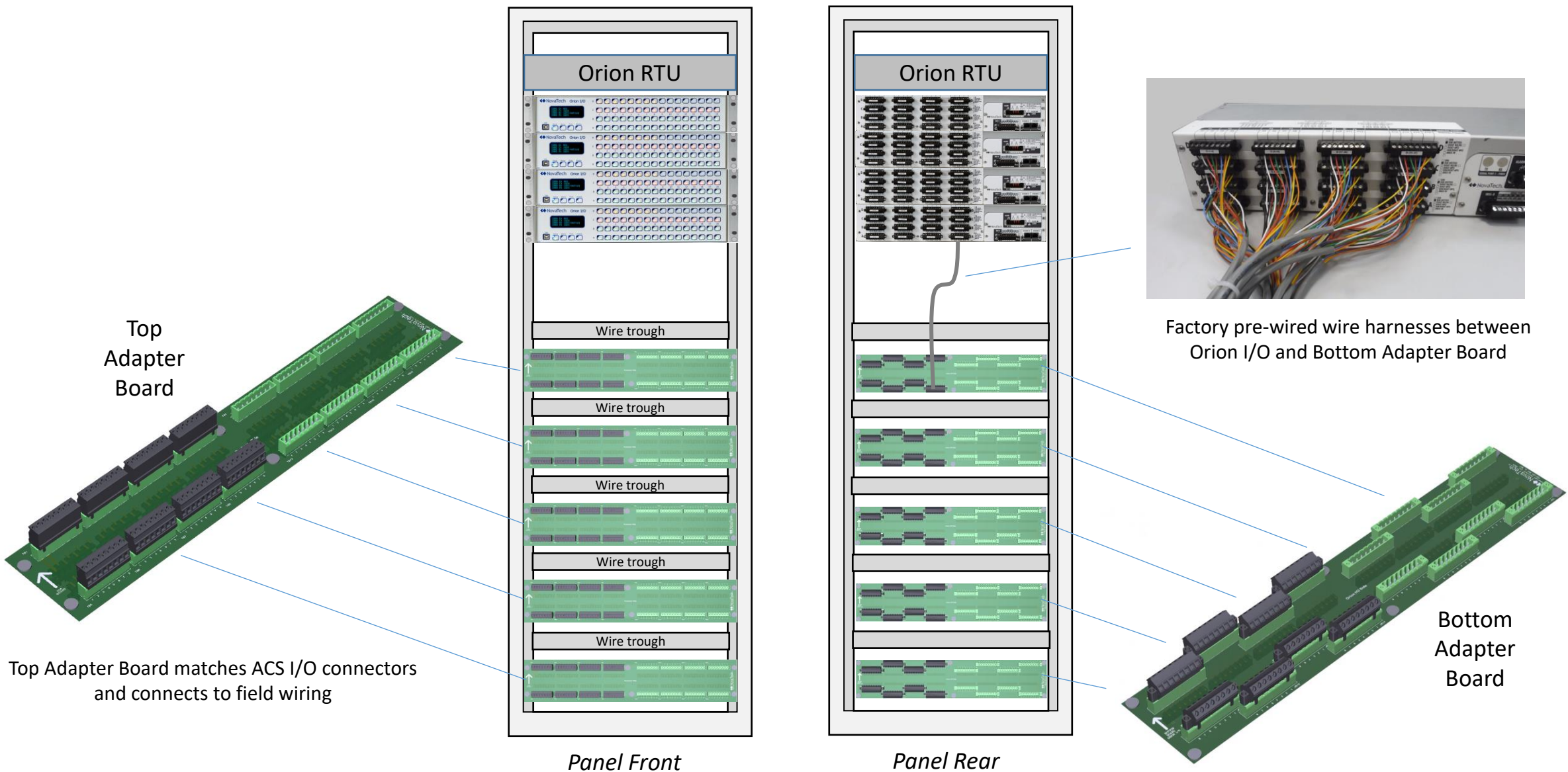
ACS Retrofits

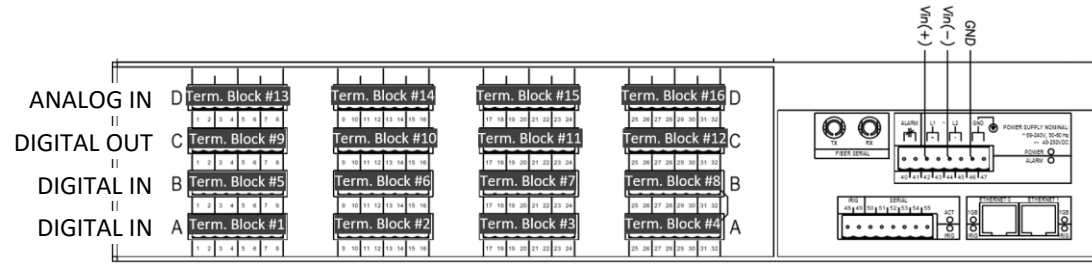
The material in this presentation is NovaTech proprietary and Confidential. It should not be copied or disseminated without the written permission of a NovaTech manager, director or VP.



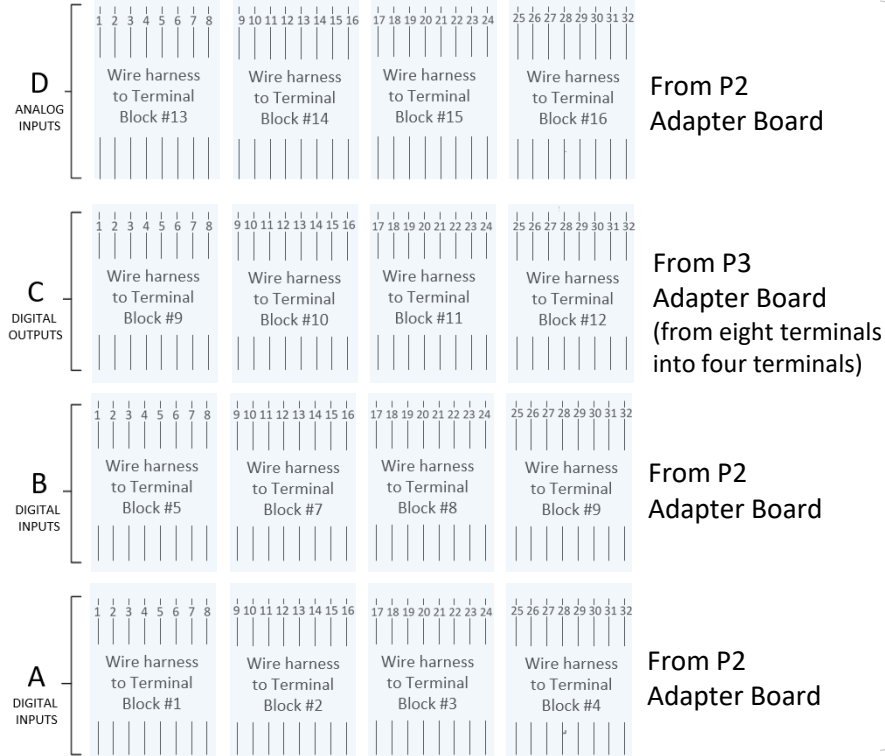
[Return to Contents](#)

Panel Concept with Adapter Boards for ACS 7530 Retrofit

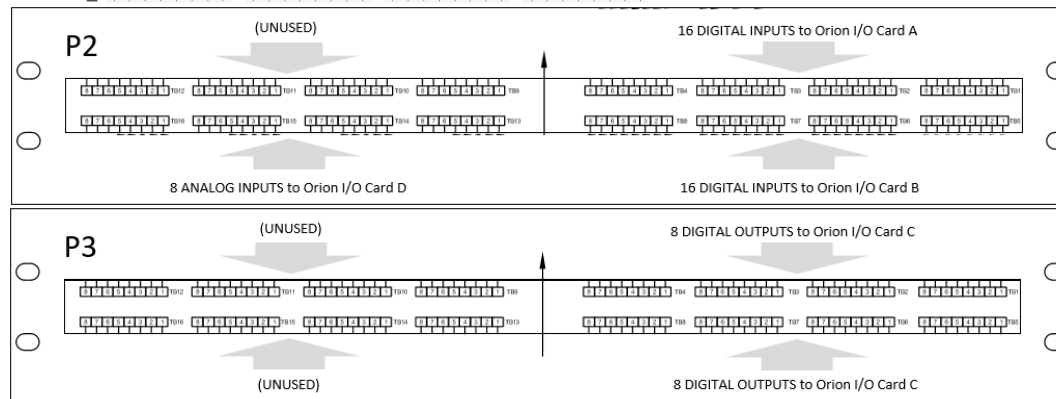




Orion I/O



Pre-wired harnesses from Adapter Boards to Orion I/O



Adapter Boards

D20/D200 Retrofits

The material in this presentation is NovaTech proprietary and Confidential. It should not be copied or disseminated without the written permission of a NovaTech manager, director or VP.



[Return to Contents](#)

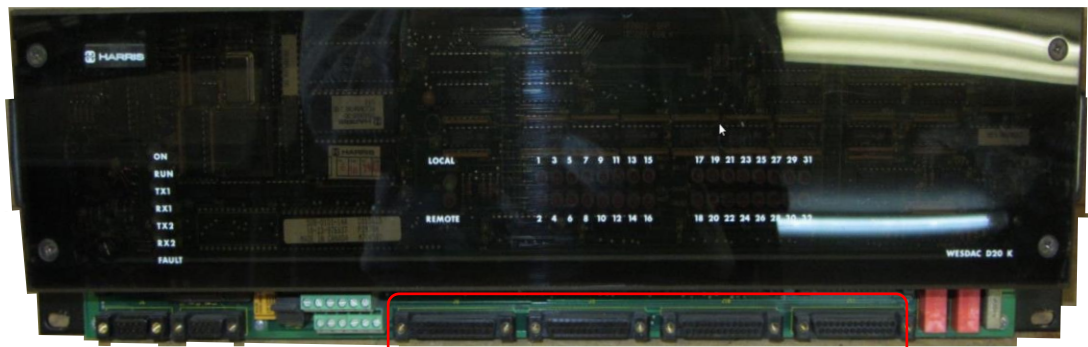
- Uses the high-density Orion I/O modules factory wired with D20-Style connectors
- Available for:
 - D20A 32 AI
 - D20S 64 DI
 - D20K 32 DO TRIP/CLOSE
 - D20C Combination: 16 DI, 16 DO (8 TRIP/CLOSE) and 16 AI
- The Orion I/O retrofit solution uses the same 3RU panel space as the D20 modules.
- For both 19" rack mount applications and surface mount applications.



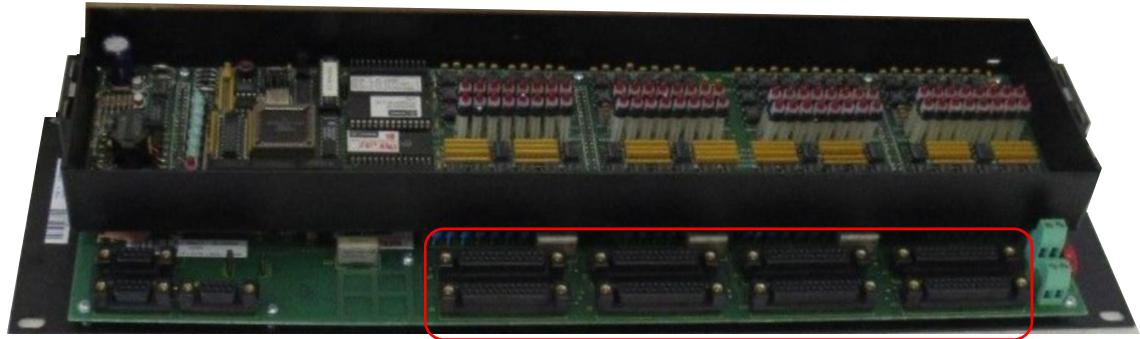
Example: D20 Modules with DB25 Connectors



D20AD 32 AI
with (4) DB25F connectors



D20KR 32 DO
with (4) DB25F connectors

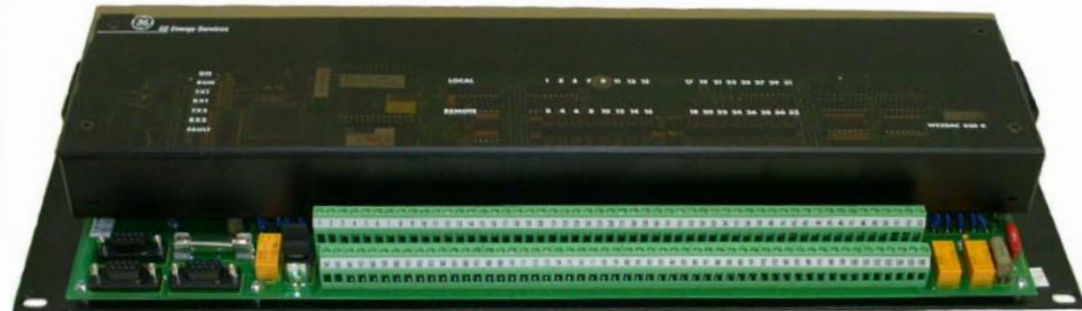


D20SD 64 DI
with (8) DB25F connectors

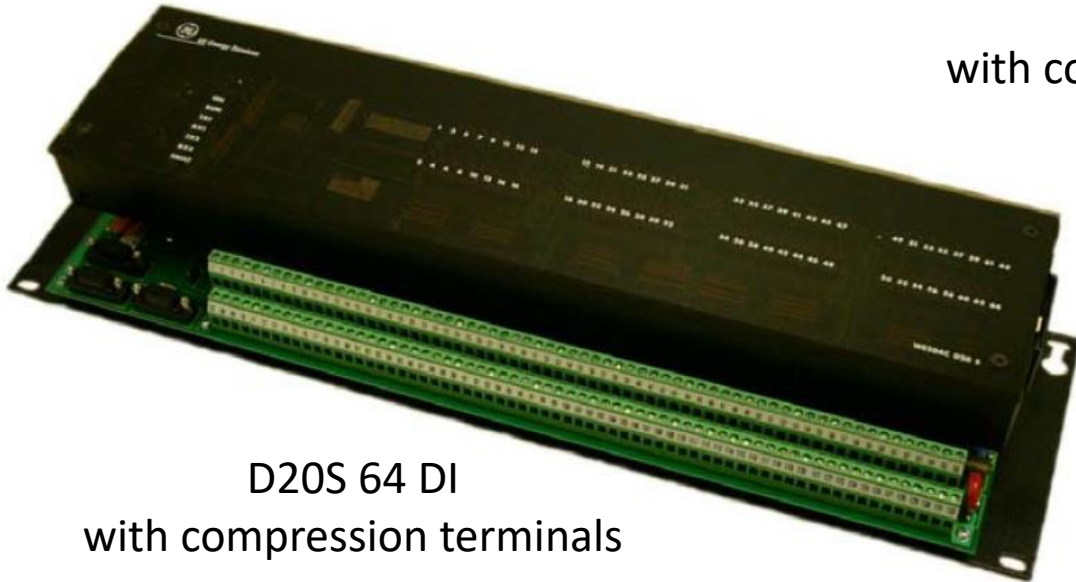
Example: D20 Modules with Compression Terminals (removable or non-removable)



D20A 32 AI
with compression terminals



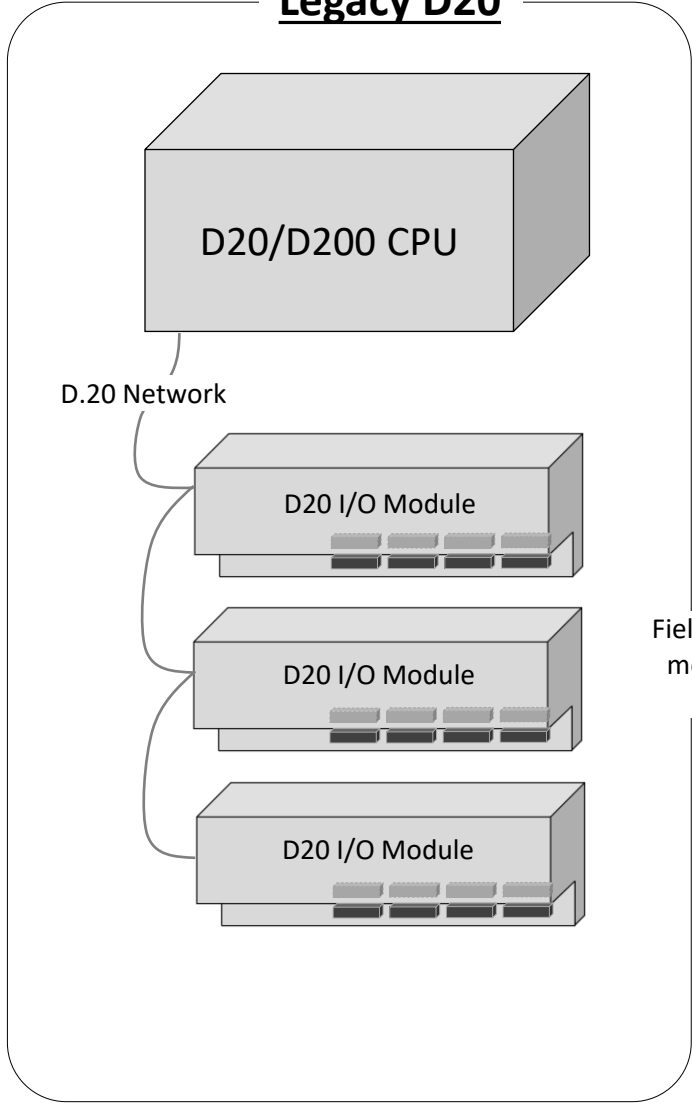
D20K 32 DO
with compression terminals



D20S 64 DI
with compression terminals

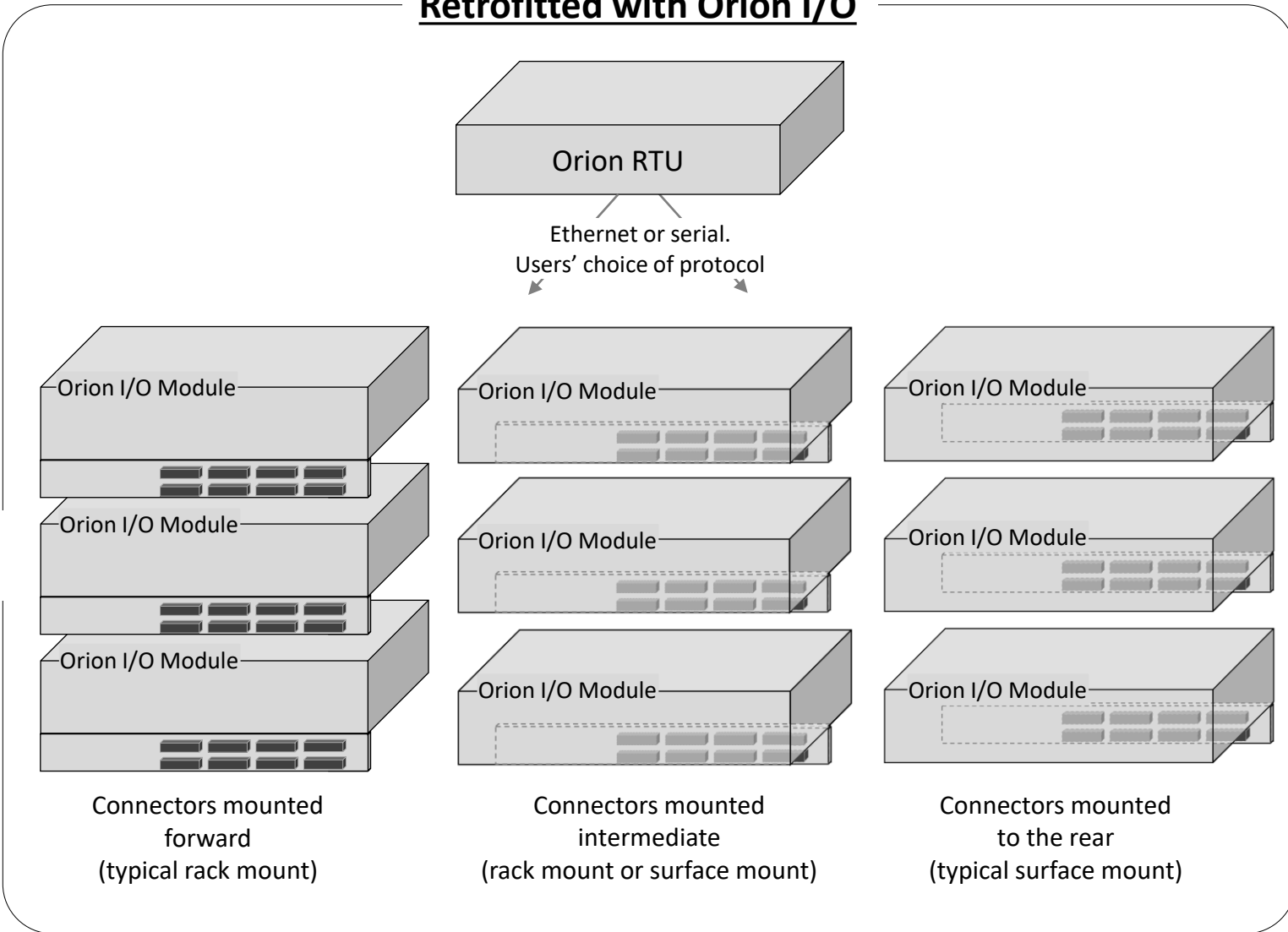
D20 RTU Retrofit Concept

Legacy D20



Field wiring connectors moved from D20 I/O to Orion I/O

Retrofitted with Orion I/O



D20 Retrofit Assemblies in 19" Rack



Replaces D20CD "Combination" card
Orion I/O shown with Advanced User Interface.

Replaces D20SD "Status" Input card.
Orion I/O shown with Advanced User Interface.

Replaces D20KR "Output" card
Orion I/O shown with Standard Faceplate.

D20SD Status Input Card

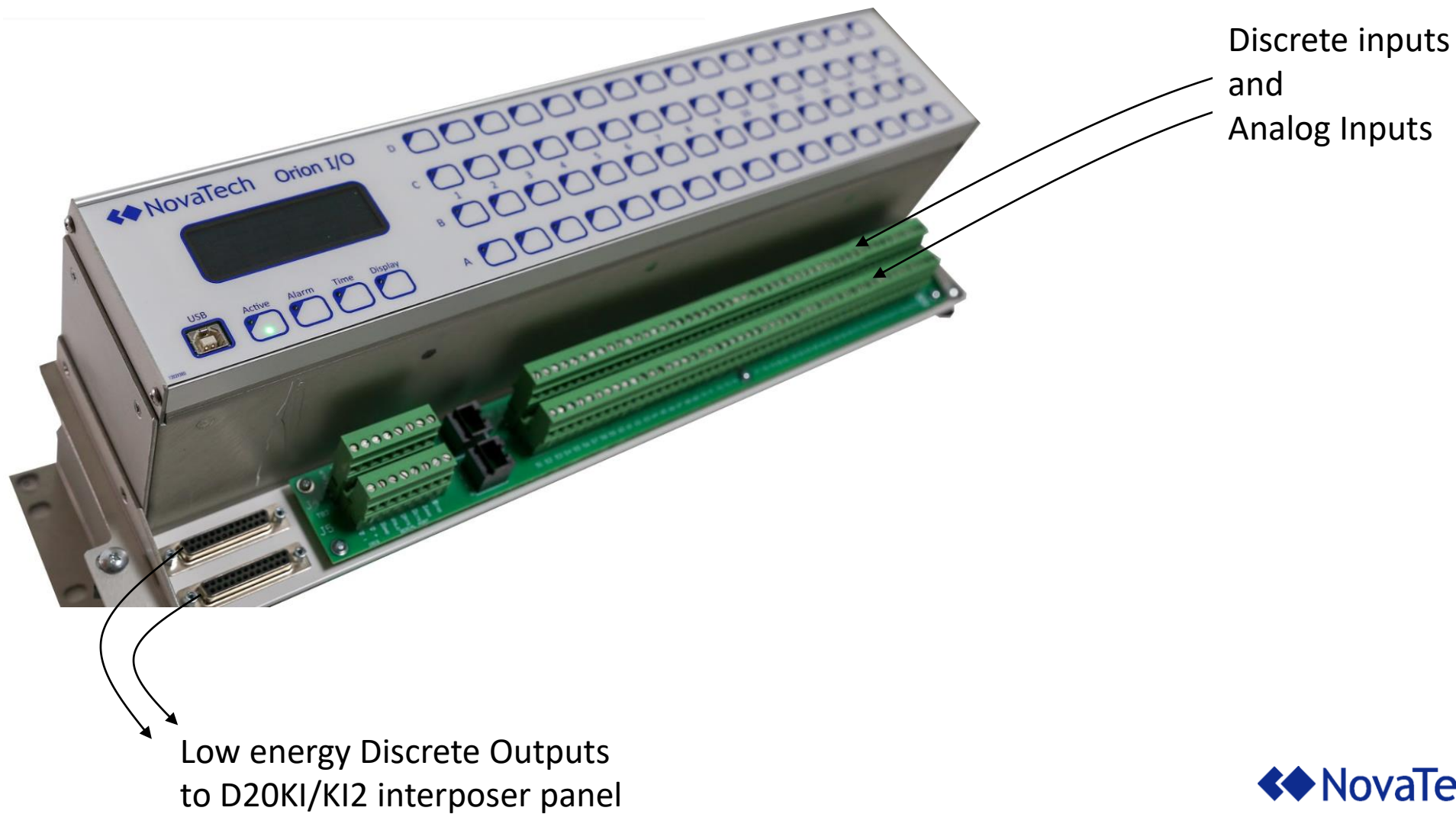


Advanced Point Status and Diagnostics



Retrofit Assembly for:

Model	Connector(s)	Mounting
D20C	Compression to Inputs DB25 to outputs thru interposer panel	Surface

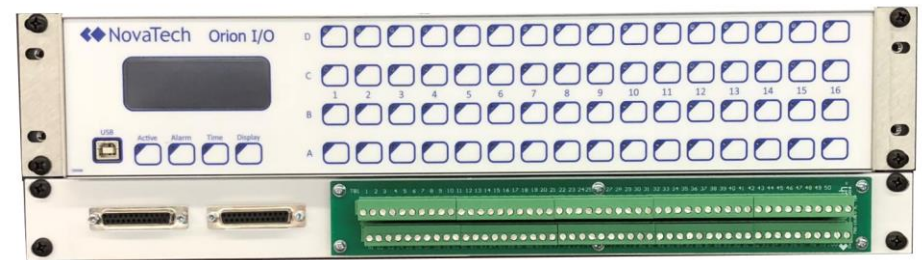
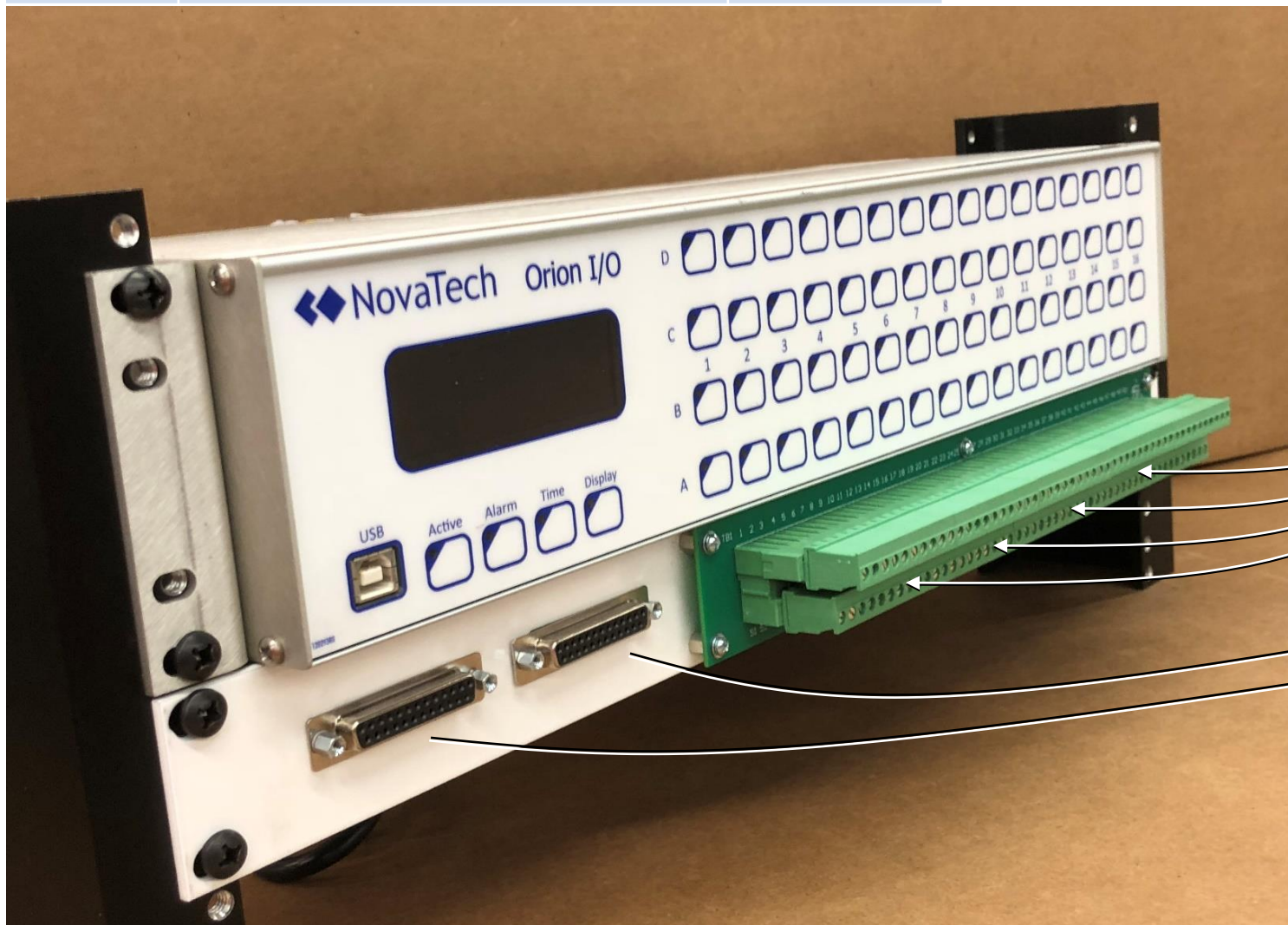


Discrete inputs and Analog Inputs

Low energy Discrete Outputs to D20KI/KI2 interposer panel

Retrofit Assembly for:

Model	Connector(s)	Mounting
D20C	Compression to Inputs DB25 to outputs thru interposer panel	19" Rack



Discrete inputs
and
Analog Inputs

Low energy Discrete Outputs
to D20KI/KI2 interposer panel

Retrofit Assembly for:

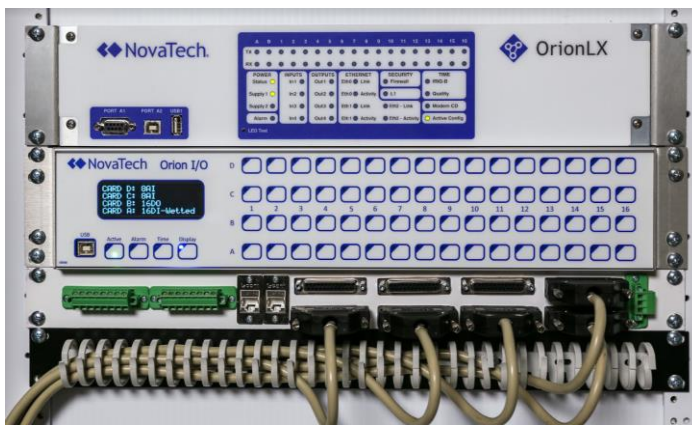
Model	Connector	Mounting
D20S	DB25	Surface



All wiring connections, power connections, serial connections and Ethernet connections made from the front

Retrofit Assembly for:

Model	Connector	Mounting
D20S	DB25	19" Rack



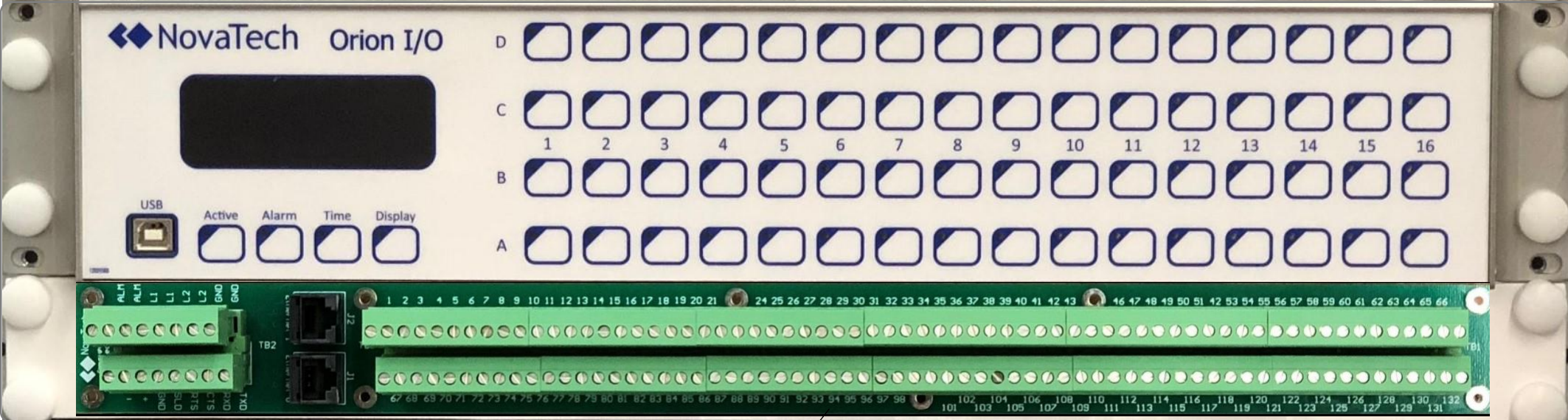
In 19" rack



Note that these connectors are built in but not populated on this 19" rack design. These connectors are populated in the surface mount model

Retrofit Assembly for:

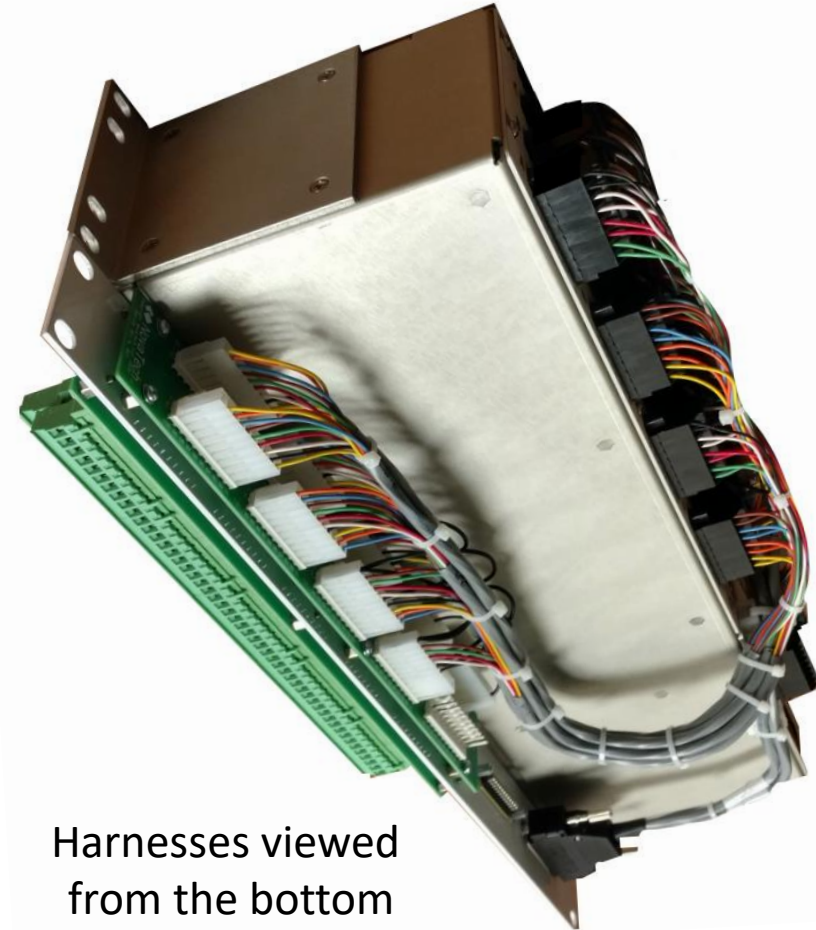
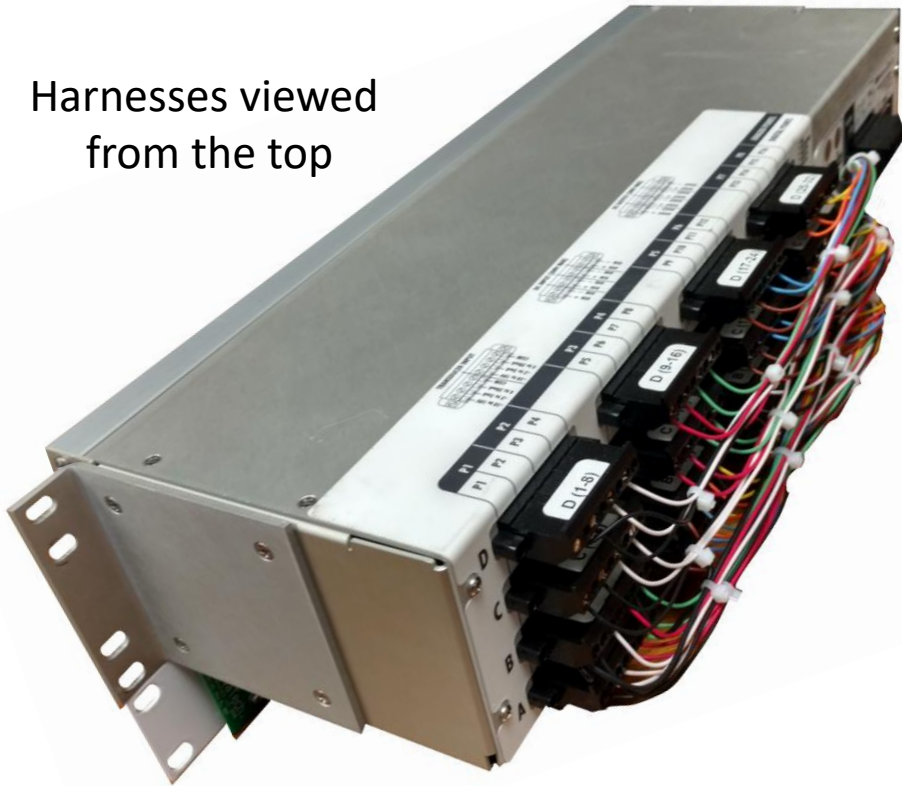
Model	Connector	Mounting
D20S	Compression	19" Rack



Standard-sized connectors for I/O wiring (5.08mm pitch)

Typical Factory-Built Wire Harnesses

Harnesses viewed
from the top



Harnesses viewed
from the bottom

Hinge-mounting Surface Mount Option



Orion I/O with standard faceplate on hinged mount.
Engineering prototype in testing (September 2020)



Thank You

Ray Wright
VP Product Management
Power Products
NovaTech, LLC
1720 Molasses way
Quakertown, PA 18951
610-442-8555
ray.wright@novatechweb.com
www.novatechweb.com

