

Measurement: Volts, Amps, Amps Demand/Max, Power (real, reactive, apparent), Power Factor, Energy and Frequency (all models). Volts Average/Min/Max, Power Average/Min/Max (real, reactive, apparent), Displacement Power Factor and K-Factor (M3 only). Includes many per-phase & total parameters.

Port 1: Optional configurable RS-232/RS-485 serial port or 0-1mA or 4-20mA transducer output (3). All parameters available in network-accessible registers/points.

Port 2: Standard RJ45 10BaseT/100BaseTX Ethernet port that can optionally support Modbus or DNP3 TCP/IP. Optional LC 100BaseFX fiber Ethernet port replaces RJ45 port.

Protocols: Modbus or DNP3 field selectable for optional serial and/or Ethernet port.

Current Inputs: Scaling is field selectable to display primary-side values when connected to CTs. Any custom ratios can be written. Field selectable elements. Optional external split core CTs (three) that replace conventional internal CTs are available.

Voltage Inputs: Scaling is field selectable to display primary-side values when connected to PTs. Any custom ratios can be written. Field selectable elements. Frequency range 45-65Hz.

Auxiliary Power Supply: A universal power supply 48 - 250V dc/55 - 240V ac nominal. An option exists to have the power supply voltage input value monitored and provided as a measurement point for display and/or SCADA output.

Mechanical: 4" round x 6.4" deep case. 4" high x 5.25" wide mounting plate.

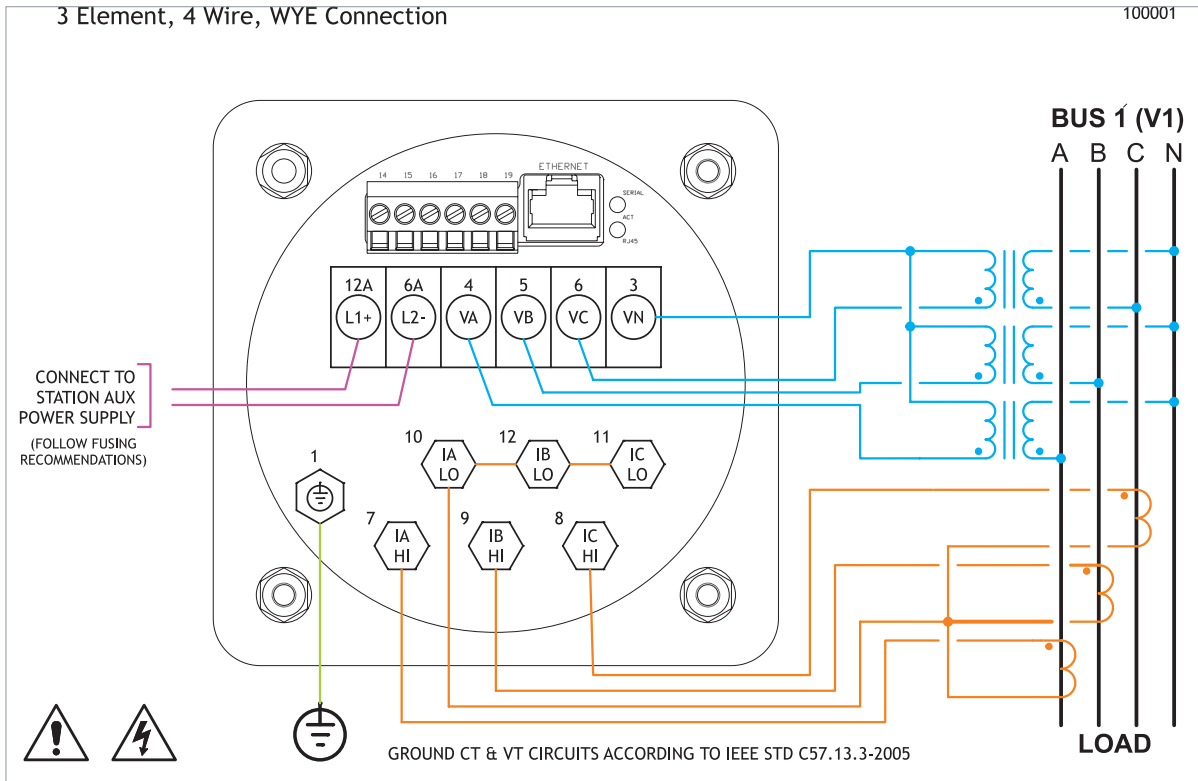
M651 Multifunction Transducer Family

Order Number = Base Model + 4 Option Codes		
Select Base Model		
Transducer type:	Base Model	
Multifunction Standard 3-Phase	M651B3	
Multifunction Advanced 3-Phase	M651M3	
Select Option Codes		
Optional Features	Price Adder	Option Codes
Power Supply		
48-250V dc/55-240V ac	NO	U
48-250V dc/55-240 ac with monitoring (M3 only)	YES	P
Signal Input Range		
120V ac, 0-1 Amps	NO	1
120V ac, 0-5 Amps	NO	5
120V ac, 0-5 Amps Split Core CT (3)	YES	C
Port 1		
None (N/A with Signal Input Range Option C)	NO	0
Serial (Programmable RS-232/RS-485)	YES	1
Transducer (Three 4-20mA passive)	YES	2
Transducer (Three 0-1mA active)	YES	3
Port 2		
Service Only RJ45	NO	0
Ethernet RJ45 10/100Mb, protocols enabled	YES	1
Fiber Ethernet LC 100Mb, protocols enabled (N/A with Signal Input Range Option C)	YES	2

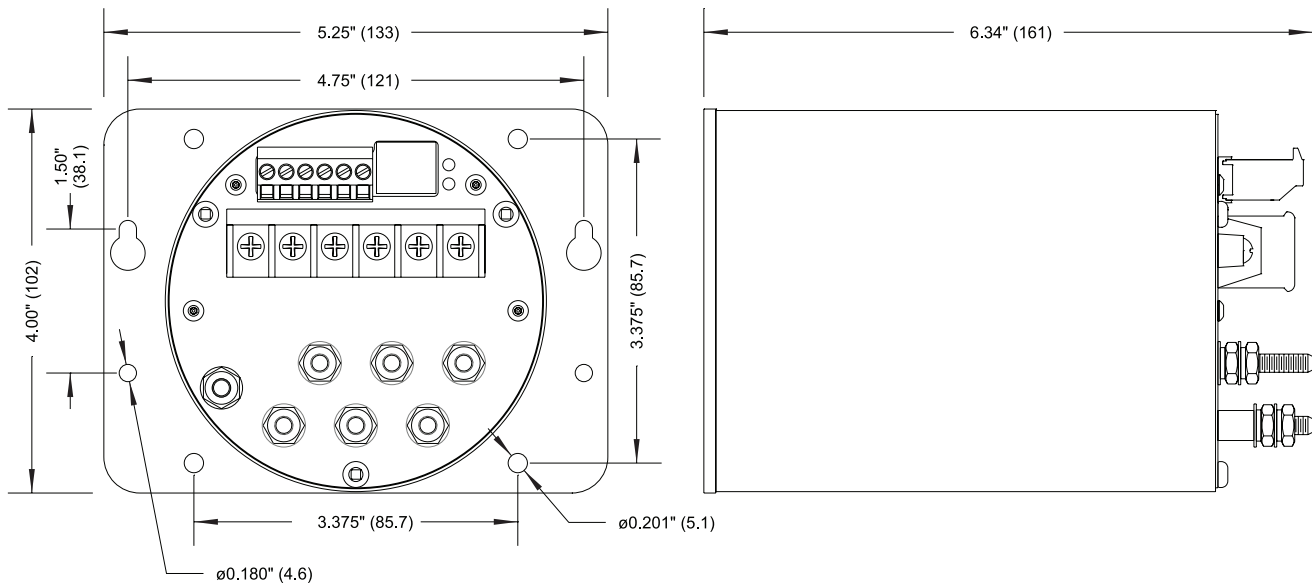
Build order number by choosing base model number and then one new option code selection for each option type. An example: M651M3U510

Note: Default ratios (5:5 CT and 1:1 PT) will be provided.

Optional Accessory for Mounting Split-Core CT		
Optional Feature	Price Adder	Option Codes
End Mount	YES	BRKTMX5XCTEND
Side Mount	YES	BRKTMX5XCTSIDE



Connections to M651 transducers are simple and each M651 transducer can accommodate all wiring configurations. Shown above is the 3 Element, 4 Wire Wye configuration (see M651 User Manual for other configurations).



Contact:

NovaTech, LLC
Bitronics Measurement and Recording
261 Brodhead Road
Bethlehem, PA 18017

T: 610.997.5100
F: 610.997.5450
E: bitronics@novatechweb.com
www.novatechweb.com